

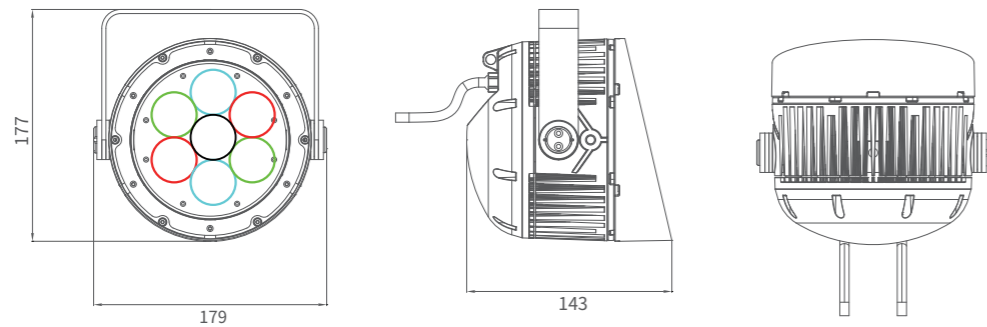
DYNAMIC COLOR

PIXI MINI AM1421XLT/XWT/XAT

Dynamic color spot Light series uses a narrow angle lens to achieve a super narrow output beam angle effect and high luminous intensity. The color of the led chips can be arbitrarily matched to meet the needs of various application scenarios. At the same time, it adopts the CCS3.0 color consistency system and supports RDM function, with IP67 rated is suitable for permanent installation, used in hotel lighting, theme parks, bridge lighting and other lighting projects.



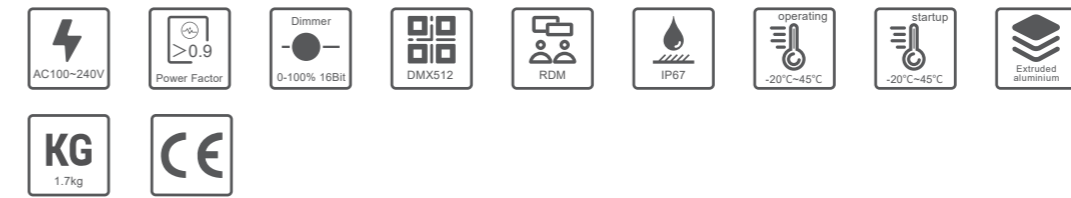
DIMENSIONS



TECHNICAL DATA

PRODUCT	Max.Power	Lumen	Peak Intensity	LED Qty	Optics
PIXI MINI					
AM1421XWT(XLT/XAT)	25W	748lm	24836 cd(6°)	7pcs, R*2, G*2, B*2, W/A/L*1	6°、10°、15°、20°、30°、36°

SPECIFICATIONS



PHOTOMETRIC DATA

PIXI MINI

