

MINI CYC IP

SS364XALM

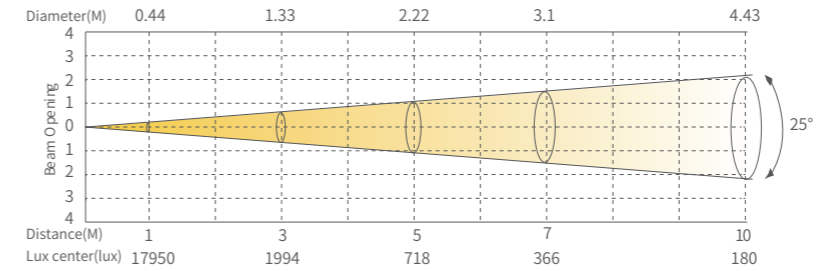


PRODUCT INTRODUCTION

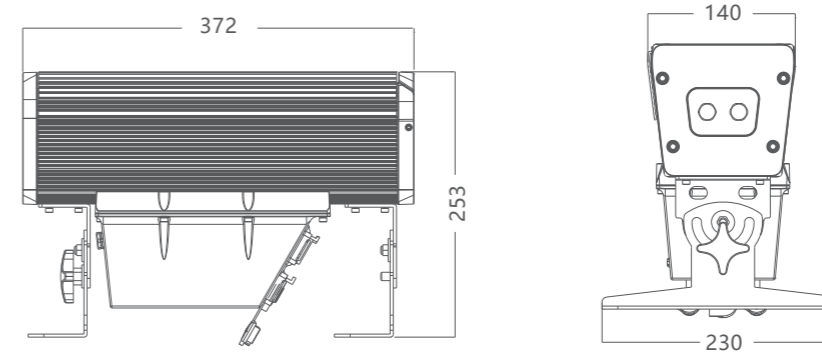
MINI CYC IP is a brand new bar wash lighting with IP65. Break through the traditional Border Light idea. It can be easier to control its colors. MINI CYC IP has outstanding RGBAL mixing optical effects that enables an endless layout of patterns and graphic display. It's color temperature can be easy controlled from 1800K to 8000K, and It's CRI is higher than 90. MINI CYC IP has 25° optical and can be easy to change angle. With HSIC Intelligent mixing color system can be easy mixing any color. MINI CYC IP can also be controlled each single LED independently, and with RDM and ARTNET control protocol. It's design for the cultural tourism market, theme park, outdoor live-action performance, Rental performance market.



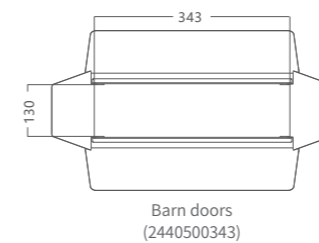
ILLUMINANCE AT DISTANCE



DIMENSIONS



ACCESSORIES (Accessories not included unless otherwise stated)



- Frost filter 30° (2220000329)
- Frost filter 40° (2220000270)
- Frost filter 55° (2220000328)
- Frost filter 60°*10° (2220000272)
- Frost filter 60°*1° (2220000222)

PRODUCT PARAMETERS

Optical system

Light source 4x30W (RGBAL)
 Angle 25°(40°, 40°x20°, 60°x20°optional)
 CCT 1800-10000K
 CRI Ra≥90

Appearance

Size 372x230x253mm
 Weight 7.8kg
 Casing Extruded aluminum
 Color Black

Electrical Specs

Voltage AC100-240V,50/60Hz
 Max. Power 110W
 Power Connection Power in and out
 DMX XLR DMX in and out, RJ45 in and out

Control System

Dimmer 0-100%16Bit
 Cooling Direct Convection
 Control DMX512, RDM, ARTNET, SACN, Web Server

Display On board Control, Custom Mode, 0-25Hz Strobe
 Con Personality HSIC (7CHS) , SSP (8CHS) , TOUR (13CHS) , TR16 (19CHS) , PIEL.1 (15CHS) , PIXEL.2 (23CHS) , PIXEL.3 (20CHS)

Certification

CE, MET

Work Environment

Ambient Temp -20°C-45°C
 IP Rated IP65