

DYNAMIC COLOR

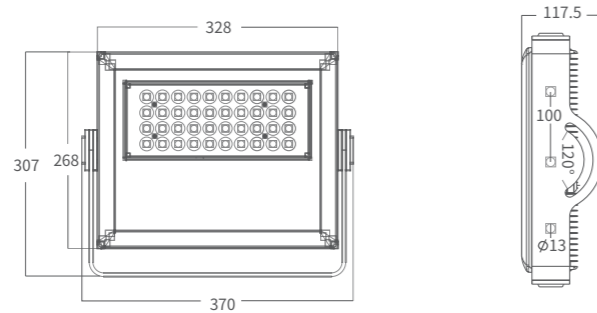
LINX i36

AM724XLT/XWT/XAT

LINX i36 uses a narrow angle lens to achieve a super narrow output beam angle effect and high luminous intensity. The color of the led chips can be arbitrarily matched to meet the needs of various application scenarios. At the same time, it adopts the CCS3.0 color consistency system and supports RDM function, with IP67 rated is suitable for permanent installation, used in hotel lighting, theme parks, bridge lighting and other lighting projects.



DIMENSIONS



TECHNICAL DATA

PRODUCT	Max.Power	Lumen	Peak Intensity	LED Qty	Optics
LINX i36					
AM724XWT(XLT/XAT)	120W	3683lm	182350cd (6°)	36pcs, R*10, G*8, B*8, W/A/L*10	6°, 12°, 15°, 20°, 30°, 36°

SPECIFICATIONS



PHOTOMETRIC DATA

LINX i36

