

DYNAMIC COLOR

LINX i18

AM725XLT/XWT/XAT

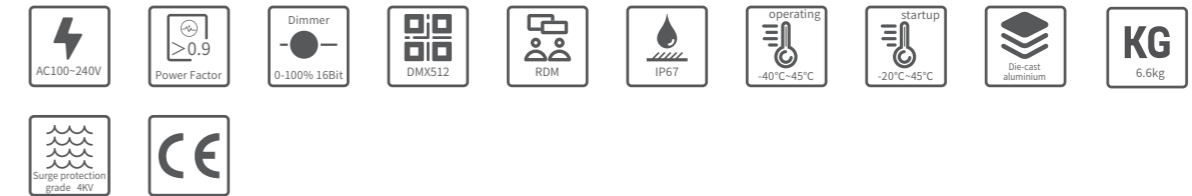
LINX i18 uses a narrow angle lens to achieve a super narrow output beam angle effect and high luminous intensity. The color of the ledchips can be arbitrarily matched to meet the needs of various application scenarios. At the same time, it adopts the CCS3.0 colorconsistency system and supports RDM function, with IP67 rated is suitable for permanent instllation, used in hotel lighting, theme parks, bridge lighting and other lighting projects.



TECHNICAL DATA

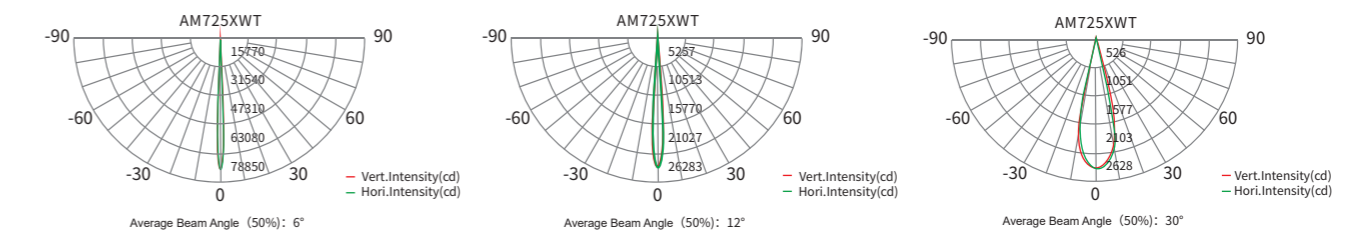
PRODUCT	Max.Power	Lumen	Peak Intensity	LED Qty	Optics
LINX i18					
AM725XWT(XLT/XAT)	60W	1700lm	78850cd (6°)	18pcs, R*5, G*4, B*4, W/A/L*5	6°、12°、15°、20°、30°、36°

SPECIFICATIONS

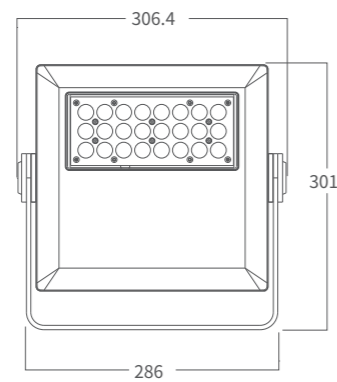
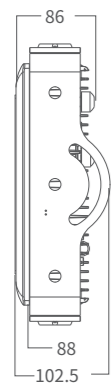


PHOTOMETRIC DATA

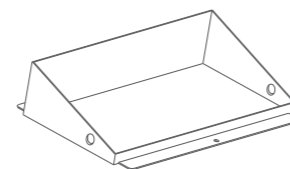
LINX i18



DIMENSIONS



ACCESSORIES



Barn doors
(X40370)

Frost filter 30°
(X40306)