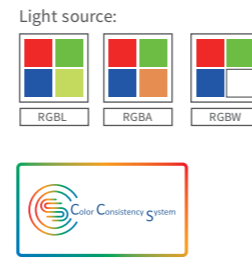


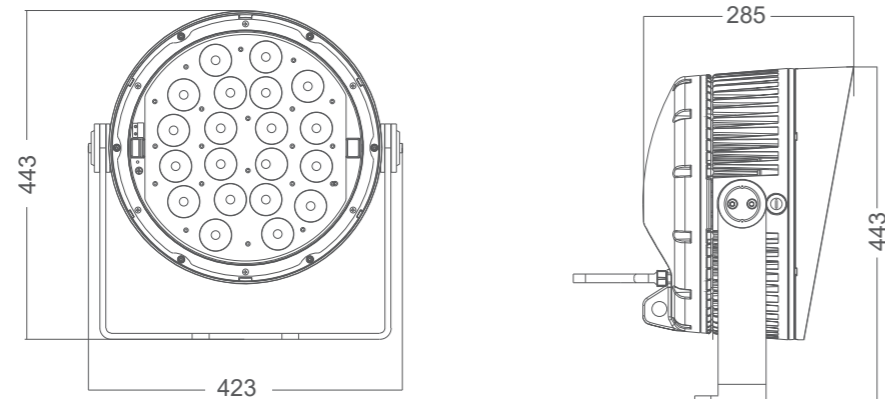
SPOT LIGHT

PIXI MAX AM1461XLET-40020

PIXI MAX is a newly developed RGBL four-in-one high-power spotlight, with a more mixed color and advanced intelligent color management system to better ensure the consistency of the light color. The round design creates a low wind resistance coefficient, small volume and good environmental integration, which meets the requirements of pole installation. With an adjustable hood, RDM bi-directional feedback function, the new spot can provide the real-time feedback for malfunction and working status, reducing the cost for troubleshooting and maintenance. Suitable for landscape lighting projects such as garden, bridges, scenic spots and historical buildings. With color consistency system 3.0, the product can have 24 preset colors to make the color effect quickly and precise, also has CCT function from 1800k to 10000k, to achieve different color temperature effect for clients. Anyway with this new system, we can keep the different batch production with the same colors.



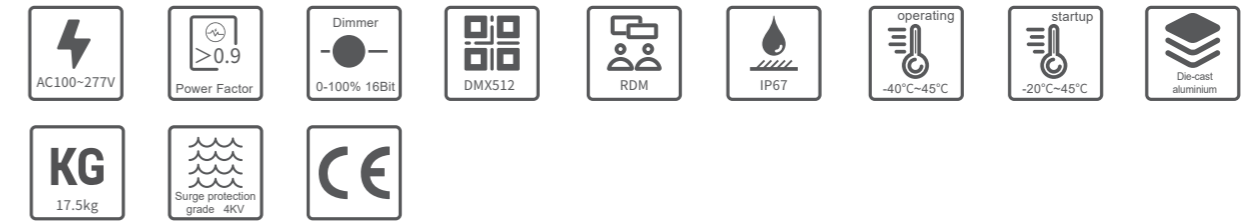
DIMENSIONS



TECHNICAL DATA

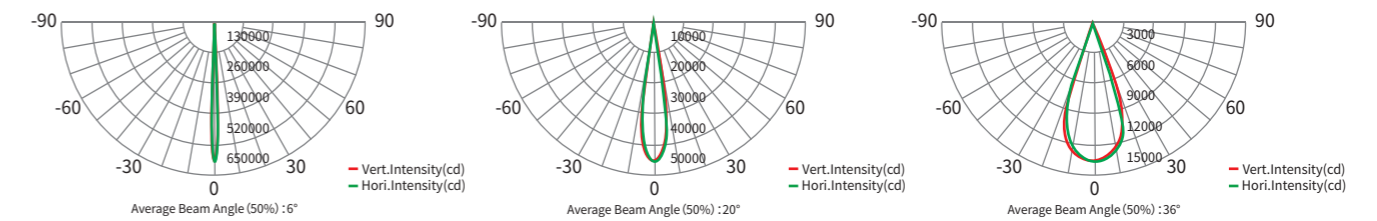
PRODUCT	Max.Power	Lumen	Peak Intensity	LED Qty	Optics
PIXI MAX					
AM1461XLET-40020	400W	11128lm	643485 cd	20PCS 4 in 1 RGBL(RGBA/RGBW)	6°, 10°, 15°, 25°, 30°, 36°

SPECIFICATIONS



PHOTOMETRIC DATA

PIXI MAX



OPTIONAL ACCESSORIES

