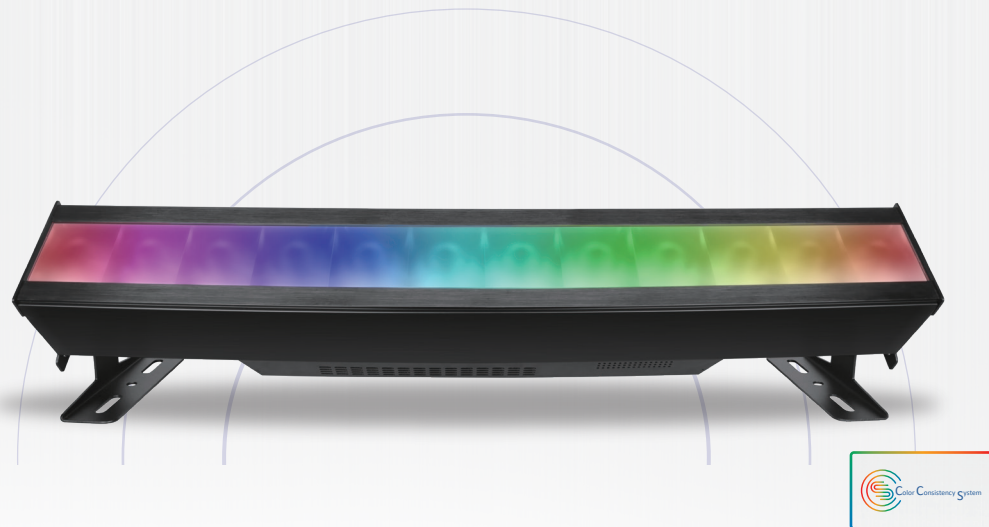


NeoCYC

SS356XAL



PRODUCT INTRODUCTION

The NeoCYC infuse the innovative concept to the traditional Border Light or LED Batten / Bar. With special customized 5 color optics, 12 x 30W powerful modules, it brings endless color possibilities, and extremely even color mixing. Precise preset CCT from 1800-8000K at CRI \geq 90; Applying HSIC color system, individual 12 pixel control, support RDM / ARTNET protocol, terrific silent design, it is a perfect fixture for theatre, TV station, or any professional rental application.

Product parameters

Optical system

Light source	12x30W (RGBAL)
Angle	25°(40°, 40°x20°, 60°x20°optional)
CCT	1800-8000K
CRI	Ra \geq 90
CQS	>90

Appearance

Size	967x230x227mm
Weight	12.5kg
Casing	Extruded aluminum
Color	Black

Electrical Specs

Voltage	100-240VAC,50/60Hz
Max. Power	320W
Power Connection	Power in and out
DMX XLR	DMX in and out, RJ45 in

Control System

Dimmer	0-100%16Bit	Display	On board Control, Custom Mode, 0-25Hz Strobe
Cooling	Direct Convection	Con Personality	HSIC/7CHS ,SSP/8CHS ,TOUR/12CHS ,TR16/18CHS, PIXEL.1/39CHS, PIXEL.2/63CHS
Control	DMX512, RDM, ARTNET, SACN, Web Server		

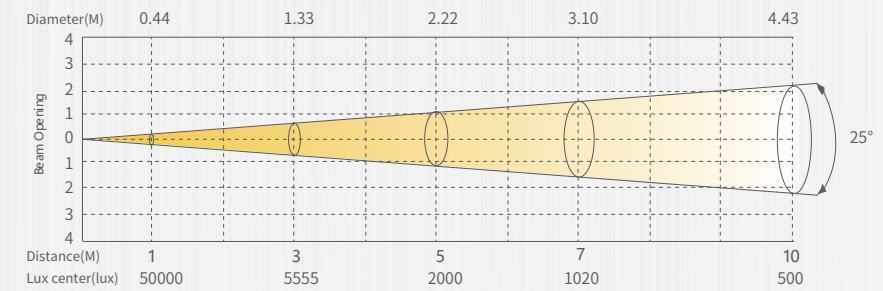
Certification

CE, MET

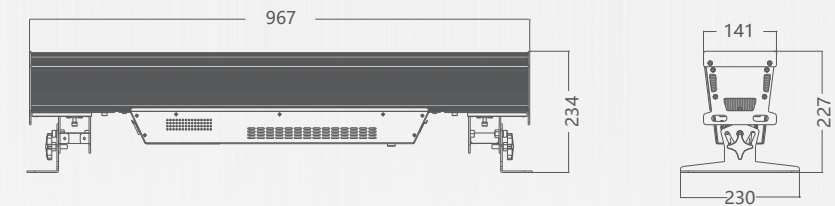
Work Environment

Ambient Temp	0°C-45°C
IP Rated	IP20

ILLUMINANCE AT DISTANCE

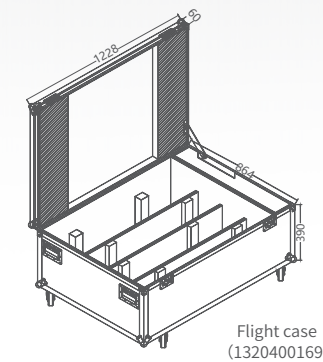


DIMENSIONS



ACCESSORIES

(Accessories not included unless otherwise stated)



Frost filter 60°*10°
(2220000263)

Frost filter 40°*10°
(2220000264)

Frost filter 30°
(2220000167)

Frost filter 40°
(2220000168)

lithium battery
(1160000482)