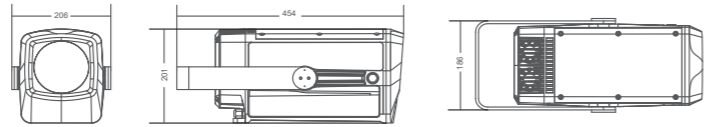




### PRODUCT INTRODUCTION

Eidolon 150C is outdoor waterproof LED projector, waterproof grade is IP66, designed with die-cast aluminum housing and cooling system with fans to ensure the stability of fixture. Equipped with intelligent electronic zoom system, 20°-40° can be linearly adjusted. Built-in 5 color wheels, and 4 rotation gobo wheels. AG1641XALT can achieve wealth of dynamic and colorful effect; Equipped with touch button OLED screen, this product is highly applied to theme park, playground, landmark building, live-action performances and other large and medium-sized venues.

### DIMENSIONAL DRAWING



## Eidolon 150C

### AG1641SCT

### TECHNICAL PARAMETER

Max. Power	150W
Light source	100W
Angle	20°-40°(electronic zoom)
Display	On board control, Static and Custom mode, 0-25Hz Strobe
Con personality	BASIC (CH.11),STANDARD(CH.14)
Rotating Gobo	4 gobo + white, bi-directional rotation
Prism	one 4F prism with bi-directional rotation, speed adjustable
Animation Wheel	Bi-directional rotation, speed adjustable
Focus	Motorized linear focus
Dimensions (L*W*H)	454x206x201mm

### COLORS



### ROTATION GOBO



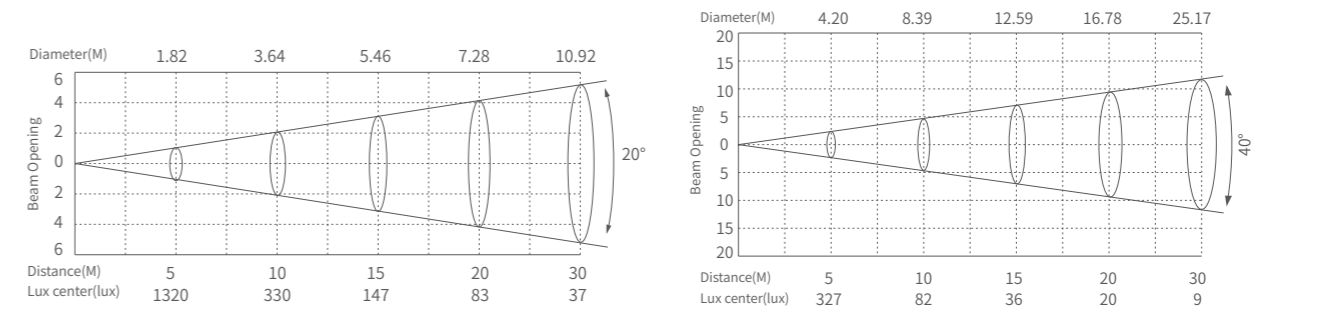
### ANIMATION WHEEL



### SPECIFICATIONS



### ILLUMINANCE AT DISTANCE



### OPTIONAL ACCESSORIES



Wireless Kit  
(2440010465)