

# CAM3/EMZ/ETZ

## SS358XCEM/XCE/XCET



### PRODUCT INTRODUCTION

Following the great successful legend of CAM2/EMZ, CAM3/EMZ has been upgraded to RGBW LEDs, not only help to enrich the color capacities, but also the overall output increase at least 30%. With IP power socket and DMX XLR IP65, CAM3/EMZ is designed for professional rental / Event, temporary outdoor installation.

CAM3/ETZ ,adapting the CAM2/ETZ classic cable whip design, and upgraded the light engine by adding the white LED, not only help to enrich the color capacities, but also the overall output increase at least 30%. It is applicable for indoor/outdoor installation, and medium / small-scaled rental/event/shows.



SS358XCEM



SS358XCE/XCET



### PRODUCT PARAMETERS

#### Optical system

Light source 14x4W(RGBW)  
Angle 16°

#### Appearance

Size 245x246x202mm  
Weight 4.8kg  
Casing Die-cast aluminum  
Color Black

#### Electrical Specs

Voltage 100-240VAC,50/60Hz  
Max. Power 65W  
Power Connection Power in and out  
DMX XLR DMX in and out

#### Control System

Dimmer 0-100%16Bit  
Cooling Direct Convection  
Control DMX512, RDM

Display On board Control, 0-20Hz Strobe, Custom Mode  
Con Personality H5IC(7CHS)、SSP(7CHS)、TOUR(11CHS)、TR16(16CHS)

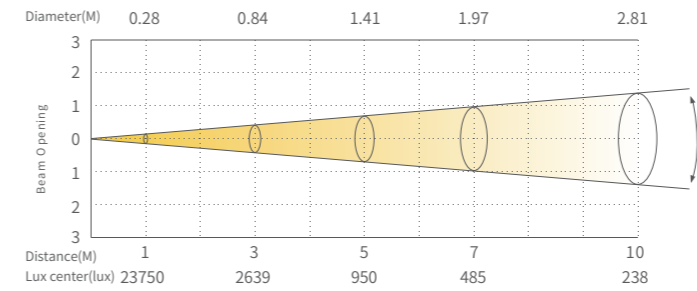
#### Certification

CE、MET

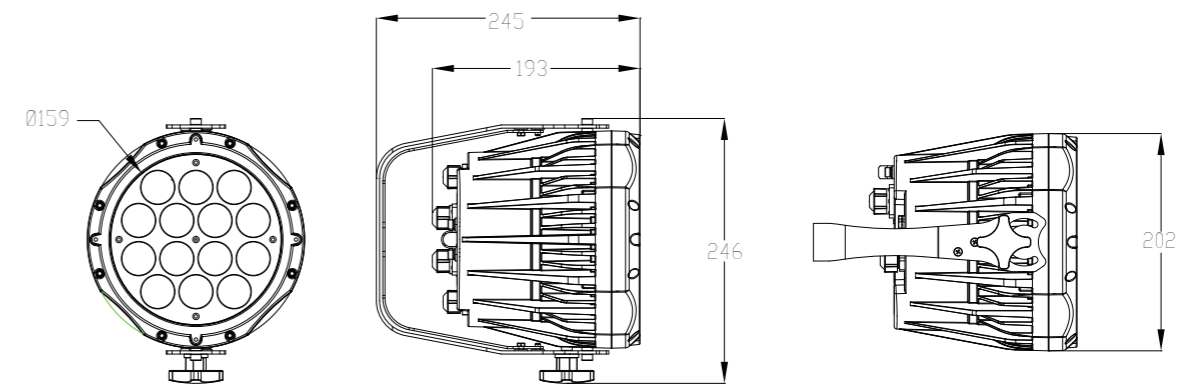
#### Work Environment

Ambient Temp -20°C-45°C  
IP Rated SS358XCEM IP POWER Socket, IP DMX XLR, IP65,  
SS358XCE-Dry Location,  
SS358XCET-Dry/Damp/WetLocation/IP66 (with LED display cover installed)

### ILLUMINANCE AT DISTANCE



### DIMENSIONS



### ACCESSORIES (Accessories not included unless otherwise stated)

