

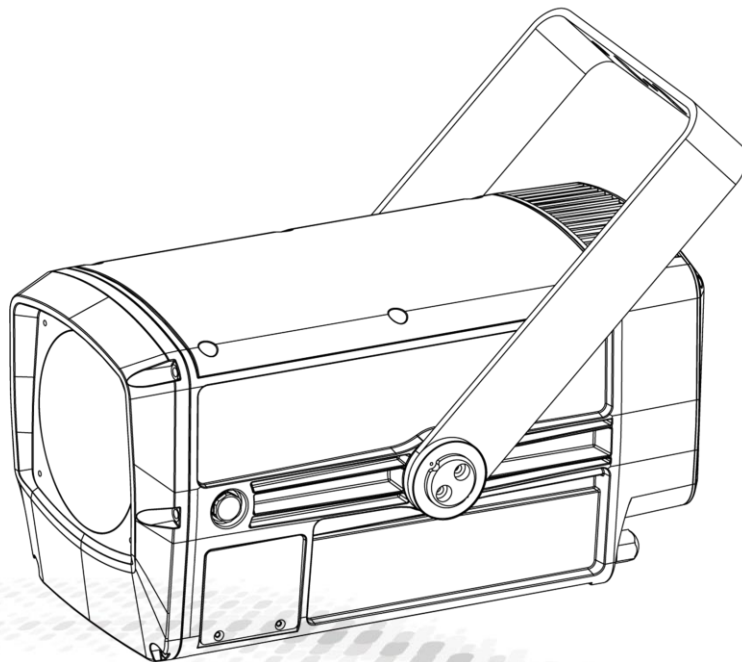


创意源于追求
Own Idea Of Lighting

Eidolon 150C

USER MANUAL

arctik[®] Eidolon 150C
ARCHITECTURAL TECHNOLOGY AG1641



MODEL: AG1641XALT



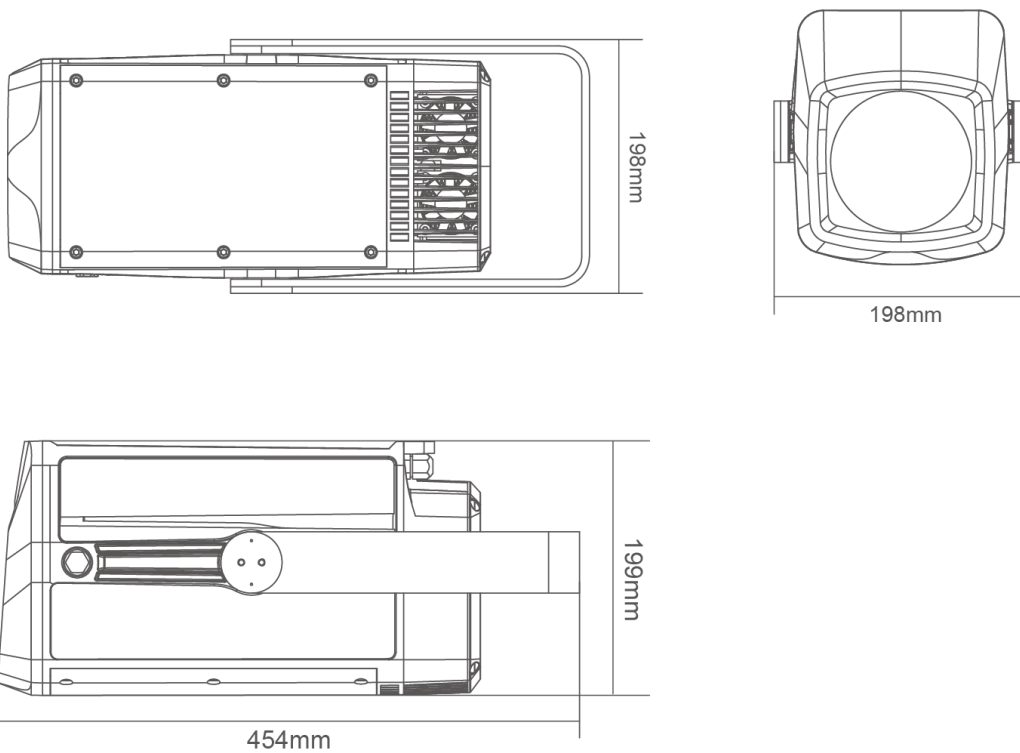
广州市雅江光电设备有限公司
Guangzhou Yajiang Photoelectric Equipment Co., Ltd.
电话/Tel: 020-86947788 邮箱/E-mail: sales@yajiang.cn
传真/Fax: 020-86943773 网址/Website: www.yajiang.cn

1 PRODUCT

1.1 TECHNICAL SPECIFICATIONS

Type	AG1641XALT
LED colors	150W RGBAL LED
Power	170W
Voltage Range	AC100~240V,50/60Hz
Protection	IP66
Operation Temperature	-20°C~45°C
Dimensions	454X198X199mm
Weight	9.2kg

DIMENSIONS



1.2 Safety Notes

IMPORTANT

- This product must be installed by a qualified professional.
- In order to maintain this condition and to ensure a safe operation, it is absolutely necessary for the user to follow the safety instructions and warning notes
- The manufacturer will not accept liability for any resulting damages caused by the non-observance of this manual or any unauthorized modification to the device.

CAUTION!

- Make sure that the available voltage is not higher than stated on the rear panel.
- Do not touch the power cables if your hands are wet.
- The earth wire must always be connected to the ground. Therefore it is essential to connect the yellow/green conductor to earth.
- Make sure that the power-cord is never crimped or damaged by sharp edges. Check the device and the power-cord from time to time. The electric connection, repairs and servicing must be carried out by a qualified employee.
- Always disconnect power input cable to completely remove power from unit when not in use or before cleaning or servicing the fixture.
- Do not switch the fixture on and off in short intervals as this would reduce the lamp's life.
- Do not touch the device's housing bare hands during its operation (housing becomes hot)! The surface of the product's casing can reach up to 70° C (158° F) during operation. Avoid contact by persons and materials. Do not install the product in a location where there is a risk of accidental contact. Allow the product to cool for at least 10 minutes before handling.
- For replacement use lamps and fuses of same type and rating only.
- Please protect the fixture and avoid destroy during transport and installation. If there is any damage to the coating, the shell may be corroded.
- When hanging lamps and lanterns, it is necessary to verify that facilities and hooks can bear at least 10 times the weight of lamps and lanterns.
- Fix the safety rope at the correct holes only. Only operate the fixture after having checked that the housing is firmly closed and all screws are tightly fastened.
- The maximum ambient temperature 45°C must never be exceeded. Do not operate the product if the ambient temperature (Ta) exceeds 45° C (115° F).
- The minimum ambient temperature (Ta min.): -40° C
- When the temperature reaches the above upper limit, the fixture regulates output to protect from overheating.

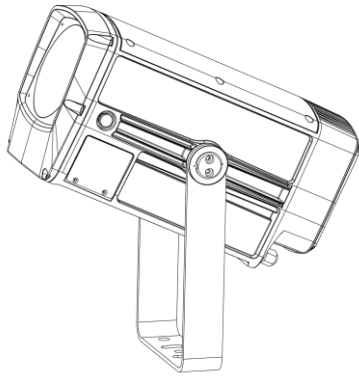
Electrical Warning

- The light source contained in this luminaire shall only be replaced by the manufacturer or his service agent or a similar qualified person.

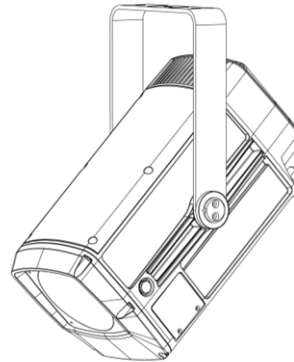
2 INSTALLATION

2.1 MOUNTING

- ◆ The fixture can be mounted in any position.
Always ensure that mounting surface can withstand 10 times the weight of the fixture..
- ◆ Always use a safety cable when mounting the fixture in any elevated position.



UPRIGHT



HANGING

2.2 POWER CONNECTIONS

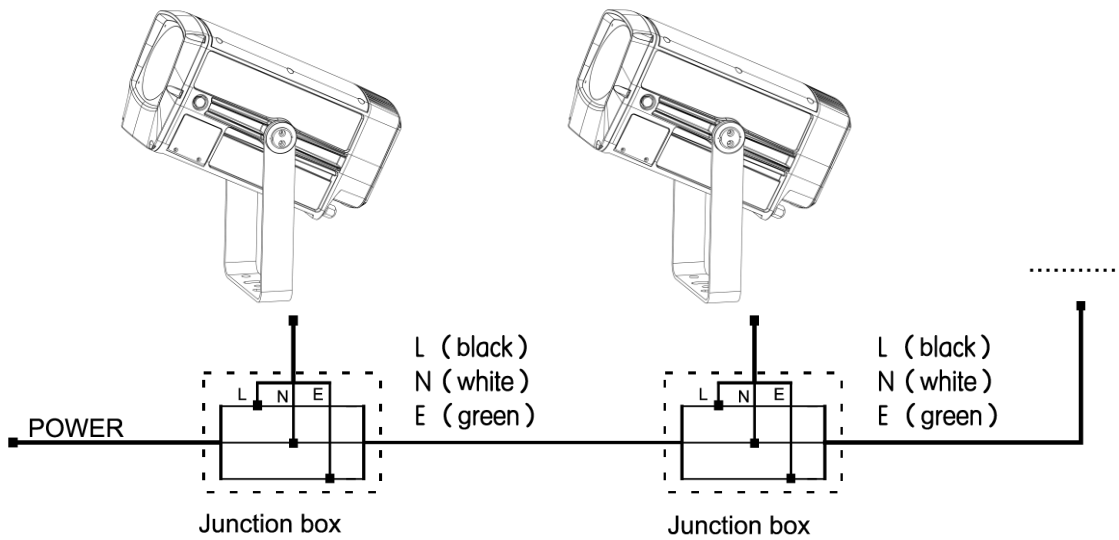
- ◆ This product has an auto-ranging power supply that can work with an input voltage range of 100–240 VAC, 50/60 Hz.

AC Plug

Connection	Wire (U.S.)	Wire(Europe)	Screw Color
AC Live	Black	Brown	Yellow/Brass
AC Neutral	White	Blue	Silver
AC Ground	Green/Yellow	Green/Yellow	Green

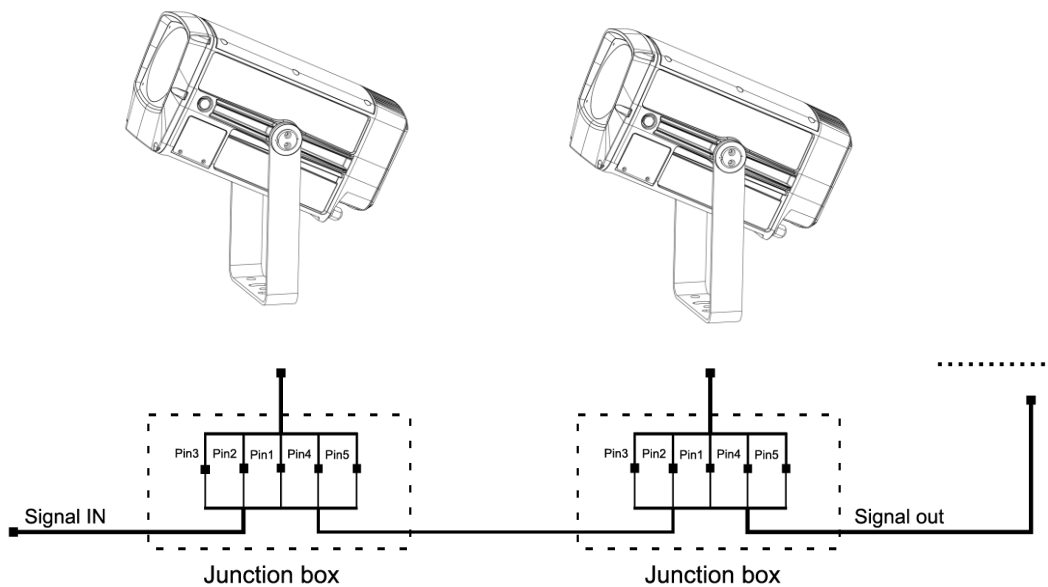
2.3 Power connections

- ◆ This product provides for the use of input power and signal cables are three-core, the connection diagram is as follows



2.4 Signal connections

- ◆ If the signal cable is over 60m between the DMX512 controller and fixture or between two fixtures, then a DMX signal amplifier is needed as well.



3 FUNCTIONS AND SETTINGS

3.1 DISPLAY OPERATION

- ◆ MENU: Used to access the menu or to return a previous menu option;
- ◆ ENTER: Used to select and store the current menu or confirm the current function value or option within a menu;
- ◆ UP: Navigates downwards through the menu list and increases the numeric value when in a function;
- ◆ DOWN: Navigates upwards through the menu list and decreases the numeric value when in a function.

3.2 Menu Map

ADDRESS	001-512 (default 001)		DMX address setting
PERSON	STANDARD (default)		Use the menu to select desired channel mode
	BASIC		
RUN MODE	DMX512 (default)		Select Signal
	AUTO		
	CUSTOM1		
	CUSTOM2		
OPTION	DIMMER	DIM4 (default)	Dimming curves DIM1 (fast) to DIM4 (slow);
		OFF	
DMX ERROR	DMX	SAVE (default)	Hold after loss of DMX signal
	ERROR	BLACK	Blackout after loss of DMX signal
PWM		1200HZ (default)	Sets the PWM frequency
		2400HZ	
		4000HZ	
		6000HZ	
		25000HZ	
PERFORM		LIVE (default)	Automatic rotation of fan
		POWER	Fast rotation of fan, all power
		STUDIO	Fan mode low speed
DISP KEY		ON (default)	Press menu for 5 seconds to input up, down, up, down
		OFF	
DISP TIME		ON	Turns off display backlight after 10s/30s/2min of inactivity
		10s	
		30s (default)	
		2min	
DISP TURN		AUTO	Auto Turn
		OFF	No inversion
LOAD PARA		NO (default)	Upload data

		YES		Not upload data	
SETTING	RECOVERY	****		Restore default factory settings.	
	CLEAN EDIT1	****		Clean customer self-editing scene 1	
	CLEAN EDIT2	****		Clean customer self-editing scene 2	
WDMX RESET	NO (default)		Clear the receiver's message		
	YES		Do not clear the receiver's message.		
SIGNAL	ONLY XLR (default)		ONLY XLR is wire only		
	XLR FIRST		XLR FIRST is wire first		
	ONLY WDMX		ONLY WDMX is wireless only		
	WDMX FIRST		WDMX FIRS is wireless first		
	WDMX TO DMX		WDMX TO DMX is wireless to wired		
LANGUAGE	CHINESE		LANGUAGE		
	ENGLISH (default)				
Color Cali	OFF (default)		Full power		
	User Calibrati on	RED	0-255	Manual fine tuning mode	
		GREEN	0-255		
		BLUE	0-255		
		AMBER	0-255		
		LIME	0-255		
Factory Calibration		Default color temperature 5600k			
EDIT	EDIT 1-2	STEP (01-30)	RED	0-255	Edit the custom programs1-30 Select play 【EDIT 1】 in RUNMOEDE CUSTOM 1; Select play 【EDIT 2】 in RUNMOEDE CUSTOM 2
			GREEN	0-255	
			BLUE	0-255	
			AMBER	0-255	
			LIME	0-255	
			PRESET COLOR	0-255	
			CCT	0-255	
			ROTA GOBO	0-255	
			GOBO ROTA	0-255	
			ANIMATION	0-255	
			ANIMA_ROT	0-255	
			PRISM	0-255	
			FOCUS	0-255	
			ZOOM	0-255	
			DIMMER	0-255	
	STROBE	0-255			
TIME	0-255	0-255(Multiply by 0.1s)			
USE	YES/NO	Run the program			
MANUAL	AUTO TEST		Automatic Testing		

	MANUAL TEST	RED	0-255	Manual control channel
		GREEN	0-255	
		BLUE	0-255	
		AMBER	0-255	
		LIME	0-255	
		PRESET COLOR	0-255	
		CCT	0-255	
		ROTA GOBO	0-255	
		GOBO ROTA	0-255	
		ANIMATION	0-255	
		ANIMA_ROT	0-255	
		PRISM	0-255	
		FOCUS	0-255	
		ZOOM	0-255	
		DIMMER	0-255	
STROBE	0-255			
DEBUG HIDE	YES		Factory testing mode. All stepper motors are not controlled by signal, It only works again after the reset.	
	NO			
RESET	ALL RESET		Select Yes/No to carry out all reset	
	ZOOM/FOCUS SYS		ZOOM/FOCUS reset	
	ANIMATION SYS		ANIMATION reset	
	OTHER			
INFO	FIXTURE HOURS		Hours of fixture use	
	TEMPERATURE		LED temperature	
	VERSION		Software versions	
	RDM		RDM information	
	SYSTEM ERROR	Memory IC		Memory IC
		Angle Sensor		Angle Sensor
		Temperature		Temperature
		RGOBO Reset		RGOBO Reset
		GOBOR Reset		GOBOR Reset
		Animation Reset		Animation Reset
Prism Reset		Prism Reset		
Focus Reset		Focus Reset		
Zoom Reset		Zoom Reset		
SERVICE	****	ROTA. GOBO	±127	Rotate Gobo position fine adjustment
		GOBO. ROTA	±127	Self-rotation position fine adjustment
		ANIMATION	±127	Animation position fine adjustment

		PRISM	±127	Prism 1 position fine adjustment
		FOCUS	±127	Focus position fine adjustment
		ZOOM	±127	Zoom position fine adjustment
CCT	1800K			Preset color temperatures
	2200K			
	2700K			
	3000K			
	3200K			
	4000K			
	4500K			
	5000K			
	5600K			
	6000K			
	6500K			
	7000K			
	8000K			
	10000K			
PRESET COLOR	COLOR 1			Preset color (See Annex I for details)
	COLOR 2			
	...			
	COLOR 48			

All passwords of this product are <UP>, <DOWN>,<UP>, <DOWN>, <ENTER>

4 USING A DMX512 CONTROLLER

4.1 DMX CONTROL

BASIC (CH17)	STANDARD (CH24)	VALUE	FUNCTION
CHANNEL			
1	1	0-255	Master Dimmer
-	2	0-255	Master Dimmer Adjustmen
2	3	0-255	RED
-	4	0-255	RED FINE
3	5	0-255	GREEN
-	6	0-255	GREEN FINE
4	7	0-255	BLUE
-	8	0-255	BLUE FINE
5	9	0-255	AMBER
-	10	0-255	AMBER FINE
6	11	0-255	LIME
-	12	0-255	LIME FINE
7	13	PRESET COLOR	
		0-10	NO FUNCTION
		11-255	PRESET COLOR(see Annex I)
8	14	CCT	
		0-9	NO FUNCTION
		10	1800K
		25	2200K
		40	2700K
		55	3000K
		70	3200K
		85	4000K
		100	4500K
		115	5000K
		130	5600K
		145	6000K
		160	6500K
		175	7000K
		190	8000K
205	10000K		
255	10000K		
9	15	STROBE	
		0-9	NO FUNCTION
		10-99	STROBE (FROM SLOD TO FAST)
		100-109	NO FUNCTION
		110-179	LIGHTNING STROBE

		180-189	NO FUNCTION
		190-255	RANDOM SROBE
10	16	ROTATING GOBO 4+1	
		000-010	ROTATING WHITE
		011-024	ROTATING GOBO 1
		025-038	ROTATING GOBO 2
		039-052	ROTATING GOBO 3
		053-066	ROTATING GOBO 4
		067-080	ROTATING GOBO 1 SHAKE (SPEED 1 → 100%)
		081-094	ROTATING GOBO 2 SHAKE (SPEED 1 → 100%)
		095-108	ROTATING GOBO 3 SHAKE (SPEED 1 → 100%)
		109-122	ROTATING GOBO 4 SHAKE (SPEED 1 → 100%)
		123-127	WHITE
		128-190	ROTATING GOBO FLOWING WATER EFFECT (SPEED 100 → 1%)
		191-192	STOP WATER EFFECT
		193-255	ROTATING GOBO FLOWING WATER EFFECT (SPEED 1 → 100%)
11	17	GOBO ROTATING	
		0-120	ROTATING GOBO ANGLE ADJUSTMENT (0 → 360°)
		121-125	STOP
		126-165	ROTATING GOBO SHAKE (SPEED 1 → 100%)
		166-170	STOP
		171-190	ROTATING GOBO POSITIVE ROTATION (SPEED 100% → 1)
		211-215	STOP
216-255	ROTATING GOBO REVERSE ROTATION (SPEED 1 → 100%)		
12	18	Dynamic Effect wheel Location	
		0-255	Dynamic Effect wheel Location
13	19	Dynamic Effect wheel Autorotation	
		0-10	White
		11-131	Dynamic Effect Wheel Flow Effect, Clockwise, fast to slow
		132-134	Stop
135-255	Dynamic Effect Wheel Flow Effect, Anticlockwise, slow to fast		
14	20	PRISM	
		0-10	WHITE
		11-155	PRISM INSERT AND ADJUST THE ANGLE (0 → 360°)
		156-157	STOP
		158-205	PRISM INSERT AND POSITIVE ROTATION (SPEED 100% → 1)
		206-207	STOP ROTATION
208-255	PRISM INSERT AND REVERSE ROTATION (SPEED 1 → 100%)		
15	21	0-255	FOCUS
-	22	0-255	FOCUS FINE
16	23	0-255	ZOOM
17	24	CONTROL (EXECUTE AFTER 3 SECONDS)	
		000-010	NO FUNCTION
		011-060	RESERVED
		061-070	LIVE

	071-080	STUDIO
	081-090	POWER
	091-100	RESERVED
	101-110	DIMMER OFF
	111-120	DIMMER DIM4
	121-150	RESERVED
	151-160	1200Hz
	161-170	2400Hz
	171-180	4000Hz
	181-190	6000Hz
	191-200	25000Hz
	201-210	ALL RESET
	211-220	RESERVED
	221-230	ZOOM/FOCUS RESET
	231-240	PRISM/EFFECT WHEEL RESET
	241-255	RESERVED

Annex 1

PRESET COLOR	Value	Color Names		x	y
	0-10	NO FUNCTION			
COLOR 1	11-15	L176	Loving Amber	0.407	0.321
COLOR 2	16-20	R40	Light Salmon	0.499	0.321
COLOR 3	21-25	L24	Scarlet	0.561	0.296
COLOR 4	26-30	L164	Flame Red	0.659	0.302
COLOR 5	31-35	L747	Easy White	0.389	0.344
COLOR 6	36-40	R303	Warm Peach	0.448	0.353
COLOR 7	41-45	L08	Dark Salmon	0.498	0.347
COLOR 8	46-50	L25	Sunset Red	0.566	0.359
COLOR 9	51-55	L04	Medium Bastard Amber	0.37	0.335
COLOR 10	56-60	L237	CID(To Tungsten)	0.43	0.365
COLOR 11	61-65	R321	Soft Golden Amber	0.477	0.406
COLOR 12	66-70	L652	Urban Sodium	0.535	0.399
COLOR 13	71-75	L212	LCT Yellow(Y1)	0.34	0.363
COLOR 14	76-80	L765	LEE Yellow	0.389	0.412
COLOR 15	81-85	L513	Ice And A Slice	0.38	0.447
COLOR 16	86-90	L100	Spring Yellow	0.41	0.502
COLOR 17	91-95	L244	LEE Plus Green	0.324	0.388
COLOR 18	96-100	R4430	CalColor 30 Green	0.318	0.44
COLOR 19	101-105	L122	Fern Green	0.234	0.543
COLOR 20	106-110	L90	Dark Yellow Green	0.184	0.641
COLOR 21	111-115	L243	LEE Fluorescent3600K	0.286	0.37
COLOR 22	116-120	R92	Tuiquoise	0.235	0.36
COLOR 23	121-125	R94	Kelly Green	0.185	0.459
COLOR 24	126-130	L327	Forest Green	0.162	0.496
COLOR 25	131-135	L191	Cosmetic Aqua Blue	0.3	0.318
COLOR 26	136-140	L728	Steel Green	0.256	0.302
COLOR 27	141-145	L117	Steel Blue	0.223	0.278
COLOR 28	146-150	L354	Special Steel Blue	0.173	0.265
COLOR 29	151-155	L53	Paler Lavender	0.284	0.284
COLOR 30	156-160	L501	New Colour Blue	0.246	0.249
COLOR 31	161-165	L174	Dark Steel Blue	0.204	0.205
COLOR 32	166-170	L165	Daylight Blue	0.159	0.158
COLOR 33	171-175	L136	Pale Lavender	0.288	0.254
COLOR 34	176-180	L194	Surprise Pink	0.24	0.183
COLOR 35	181-185	L142	Pale Violet	0.209	0.148
COLOR 36	186-190	L700	Perfect Lavender	0.177	0.07
COLOR 37	191-195	L35	Light Pink	0.335	0.289
COLOR 38	196-200	L794	Pretty'n Pink	0.335	0.251
COLOR 39	201-205	L328	Follies Pink	0.335	0.18
COLOR 40	206-210	L795	Magical Magenta	0.327	0.138
COLOR 41	211-215	L154	Pale Rose	0.35	0.318
COLOR 42	216-220	L127	Smokey Pink	0.397	0.265
COLOR 43	221-225	L192	Flesh Pink	0.41	0.237
COLOR 44	226-230	L332	Special Rose Pink	0.465	0.193
COLOR 45	231-235	L790	Moroccan Pink	0.378	0.324
COLOR 46	236-240	L157	Pink	0.457	0.272
COLOR 47	241-245	R332	Cherry Rose	0.489	0.295
COLOR 48	246-250	L128	Cool LED Bright Pink	0.57	0.263
	251-255	NO FUNCTION			