

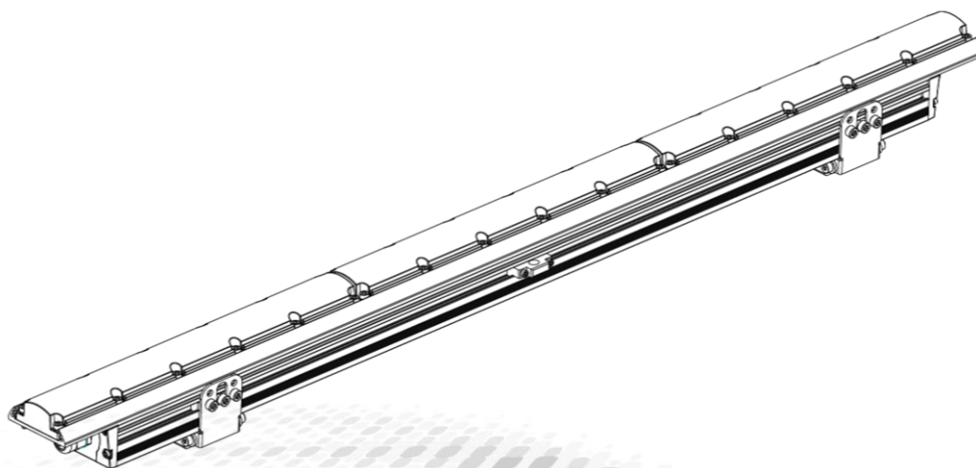


创意源于追求
Own Idea Of Lighting

GRAZE 27Q

USER MANUAL

arctik[®] GRAZE 27Q
ARCHITECTURAL TECHNOLOGY AM713



MODEL: AM713XCET/XLET



广州市雅江光电设备有限公司
Guangzhou Yajiang Photoelectric Equipment Co., Ltd.
电话/Tel: 020-86947788 邮箱/E-mail: sales@yajiang.cn
传真/Fax: 020-86943773 网址/Website: www.yajiang.cn

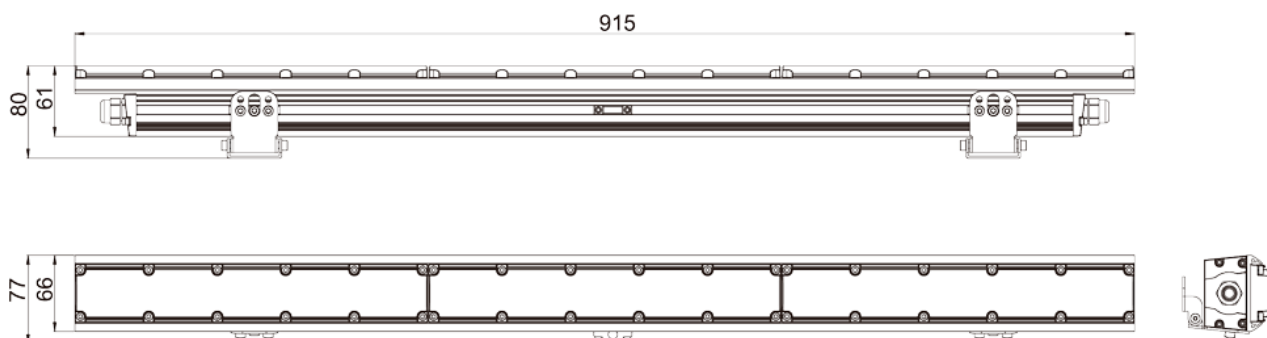
Since 1985

1 PRODUCT

1.1 TECHNICAL SPECIFICATIONS

Type	AM713XCET	AM713XLET
LED QTY	RGBW 4in1x27PCS	RGBL 4in1x27PCS
Power	60W	60W
Voltage Range	AC100~240V,50/60Hz	AC100~240V,50/60Hz
Protection	IP66	IP66
Operation Temperature	-20°C~45°C	-20°C~45°C
Dimensions	915x77x80mm	915x77x80mm
Weight	3.2kg	3.2kg

DIMENSIONS



1.2 Safety Notes

IMPORTANT

- This product must be installed by a qualified professional.
- In order to maintain this condition and to ensure safe operation, it is absolutely necessary for the user to follow the safety instructions and warning notes
- The manufacturer will not accept liability for any resulting damages caused by the non-observance of this manual or any unauthorized modification to the device.

CAUTION!

- Make sure that the available voltage is not higher than stated on the rear panel.
- Do not touch the power cables if your hands are wet.
- The earth wire must always be connected to the ground. Therefore it is essential to connect the yellow/green conductor to earth.
- Make sure that the power-cord is never crimped or damaged by sharp edges. Check the device and the power-cord from time to time. The electric connection, repairs and servicing must be carried out by a qualified employee.
- Always disconnect power input cable to completely remove power from unit when not in use or before cleaning or servicing the fixture.
- Do not switch the fixture on and off in short intervals as this would reduce the lamp's life.
- Do not touch the device's housing bare hands during its operation (housing becomes hot) The surface of the product's casing can reach up to 70° C (158° F) during operation. Avoid contact by persons and materials. Do not install the product in a location where there is a risk of accidental contact. Allow the product to cool for at least 10 minutes before handling.
- For replacement use lamps and fuses of same type and rating only.
- Please protect the fixture and avoid destroy during transport and installation. If there is any damage to the coating, the shell may be corroded.
- When hanging lamps and lanterns, it is necessary to verify that facilities and hooks can bear at least 10 times the weight of lamps and lanterns.
- Fix the safety rope at the correct holes only. Only operate the fixture after having checked that the housing is firmly closed and all screws are tightly fastened.
- The maximum ambient temperature 45°C must never be exceeded. Do not operate the product if the ambient temperature (Ta) exceeds 45° C (115° F).
- The minimum ambient temperature (Ta min.): -40° C
- When the temperature reaches the above upper limit, the fixture regulates output to protect from overheating .

Electrical Warning

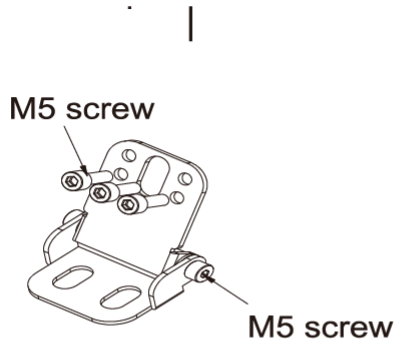
- The light source contained in this luminaire shall only be replaced by the manufacturer or his service agent or a similar qualified person.

2 INSTALLATION

2.1 MOUNTING

Installation procedure

- ◆ We will install the slider frame and the lamp body with MS screw on the lock, and the slider to adjust to the appropriate position, and then tighten the screw.
- ◆ Fix the lamp with MB screws on the wall, then adjust the angle of the lamp body, and finally lock the MS screws on both sides of the mounting frame.

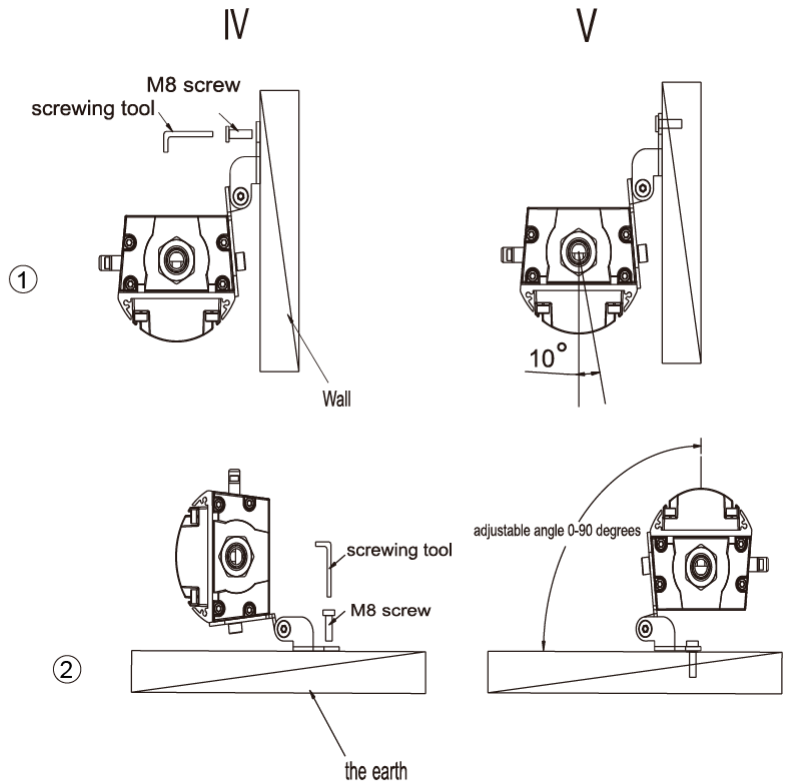


mounting rack

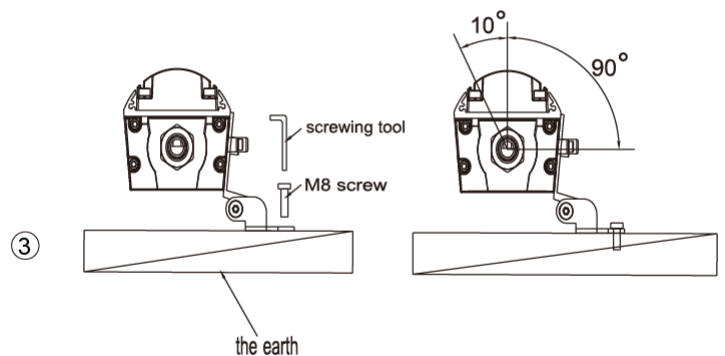
II



III



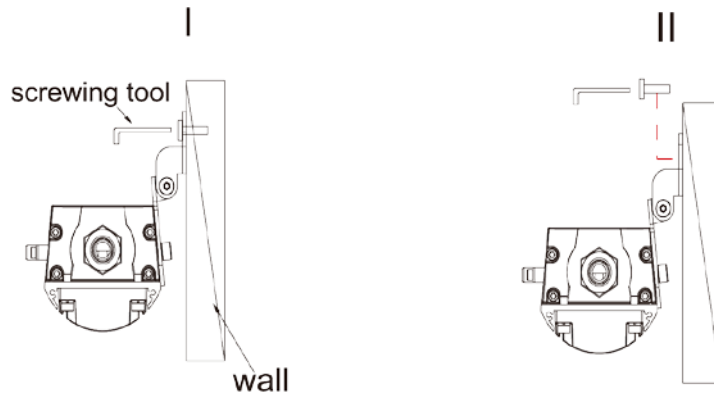
2) When the mounting frame and the lamp body are connected with the M5 screw lock at the upper hole, the left and right swing angle can reach the maximum: left 90 degrees, right 25 degrees.



3) When the mounting frame and the lamp body are connected with the M5 screw lock at the upper hole, the left and right swing angle can reach the maximum: left 25 degrees, right 90 degrees.

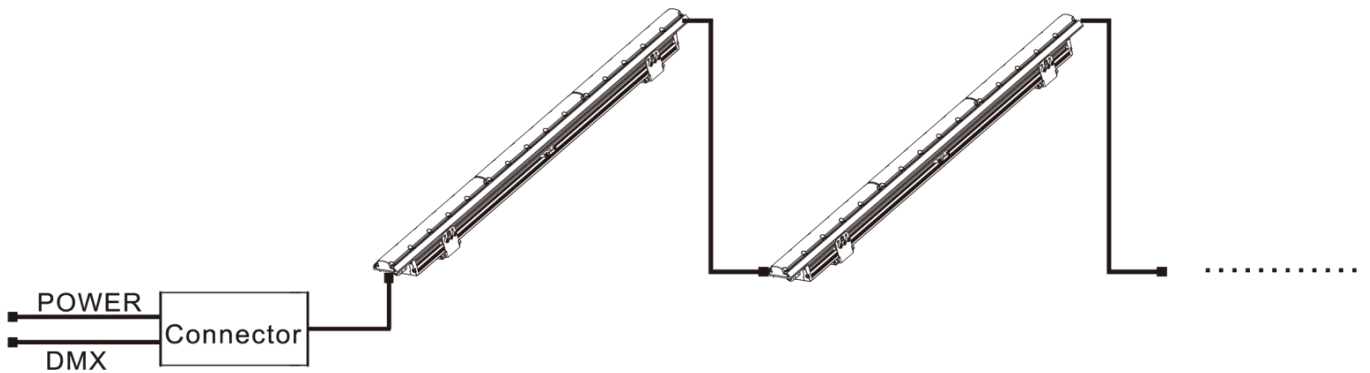
Remove procedure

- ◆ First release the M5 screws on both sides of the mounting frame and adjust the angle of the lamp body
- ◆ Remove the screws from the wall and remove the lamp body.



2.2 POWER & SIGNAL CONNECTIONS

- ◆ The power cable is 0.75mm² copper-core. See the connection diagram as follows:



- ◆ Using the Connector with 220V, no more than 15; Using the Connector with 110V, no more than 8.

3 USING A DMX512 CONTROLLER

3.1 DMX CONTROL

Note: This product has eight DMX512 channel configurations: ARC1,ARC1+D,ARC2,ARC2+D,SOLID, ARC FULL,SPECIAL2,SPECIAL1.

DMX Modes		SOLID	ARC1	ARC1+D	ARC2	ARC2+D
CHANNEL	VALUE	FUNCTION				
1	0-255	ALL LED	RED	DIMMER	RED	DIMMER
2	0-255		GREEN	RED	GREEN	RED
3	0-255		BLUE	GREEN	BLUE	GREEN
4	0-255			BLUE	WHITE/LIME	BLUE
5	0-255					WHITE/LIME

ARC FULL	SPECIAL2	VALUE	FUNCTION
CHANNEL			
1	1	0-255	DIMMER
2	2	0-255	RED
3	3	0-255	GREEN
4	4	0-255	BLUE
-	5	0-255	WHITE/LIME
5	6	PRESET COLOR	
		0-10	NO FUNCTION
		11-255	PRESET COLOR (see Annex I)
6	7	CCT	
		0-9	NO FUNCTION
		10	1800K
		10-25	1800-2200K Linear transition
		25	2200K
		25-40	2200-2700K Linear transition
		40	2700K
		40-55	2700-3000K Linear transition
		55	3000K
		55-70	3000-3200K Linear transition
		70	3200K
		70-85	3200-4000K Linear transition
		85	4000K
		85-100	4000-4500K Linear transition
		100	4500K
		100-115	4500-5000K Linear transition
		115	5000K
115-130	5000-5600K Linear transition		
130	5600K		
130-145	5600-6000K Linear transition		
145	6000K		

		145-160	6000-6500K Linear transition
		160	6500K
		160-175	6500-7000K Linear transition
		175	7000K
		175-190	7000-8000K Linear transition
		190	8000K
		190-205	8000-10000K Linear transition
		205-255	10000K
7	8	0-9	NO FUNCTION
		10-255	1-25Hz
8	9	CONTROL (EXECUTE AFTER 3 SECONDS)	
		000-010	NO FUNCTION
		011-100	RESERVED
		101-110	DIMMER OFF
		111-120	DIMMER DIM4
		121-255	RESERVED

SPECIAL1		
CHANNEL	VALUE	FUNCTION
1	0-255	DIMMER
2	0-9	NO FUNCTION
	10-255	1-25Hz
3	CONTROL (EXECUTE AFTER 3 SECONDS)	
	000-010	NO FUNCTION
	011-100	RESERVED
	101-110	DIMMER OFF
	111-120	DIMMER DIM4
	121-255	RESERVED
4	0-255	RED(COUPLE OF LIGHT 1)
5	0-255	GREEN(COUPLE OF LIGHT 1)
6	0-255	BLUE(COUPLE OF LIGHT 1)
7	0-255	WHITE/LIME (COUPLE OF LIGHT 1)
8	0-255	RED(COUPLE OF LIGHT 2)
9	0-255	GREEN(COUPLE OF LIGHT 2)
10	0-255	BLUE(COUPLE OF LIGHT 2)
11	0-255	WHITE/LIME (COUPLE OF LIGHT 2)
12	0-255	RED(COUPLE OF LIGHT 3)
13	0-255	GREEN(COUPLE OF LIGHT 3)
14	0-255	BLUE(COUPLE OF LIGHT 3)
15	0-255	WHITE/LIME (COUPLE OF LIGHT 3)

Annex 1

PRESET COLOR	Value	Color Names	x	y	
	0-10	NO FUNCTION			
	11-15	RESERVE	Loving Amber	0.407	0.321
COLOR 1	16-20	R40	Light Salmon	0.499	0.321
COLOR 2	21-25	L24	Scarlet	0.561	0.296
COLOR 3	26-30	L164	Flame Red	0.659	0.302
	31-35	RESERVE	Easy White	0.389	0.344
	36-40	RESERVE	Warm Peach	0.448	0.353
COLOR 4	41-45	L08	Dark Salmon	0.498	0.347
COLOR 5	46-50	L25	Sunset Red	0.566	0.359
	51-55	RESERVE	Medium Bastard Amber	0.37	0.335
COLOR 6	56-60	L237	CID(To Tungsten)	0.43	0.365
COLOR 7	61-65	R321	Soft Golden Amber	0.477	0.406
COLOR 8	66-70	L652	Urban Sodium	0.535	0.399
	71-75	RESERVE	LCT Yellow(Y1)	0.34	0.363
COLOR 9	76-80	L765	LEE Yellow	0.389	0.412
COLOR 10	81-85	L513	Ice And A Slice	0.38	0.447
	86-90	RESERVE	Spring Yellow	0.41	0.502
	91-95	RESERVE	LEE Plus Green	0.324	0.388
	96-100	RESERVE	CalColor 30 Green	0.318	0.44
	101-105	RESERVE	Fern Green	0.234	0.543
COLOR 11	106-110	L90	Dark Yellow Green	0.184	0.641
	111-115	RESERVE	LEE Fluorescent3600K	0.286	0.37
COLOR 12	116-120	R92	Tuiquoise	0.235	0.36
	121-125	RESERVE	Kelly Green	0.185	0.459
	126-130	RESERVE	Forest Green	0.162	0.496
	131-135	RESERVE	Cosmetic Aqua Blue	0.3	0.318
COLOR 13	136-140	L728	Steel Green	0.256	0.302
COLOR 14	141-145	L117	Steel Blue	0.223	0.278
COLOR 15	146-150	L354	Special Steel Blue	0.173	0.265
	151-155	RESERVE	Paler Lavender	0.284	0.284
COLOR 16	156-160	L501	New Colour Blue	0.246	0.249
COLOR 17	161-165	L174	Dark Steel Blue	0.204	0.205
	166-170	RESERVE	Daylight Blue	0.159	0.158
	171-175	RESERVE	Pale Lavender	0.288	0.254
	176-180	RESERVE	Surprise Pink	0.24	0.183
COLOR 18	181-185	L142	Pale Violet	0.209	0.148
	186-190	RESERVE	Perfect Lavender	0.177	0.07
	191-195	RESERVE	Light Pink	0.335	0.289
COLOR 19	196-200	L794	Pretty'n Pink	0.335	0.251
COLOR 20	201-205	L328	Follies Pink	0.335	0.18
	206-210	RESERVE	Magical Magenta	0.327	0.138
	211-215	RESERVE	Pale Rose	0.35	0.318
COLOR 21	216-220	L127	Smokey Pink	0.397	0.265
COLOR 22	221-225	L192	Flesh Pink	0.41	0.237
	226-230	RESERVE	Special Rose Pink	0.465	0.193
	231-235	RESERVE	Moroccan Pink	0.378	0.324
COLOR 23	236-240	L157	Pink	0.457	0.272
COLOR 24	241-245	R332	Cherry Rose	0.489	0.295
	246-250	RESERVE	Cool LED Bright Pink	0.57	0.263
	251-255	NO FUNCTION			