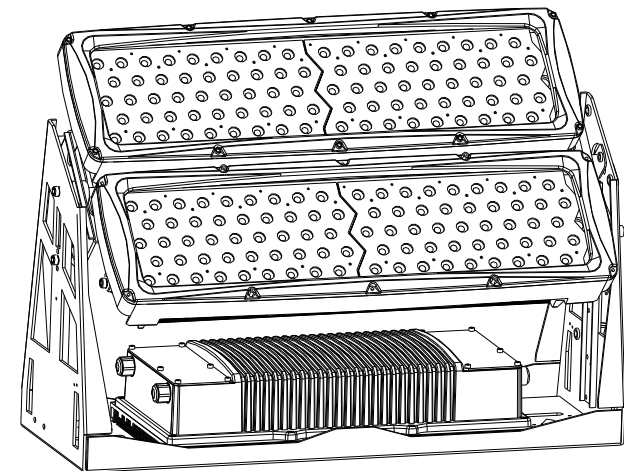


arctik[®]

TARPON



AM722SCT

USER MANUAL

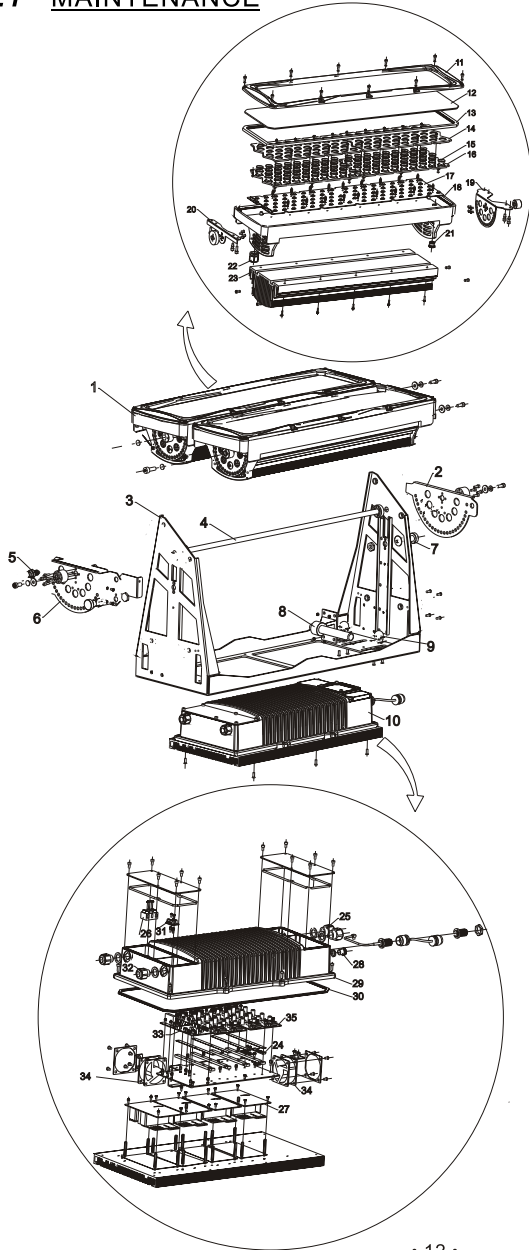
T ABLE OF CONTENTS

NOTES

PART 1 PRODUCT SPECIFICATIONS.....	1.
1.1-- <i>PRODUCT FEATURES</i>	1.
1.2-- <i>TECHNICAL SPECIFICATIONS</i>	1.
1.3-- <i>DIMENSIONS</i>	1.
1.4-- <i>SAFETY WARNING</i>	2.
PART 2 INSTALLATION.....	3.
2.1-- <i>MOUNTING</i>	3.
2.2-- <i>POWER CONNECTIONS</i>	4.
2.3-- <i>SIGNAL CONNECTIONS</i>	4.
PART 3 CONTROL WITH A DMX512 CONTROLLER.....	5.
3.1-- <i>CHANNEL ASSIGNMENT</i>	5.
PART 4 USING THE DMX CODER.....	6.
4.1-- <i>TECHNICAL SPECIFICATIONS</i>	6.
4.2-- <i>SETTING PARAMETERS</i>	6.
4.3-- <i>BASIC</i>	7.
4.4-- <i>MENU</i>	7.
4.5-- <i>DMX ADDRESS</i>	8.
4.6-- <i>PERSONALITY</i>	8.
4.7-- <i>DIMMER</i>	8.
4.8-- <i>STATIC</i>	9.
4.9-- <i>SETTINGS</i>	9.
PART 5 OPERATION WITH WIRELESS DMX.....	10.
PART 6 APPENDIX.....	12.
6.1-- <i>MAINTENANCE</i>	12.

6 APPENDIX

6.1 MAINTENANCE



NO	ITEM
1	Head casing set
2	Mounting bracket 1
3	Mounting frame set
4	Mounting rod
5	Mounting rod
6	Mounting bracket 2
7	Adjusting screw
8	W-DMX antenna (optional)
9	Quick-lock
10	Power supply casing set
11	Head casing front section
12	Tempered glass
13	Head casing gasket
14	Lens board 2
15	Lens
16	Lens board 1
17	LED board
18	Head casing main section
19	Rotating bracket 2
20	Rotating bracket 1
21	Pressure valve
22	Watertight strain relief
23	Head extrusion
24	Thermal protection device
25	Watertight strain relief
26	Connection board
27	Power supply
28	Pressure valve
29	Power supply casing main section
30	Power supply casing gasket
31	Signal connection board
32	Watertight strain relief
33	Power supply connection board
34	Fan
35	LED driver

1 PRODUCT SPECIFICATIONS

1.1 PRODUCT FEATURES

LED FIXTURE

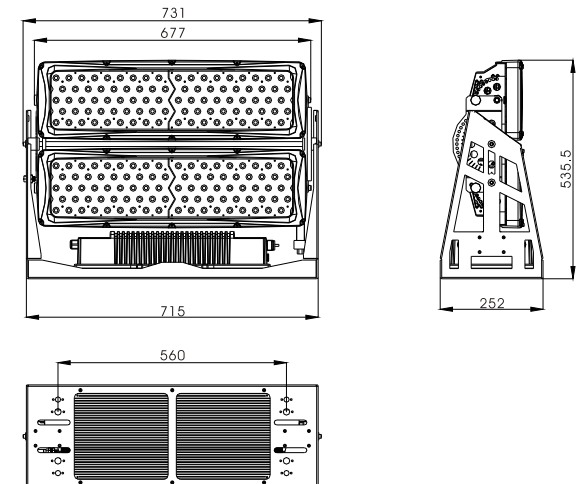
- * Setting:DMX Coder(AM-700)
- * Opration:DMX512/Static Play/Wireless
- * Function:RGBW 0-100%dimming;Linear/Nonlinear dimming;RGBW Calibration
- * Installation:Bracket
- * Power:3 core in
- * Data :5 core in/out cable

1.2 TECHNICAL SPECIFICATIONS

LED MODULE

LED MODULE:	
Voltage	100~240V...50/60Hz
Power	460W
WHITE	2.5W x180
IP RATING	IP 66
Operation Temperature	-40℃~45℃(operating)
	-20℃~45℃(startup)
Dimensions	731x252x535.5mm
Weight	40Kg

1.3 DIMENSIONS



1.4 SAFETY WARNING

IMPORTANT

**[ALWAYS READ THE USER MANUAL BEFORE OPERATION.]
[PLEASE CONFIRM THAT THE POWER SUPPLY STATED ON THE PRODUCT IS THE
SAME AS THE MAINS POWER SUPPLY IN YOUR AREA.]**

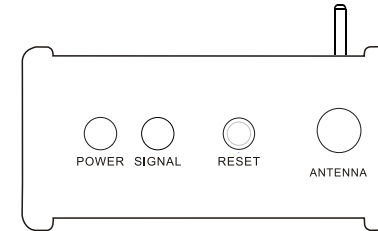
- This product must be installed by a qualified professional.
- Always operate the equipment as described in the user manual.
- A minimum distance of 0.5m must be maintained between the equipment and combustible surface.
- The product must always be placed in a well ventilated area.
- Always make sure that the equipment is installed securely.
- DO NOT stand close to the equipment and stare directly into the LED light source.
- Always disconnect the power supply before attempting maintenance.
- Always make sure that the supporting structure is solid and can support the combined weight of the products.
- The earth wire must always be connected to the ground.
- Do not touch the power cables if your hands are wet.

ATTENTION

ATTENTION

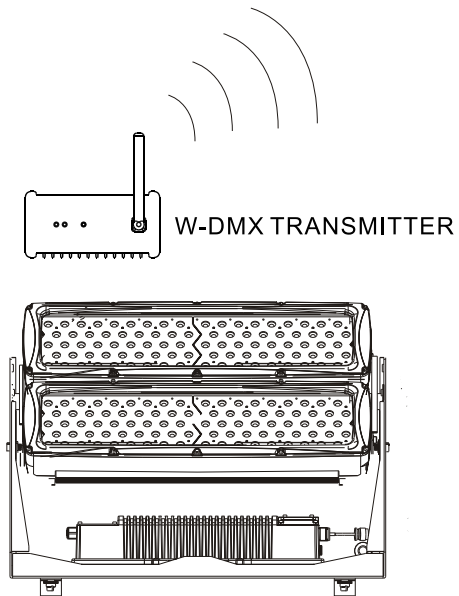
- This product left the place of manufacture in perfect condition. In order to maintain this condition and for safe operation, the user must always follow the instructions and safety warnings described in this user manual.
- Avoid shaking or strong impacts to any part of the equipment.
- Make sure that all parts of the equipment are kept clean and free of dust.
- Always make sure that the power connections are connected correct and secure.
- If there is any malfunction of the equipment, contact your distributor immediately.
- When transferring the product, it is advisable to use the original packaging in which the product left the factory.
- Shields, lenses or ultraviolet screens shall be changed if they have become damaged to such an extent that their effectiveness is impaired.
- It is important that the power cable is frequently inspected to ensure that there is no damage in any position. If the power cable is damaged in any way, it should be replaced by a qualified electrical technician.
- The lamp (LED) shall be changed if it has become damaged or thermally deformed.

- 5.4 By pressing the RESET button on W-DMX transmitter, transmitter will search for RESET lighting fixtures. During search transmitter green SIGNAL indicator will flash. After pairing with lighting fixture green SIGNAL indicator will display.

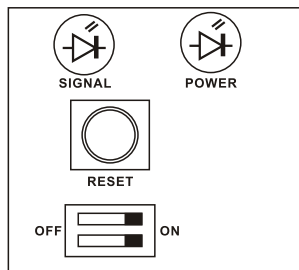


- 5.5 Once a lighting fixture has been paired with a W-DMX transmitter, the green SIGNAL indicator will display. Once a lighting fixture has been paired with a W-DMX transmitter, the lighting fixture cannot be paired with another W-DMX transmitter. If a lighting fixture requires pairing with a new W-DMX transmitter, steps 5.3 and 5.4 must be repeated.

5 OPERATION WITH WIRELESS DMX



- 5.1 When using this lighting fixture with W-DMX receiver installed inside, the fixture may be placed at a range of 200m from W-DMX transmitter
- 5.2 First use DMX ENCODER to set operation mode to DMX and set DMX address
- 5.3 Open the protective cover to gain access to the W-DMX receiver card. Position both of the dip switches at the ON position. The red POWER indicator will display. Press and hold the RESET button until the green SIGNAL indicator is off. This state indicates that the W-DMX receiver board is ON and fully RESET (available to pair with W-DMX transmitter).



2 INSTALLATION

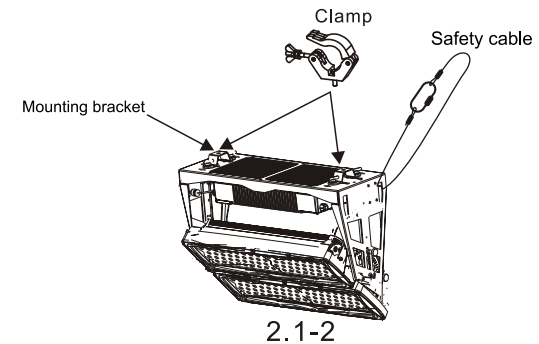
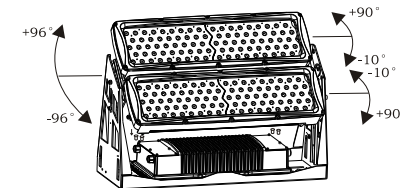
2.1 MOUNTING

UPRIGHT

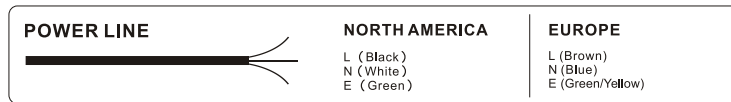
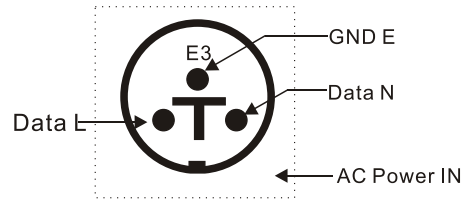
The LED Fixture can be mounted in a sitting or wall mounted position using the supporting brackets.
The LED Fixture should be placed on a non-flammable flat surface in any orientation and fixed by screws. There are four holes into the supporting bracket.

HANGING:

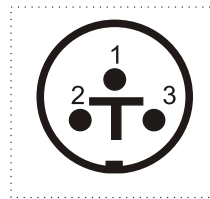
- ◆ Ensure that fixture is mounted to a structure that is correct and suitable for hanging this kind of lighting fixture
- ◆ Mounting structure should withhold load of ten times fixture weight
- ◆ Fixture is mounted using mounting bracket and clamps (see diagram)
- ◆ A safety cable should always be used with this lighting fixture (safety cable should withstand ten times lighting fixture weight)



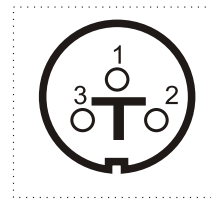
2.2 POWER CONNECTIONS



2.3 SIGNAL CONNECTIONS



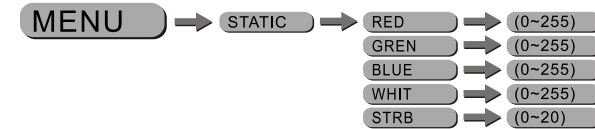
DMX IN



DMX OUT

- 1 -GND
- 2 -Data (-)
- 3 -Data (+)

4.8 STATIC



【STATIC】

- Enter the **【STATIC】** mode to create the programs
- Combine **【RED】**, **【GREEN】**, **【BLUE】** and **【WHITE】** to create an infinite range of colors
- Set value of the **【STROBE】**, **【0-20Hz】**
- The static setting will be valid when the fixture is powered again

4.9 SETTINGS



【COLOR】

- the color is perfect white as the actual RGB values are adjusted to make white. When it is set to **【OFF】**, the RGB values are not adjusted and the output is most powerful.

【RESET】

- Enter the **【RESET】**, pass **【YES】** to return all settings to the original factory setting.

4.5 DMX ADDRESS



【DMX】

- Enter the **【DMX】** mode to set the DMX address, press **【Enter】**
- On successful setting, the fixtures will display Green and turn off after ten seconds
- If an error occurs when setting, the fixtures will display Red or no response

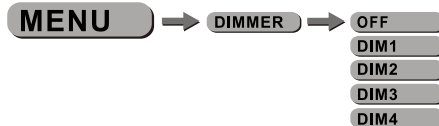
4.6 PERSONALITY



【PERSON】

- Enter **【PERSON】** and select **【SOLID】** mode, press **【Enter】** .
- When selecting **【SOLID】** ,the fixture is under the DMX work mode.
- When selecting **【REMOTE】** ,the fixture is ready to receive signals from the Pix Controller.

4.7 DIMMER



【DIMMER】

- Enter the **【DIMMER】** to select the dimmer work mode, press **【Enter】**
- When Dimmer is set to **【OFF】** the RGB and Master Dimmer are linear,
- When selecting **【DIM1】** , **【DIM2】** , **【DIM3】** or **【DIM4】** ,the RGB and Master Dimmer are nonlinear
- These4 dimming modes have different soft and smooth dimming effects from fast to slow

3 CONTROL WITH A DMX512 CONTROLLER

3.1 CHANNEL ASSIGNMENT

- Note: This product has one DMX512 channel configurations: **【SOLID】** .

SOLID

CHANNEL	VALUE	FUNCTION
1	0 ↔ 255	MASTER DIMMER

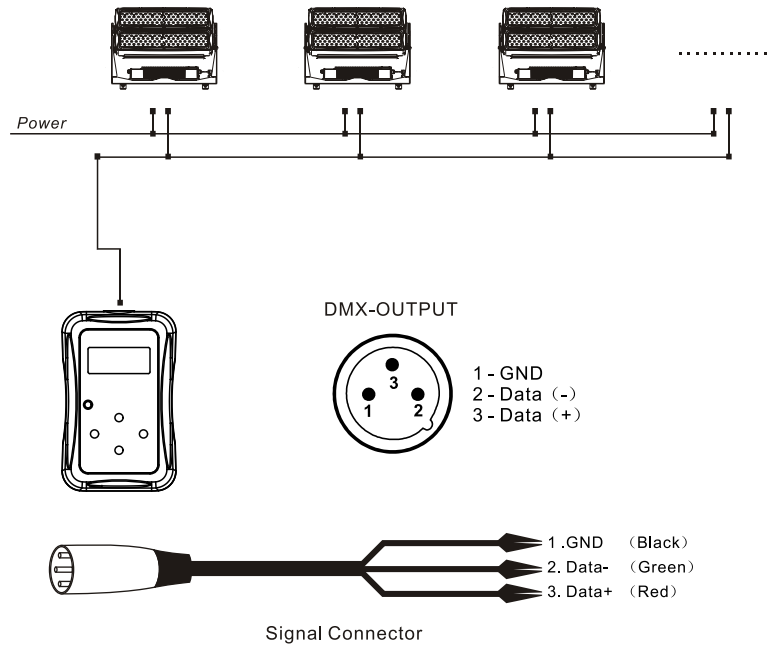
4 USING THE DMX CODER

4.1 TECHNICAL SPECIFICATIONS

LED MODULE:	
Battery	2 x 1.5V DC
Dimensions	110 x 70 x 28mm
Weight	0.2Kg

4.2 SETTING PARAMETERS

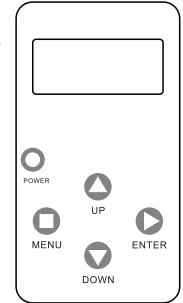
- Connect the DMX Coder to the units in series
- Set the DMX address, Personality, Calibration and Dimmer of fixtures through the DMX Coder
- A maximum of 20 units in series can be set by the DMX Coder at the same time
- All connected units will be set with the same information



Note: The DMX Coder will automatically power off after extended periods of being idle (1 minute)

4.3 BASIC

- [POWER]** Power on
- [MENU]** Scroll through the main menu or exit from the current sub-menu (press and hold to turn off power)
- [ENTER]** Enter the currently selected menu or confirm the current function value
- [DOWN]** Scroll 'DOWN' through the menu list or decrease the value of the current function
- [UP]** Scroll 'UP' through the menu list or increase the value of the current function



4.4 MENU

