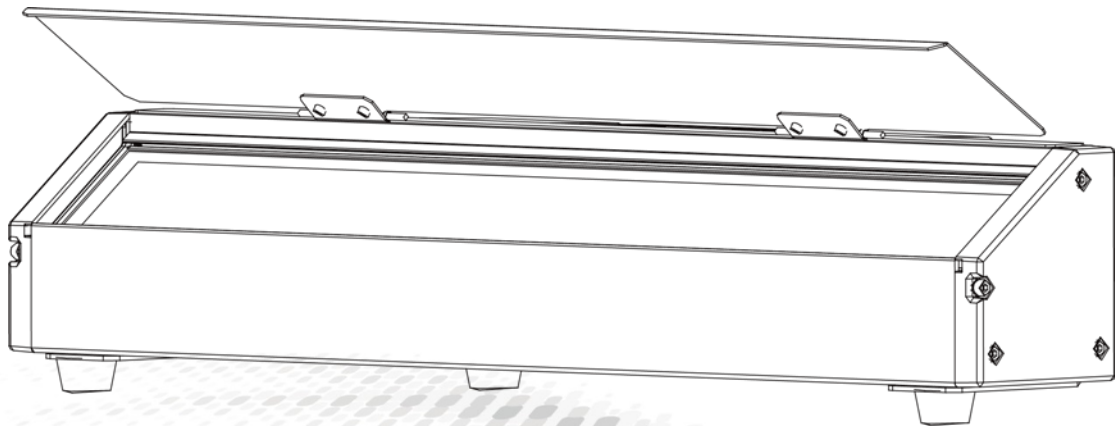
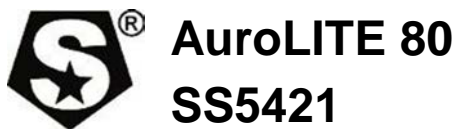


| | | | | | |
|----------------|-----------------------|----|----|------|----------|
| 图纸编码 | RD-SS5421-SM-01(SS-I) | | | 版本号 | A |
| S5421TCT 英文说明书 | | | | 编辑日期 | 2021/6/4 |
| 制作 | 刘丽萍 | 审核 | 白丹 | 批准 | 余泽松 |
| 物料编码 | 1320109432 | | | | |
| 备注 | 以 A4 样本打印 | | | | F |



创意源于追求
Own Idea Of Lighting

AuroLITE 80 USER MANUAL



MODEL: SS5421TCT

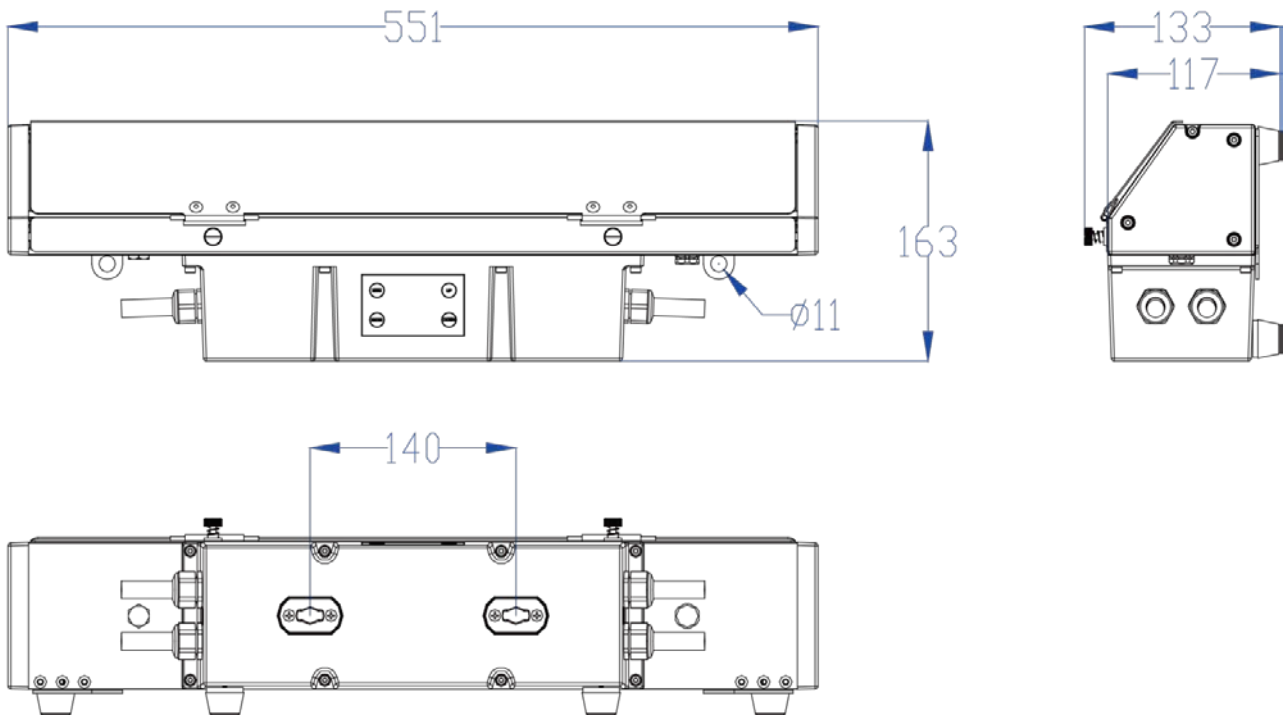


广州市雅江光电设备有限公司
Guangzhou Yajiang Photoelectric Equipment Co., Ltd.
电话/Tel: 020-86947788 邮箱/E-mail: sales@yajiang.cn
传真/Fax: 020-86943773 网址/Website: www.yajiang.cn

1 PRODUCT

1.1 TECHNICAL SPECIFICATIONS

| | |
|-----------------------|--------------------|
| Type | SS5421TCT |
| LED colors | 4000K+6500K LED |
| Power | 70W |
| Voltage Range | AC100~240V,50/60Hz |
| Protection | IP66 |
| Operation Temperature | -20°C~45°C |
| Dimensions | 551X163X133mm |
| Weight | 7.5kg |



1.2 Safety Notes

IMPORTANT

- This product must be installed by a qualified professional.
- In order to maintain this condition and to ensure a safe operation, it is absolutely necessary for the user to follow the safety instructions and warning notes
- The manufacturer will not accept liability for any resulting damages caused by the non-observance of this manual or any unauthorized modification to the device.

CAUTION!

- Make sure that the available voltage is not higher than stated on the rear panel.
- Do not touch the power cables if your hands are wet.
- The earth wire must always be connected to the ground. Therefore it is essential to connect the yellow/green conductor to earth.
- Make sure that the power-cord is never crimped or damaged by sharp edges. Check the device and the power-cord from time to time. The electric connection, repairs and servicing must be carried out by a qualified employee.
- Always disconnect power input cable to completely remove power from unit when not in use or before cleaning or servicing the fixture.
- Do not switch the fixture on and off in short intervals as this would reduce the lamp's life.
- Do not touch the device's housing bare hands during its operation (housing becomes hot)! The surface of the product's casing can reach up to 70° C (158° F) during operation. Avoid contact by persons and materials. Do not install the product in a location where there is a risk of accidental contact. Allow the product to cool for at least 10 minutes before handling.
- For replacement use lamps and fuses of same type and rating only.
- Please protect the fixture and avoid destroy during transport and installation. If there is any damage to the coating, the shell may be corroded.
- When hanging lamps and lanterns, it is necessary to verify that facilities and hooks can bear at least 10 times the weight of lamps and lanterns.
- Fix the safety rope at the correct holes only. Only operate the fixture after having checked that the housing is firmly closed and all screws are tightly fastened.
- The maximum ambient temperature 45°C must never be exceeded. Do not operate the product if the ambient temperature (Ta) exceeds 45° C (115° F).

Electrical Warning

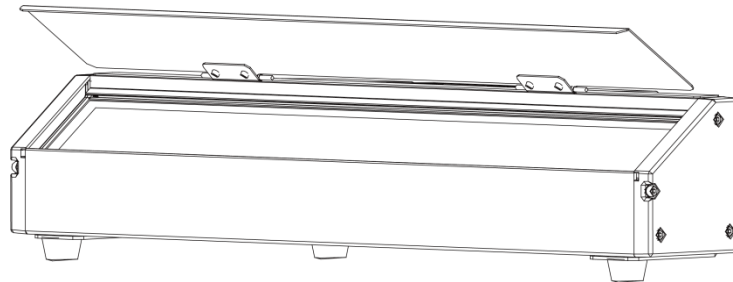
- The light source contained in this luminaire shall only be replaced by the manufacturer or his service agent or a similar qualified person

2 INSTALLATION

2.1 MOUNTING

HANGING

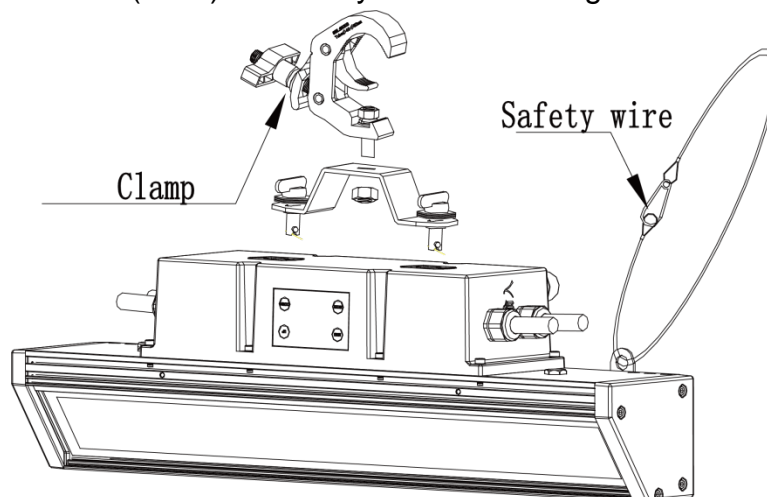
- ◆ You could place the light on the floor. Please make sure the surface is plane and the reliability of the floor is sufficient.



Horizontal layout

UPRIGHT

- ◆ For overhead use, always install a safety cable that can hold at least 10 times the weight of the fixture.
- ◆ For overhead installation, the fixture must be always secured with a safety wire that can bear at least 10 times the weight of the fixture; Secure the fixture with a safety cable through the rear safety eye as shown.
- ◆ Ensure that the structure (truss) to which you are attaching the fixture is secure



Hanging layout

2.2 POWER CONNECTIONS

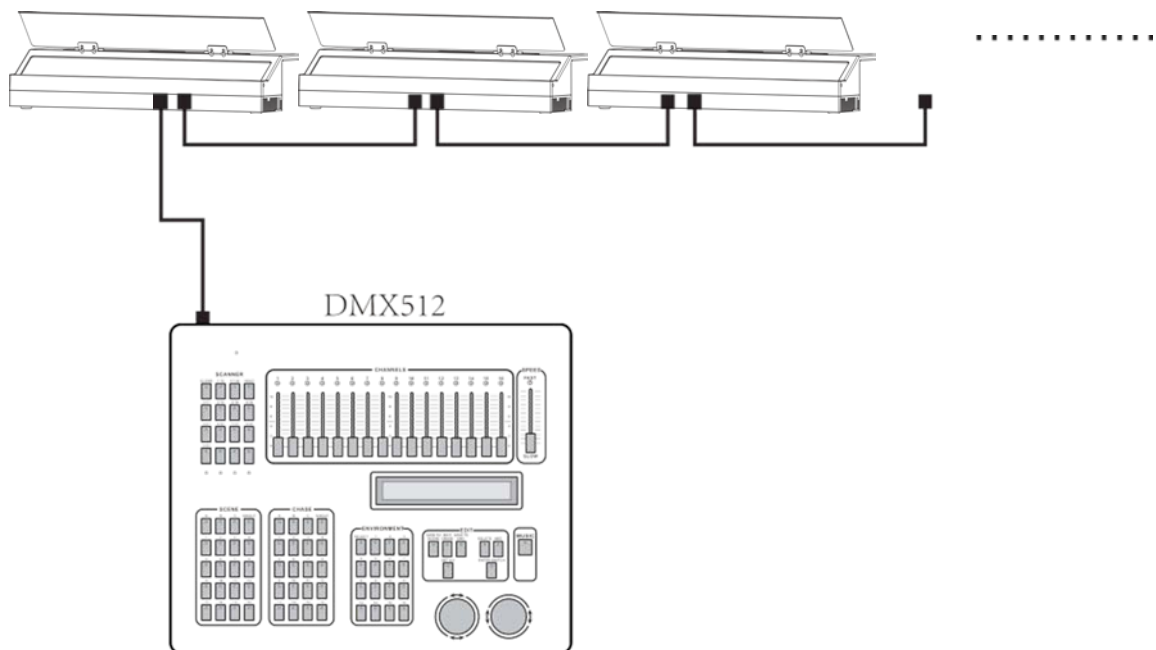
- ◆ POWER Linking: 8 units@110V; 17 units@220V.
- ◆ This product has an auto-ranging power supply that can work with an input voltage range of 100–240 VAC, 50/60 Hz.

AC Plug

| Connection | Wire (U.S.) | Wire(Europe) | Screw Color |
|------------|--------------|--------------|--------------|
| AC Live | Black | Brown | Yellow/Brass |
| AC Neutral | White | Blue | Silver |
| AC Ground | Green/Yellow | Green/Yellow | Green |

2.3 Data network requirements

- ◆ Connect the DMX512 controller to the units in series. A DMX 512 data link is required in order to control the fixture via DMX. The fixture has 3/5-pin XLR connectors for DMX data input and output.
- ◆ Each unit has 13 DMX channels so the DMX Addresses should increase by increments of 1, (Nx1)+1, (Nx2)+1, (Nx3)+1...
- ◆ Any DMX address in the range from 001 to 512 may be used.



3 FUNCTIONS AND SETTINGS

3.1 DISPLAY OPERATION

- ◆ MENU: Used to access the menu or to return a previous menu option;
- ◆ ENTER: Used to select and store the current menu or confirm the current function value or option within a menu;
- ◆ UP: Navigates downwards through the menu list and increases the numeric value when in a function;
- ◆ DOWN: Navigates upwards through the menu list and decreases the numeric value when in a function;

3.2 Menu Map

| | | | | | |
|-------------|----------------------|-----------|------------------|---|--|
| STATIC | NW | 0-255 | | Combine [NW][CW]to create an infinite range of colors(0-255). | |
| | CW | 0-255 | | | |
| | STROBE | 0-25 | | Set the value of the [STROBE](0-25Hz). | |
| ADDRESS | 001-512 (default001) | | | Set the DMX ADDRESS | |
| RUN MODE | DMX (default) | | | [DMX] Using the DMX 512 controller to control; [SLAVE] Master--Slave operation. | |
| | SLAVE | | | | |
| PERSONALITY | UNO | | | Use the menu to select desired channel mode | |
| | DOS | | | | |
| | VW.D (default) | | | | |
| | VW.F | | | | |
| | STD.P | | | | |
| SETTING | **** | RESET | **** | RESET | Restore factory settings |
| | | DIMMER | DIM4 (default) | | Dimming curves DIM1 (fast) to DIM4 (slow); |
| | | | OFF | | |
| | | DMX ERROR | SAVE (default) | | Hold after loss of DMX signal |
| | | | BLACK | | Blackout after loss of DMX signal |
| | | LED PWM | 1200HZ (default) | | Sets the PWM frequency |
| | | | 2400HZ | | |
| | | | 4000HZ | | |
| | | | 6000HZ | | |
| | | | 25000HZ | | |
| | | DISP KEY | ON (default) | | Locks display (passcode is <UP>, <DOWN>,<UP>, <DOWN>, <ENTER>) |
| | | | OFF | | |
| | | DISP TIME | ON | | Display backlight always on |
| | | | 10s | | Turns off display backlight after 10s/30s /2min of inactivity |
| | 30s (default) | | | | |
| | 2min | | | | |
| INFO | FIXTURE HOURS | | | Hours of fixture use | |
| | VERSION | | | Software versions | |
| | RDM | UID | 0x388Axxxxxxx | | Check fixture's ID |
| | | LABEL | AuroLITE 80 | | Check fixture's LABEL |

All passwords of this product are <UP>, <DOWN>,<UP>, <DOWN>, <ENTER>)

4 USING A DMX512 CONTROLLER

4.1 DMX CONTROL

| UNO (1CH) | DOS (2CH) | VW.D (3CH) | VW.F (6CH) | STD.P (9CH) | Value | Function |
|--------------|--------------|---------------|---------------|----------------|--|-------------------------------------|
| CH.1 | CH.1 | CH.1 | CH.1 | CH.1 | 0-255 | DIMMER |
| - | CH.2 | - | CH.2 | CH.2 | 0-255 | DIMMER FINE |
| - | - | CH.2 | CH.3 | CH.3 | 0-255 | NATURAL WHITE |
| - | - | - | CH.4 | CH.4 | 0-255 | NATURAL WHITE FINE |
| - | - | CH.3 | CH.5 | CH.5 | 0-255 | COOL WHITE |
| - | - | - | CH.6 | CH.6 | 0-255 | COOL WHITE FINE |
| - | - | - | - | CH.7 | CCT | |
| | | | | | 0-10 | NO FUNCTION |
| | | | | | 11 | 4000K |
| | | | | | 11-126 | 4000-5600K |
| | | | | | 127 | 5600K |
| | | | | | 128-254 | 5600-6500K |
| | | | | | 255 | 6500K |
| - | - | - | - | CH.8 | STROBE | |
| | | | | | 0-9 | NO FUNCTION |
| | | | | | 10-99 | STROBE FROM (SLOD TO FAST , 0-25Hz) |
| | | | | | 100-109 | NO FUNCTION |
| | | | | | 110-179 | LIGHTNING STROBE |
| | | | | | 180-189 | NO FUNCTION |
| | | | | | 190-255 | RANDOM STROBE |
| - | - | - | - | CH.9 | CONTROL (EXECUTE AFTER 3 SECONDS) | |
| | | | | | 000-010 | NO FUNCTION |
| | | | | | 011-100 | RESERVED |
| | | | | | 101-110 | DIMMER OFF |
| | | | | | 111-120 | DIMMER DIM4 |
| | | | | | 121-150 | RESERVED |
| | | | | | 151-160 | 1200Hz |
| | | | | | 161-170 | 2400Hz |
| | | | | | 171-180 | 4000Hz |
| | | | | | 181-190 | 6000Hz |
| | | | | | 191-200 | 25000Hz |
| | | | | | 201-210 | ALL RESET |
| | | | | | 211-255 | RESERVED |