

DYNAMIC WHITE

LINX i18

AM725SCT/SWT/CAT

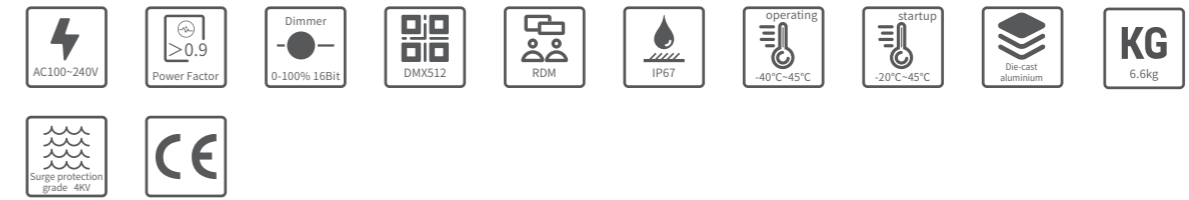
LINX i18 uses a narrow angle lens to achieve a super narrow output beam angle effect and high luminous intensity. The colortemperature of the led chips can be arbitrarily matched to meet the needs of various application scenarios. At the same time, with IP67 rated is suitable for permanent installation, used in hotel lighting, theme parks, bridge lighting and other lighting projects.



TECHNICAL DATA

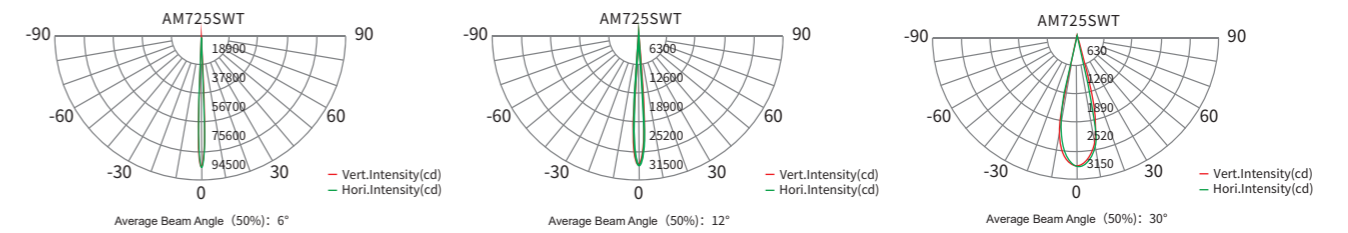
PRODUCT	Max.Power	Lumen	Peak Intensity	LED Qty	Optics
LINX i18					
AM725SWT(SCT/CAT)	60W	2520lm	94500cd (6°)	18pcs, W/C/N/A*18	6°, 12°, 15°, 20°, 30°, 36°

SPECIFICATIONS

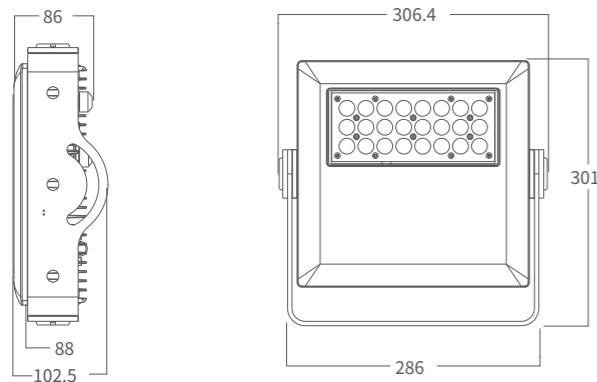


PHOTOMETRIC DATA

LINX i18



DIMENSIONS



ACCESSORIES

