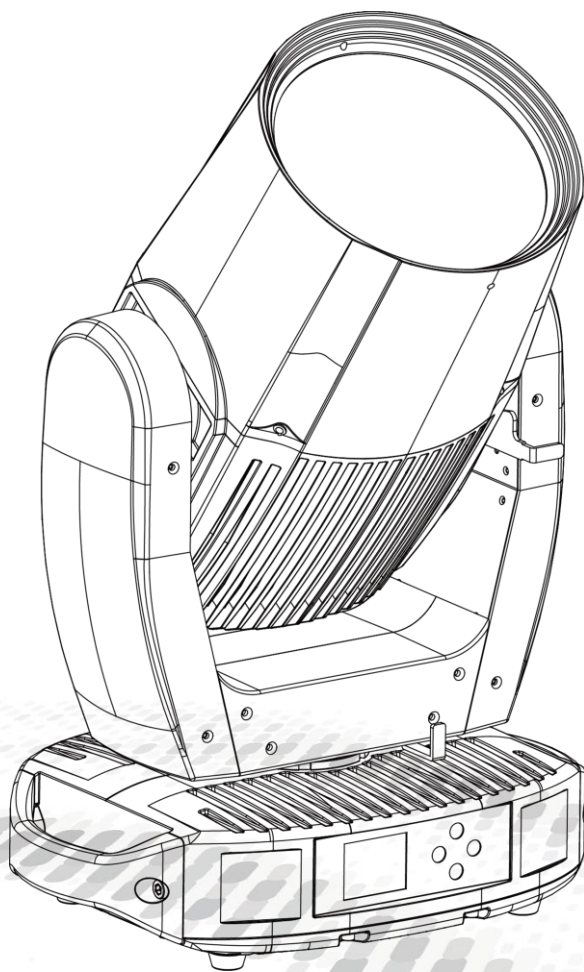




创意源于追求
Own Idea Of Lighting

NEPTUNE 300 BEAM USER MANUAL

 **NEPTUNE 300 BEAM**
SS9461



MODEL: SS9461SCM



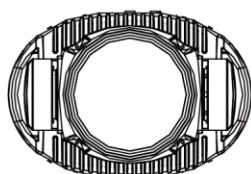
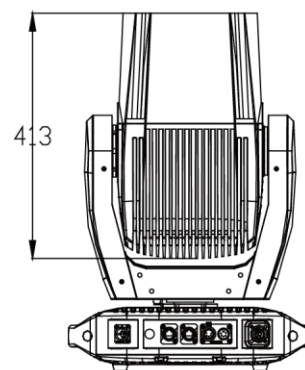
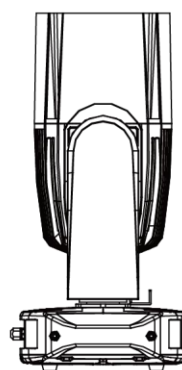
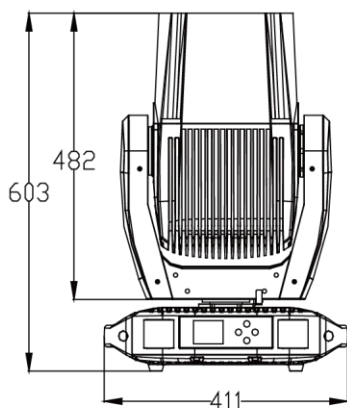
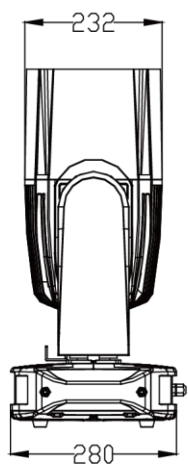
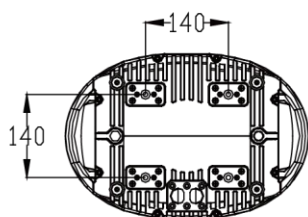
广州市雅江光电设备有限公司
Guangzhou Yajiang Photoelectric Equipment Co., Ltd.
电话/Tel:020-86947788 邮箱/E-mail:sales@yajiang.cn
传真/Fax:020-86943773 网址/Website:www.yajiang.cn

Since 1985

1 PRODUCT

1.1 TECHNICAL SPECIFICATIONS

Type	SS9461SCM
LED colors	1 LED(CW) 200W
Angle	2°
Power	320W
Control Protocol	DMX512, RDM, ARTNET, sACN, W-DMX (Optional)
Voltage Range	AC100~240V,50/60Hz
Input Current	110V/3A,220V/1.5A
Protection	IP65
Operation Temperature	-20°C~45°C
Dimensions	411x280x603mm
Weight	28kg



1.2 Safety Notes

IMPORTANT

- This product must be installed by a qualified professional.
- In order to maintain this condition and to ensure a safe operation, it is absolutely necessary for the user to follow the safety instructions and warning notes
- The manufacturer will not accept liability for any resulting damages caused by the non-observance of this manual or any unauthorized modification to the device.

CAUTION!

- Make sure that the available voltage is not higher than stated on the rear panel.
- Do not touch the power cables if your hands are wet.
- The earth wire must always be connected to the ground. Therefore it is essential to connect the yellow/green conductor to earth.
- Make sure that the power-cord is never crimped or damaged by sharp edges. Check the device and the power-cord from time to time. The electric connection, repairs and servicing must be carried out by a qualified employee.
- Always disconnect power input cable to completely remove power from unit when not in use or before cleaning or servicing the fixture.
- Do not switch the fixture on and off in short intervals as this would reduce the lamp's life.
- Do not touch the device's housing bare hands during its operation (housing becomes hot)! The surface of the product's casing can reach up to 70° C (158° F) during operation. Avoid contact by persons and materials. Do not install the product in a location where there is a risk of accidental contact. Allow the product to cool for at least 10 minutes before handling.
- For replacement use lamps and fuses of same type and rating only.
- Please protect the fixture and avoid destroy during transport and installation. If there is any damage to the coating, the shell may be corroded.
- When hanging lamps and lanterns, it is necessary to verify that facilities and hooks can bear at least 10 times the weight of lamps and lanterns.
- Fix the safety rope at the correct holes only. Only operate the fixture after having checked that the housing is firmly closed and all screws are tightly fastened.
- The maximum ambient temperature 45°C must never be exceeded. Do not operate the product if the ambient temperature (Ta) exceeds 45° C (115° F).
- During the initial start-up some smoke or smell may arise. This is a normal process and does not necessarily mean that the device is defective.

Electrical Warning

- The light source contained in this luminaire shall only be replaced by the manufacturer or his service agent or a similar qualified person
- For replacement use lamps and fuses of same type and rating only.
- The lens has to be replaced when it is obviously damaged, so that its function is impaired, e. g. due to cracks or deep scratches!

Keep the product well away from flammable materials

- Keep all combustible materials (e.g. fabric, wood, paper) at least 500 mm (20 in.) away from the product.
- Ensure that there is free and unobstructed airflow around the product. Provide a minimum clearance of 150 mm (6 in.) around fans and air vents.
- Do not illuminate surfaces within 3 m (10 ft.) of the product.
- Do not install a fuse that has a higher rating than the one originally installed in the product. Do not bypass fuses.
- Do not stick filters, masks or other materials onto optical components.
- If the fixture seems to be abnormally hot, shows signs of melting or emits smoke, disconnect the fixture from power immediately and allow it to cool. Do not touch the fixture without heatproof safety gloves. Keep the fixture well away from combustible and flammable materials.

**NEVER LOOK DIRECTLY INTO THE LIGHT SOURCE!
RETINA INJURY RISK - MAY INDUCE BLINDNESS!**

Do not point the front of the fixture towards the sun or other strong light sources. The front lens focuses and concentrates light just like a magnifying glass. Strong light can cause internal damage to the fixture, melting components or starting an internal fire within seconds.

To avoid problems from strong light sources:

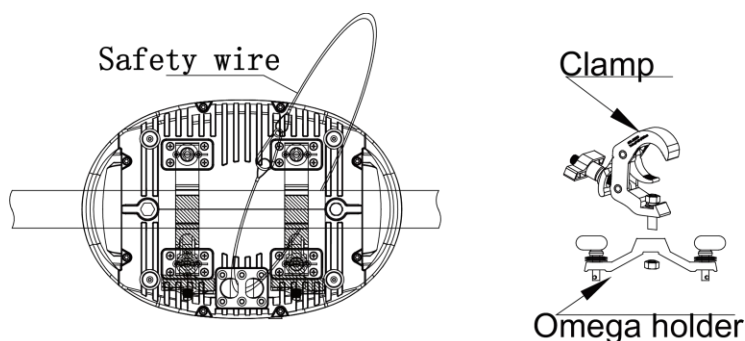
- Do not expose the front of a fixture to sunlight or any other strong light source. Avoid pointing other high-powered beam lights directly at the fixture.
- Do not focus a light beam from one lighting fixture directly towards another.
- For outdoor applications during daylight, make sure that the front face of any fixture is shielded or points away from the sun, even when not in use.
- Do not expose the product to heat (from other lighting fixtures for example).

2 INSTALLATION

2.1 MOUNTING

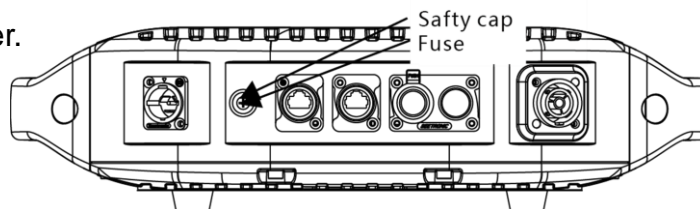
Truss installation

- ◆ Keep all combustible materials (e.g. fabric, wood, paper) at least 500 mm (20 in.) away from the product.
- ◆ For overhead use, always install a safety cable that can hold at least 10 times the weight of the fixture.
- ◆ For overhead installation, the fixture must be always secured with a safety wire that can bear at least 10 times the weight of the fixture;
- ◆ Secure the fixture with a safety cable through the rear safety eye and truss as shown..
- ◆ Ensure that the structure (truss) to which you are attaching the fixture is secure



2.2 Fuse replacement

- ◆ Remove the safety cap by a screwdriver.
- ◆ Fetch the old fuse from safety cap.
- ◆ Install a new fuse.
- ◆ Install the safety cap.



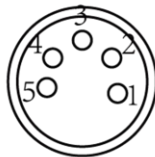
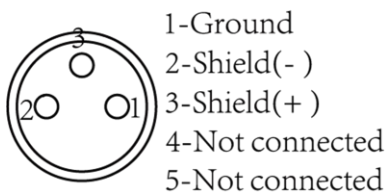
2.3 POWER CONNECTIONS

- ◆ This product has an auto-ranging power supply that can work with an input voltage range of 100–240 VAC, 50/60 Hz.
- ◆ POWER Linking: 2 units@110V; 4 units@220V.

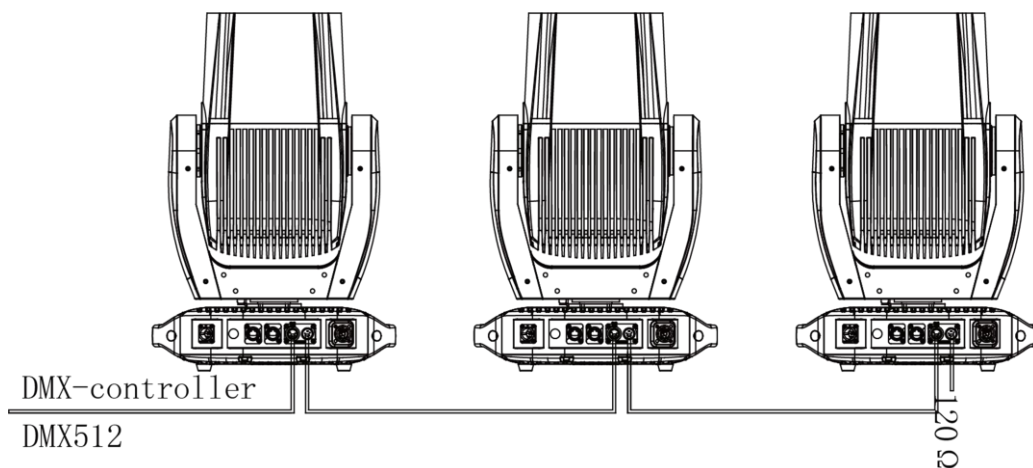
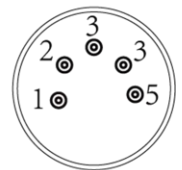
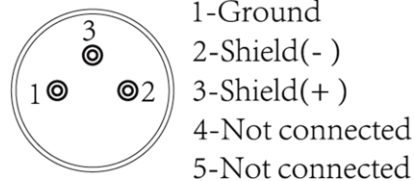
2.4 Data network requirements

- ◆ Connect the DMX512 controller to the units in series. A DMX 512 data link is required in order to control the fixture via DMX. The fixture has 3/5-pin XLR connectors for DMX data input and output.
- ◆ Each unit has 13 DMX channels so the DMX Addresses should increase by increments of 1, (Nx1)+1, (Nx2)+1, (Nx3)+1...
- ◆ Any DMX address in the range from 001 to 512 may be used.
- ◆ Connect the DMX-output of the first fixture in the DMX chain with the DMX-input of the next fixture. Always connect one output with the input of the next fixture until all fixtures are connected.
- ◆ Caution: At the last fixture, the DMX-cable has to be terminated with a terminator. Solder a 120 Ω resistor between Signal (-) and Signal (+) into a 3/5-pin XLR-plug and plug it in the DMX-output of the last fixture.

DMX-output
XLR mounting-sockets



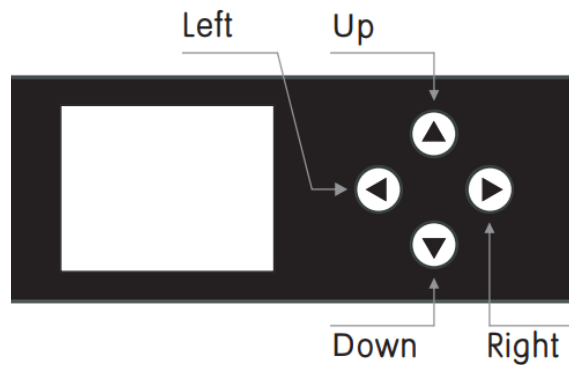
DMX-input
XLR mounting-plugs



3 FUNCTIONS AND SETTINGS

3.1 DISPLAY OPERATION

- ◆ LEFT: Used to access the menu or to return a previous menu option;
- ◆ RIGHT: Used to select and store the current menu or confirm the current function value or option within a menu;
- ◆ UP: Navigates downwards through the menu list and increases the numeric value when in a function;
- ◆ DOWN: Navigates upwards through the menu list and decreases the numeric value when in a function;
- ◆
- ◆ When the display locked, please unlock the display as below:
 1. Keep pressing BACK around 5sec, until the display shows inset password.
 2. Press “up down up down, enter” to unlock.



3.2 Menu Map

ADDRESS	001 – 512(Default 001)		DMX address setting	
PERSON	BASIC		Use the menu to select desired channel mode	
	STANDARD (Default)			
	EXTEND			
RUNMODE	DMX512 (Default)		Select Signal	
	ARTNET		Default: DMX512	
	ARTNET TO DMX		ARTNET: Ethernet control	
	sACN		CUSTOM1-2 Set up get into EDIT MENU	
	AUTO		edit	
	CUSTOM1			
	CUSTOM2			
OPTION	PAN INVERT	NORMAL (Default)	PAN moving direction selection	
		INVERT		
	TILT INVERT	NORMAL (Default)	TILT moving direction selection	
		INVERT		
	PERFORM	STUDIO		Fan mode low speed
		POWER		Fast rotation of fan, all power
LIVE (Default)		Automatic rotation of fan		

BLACKOUT	OFF (Default)		Select OFF blackout without delay		
	ON		Select ON Blackout delay 3s		
DIMMER	DIM4 (Default)		Dimming curves OFF (fast) to DIM4 (slow);		
	OFF				
LED PWM	1200Hz (Default)		Sets the PWM frequency		
	2400Hz				
	4000Hz				
	6000Hz				
	25000Hz				
DMX ERROR	SAVE (Default)		Hold after loss of DMX signal		
	BLACK		Blackout after loss of DMX signal		
DISPLAY TIME	On		Display backlight always on		
	30s		Turns off display backlight after 30s/1min /2min of inactivity		
	1min (Default)				
	2min				
DISPLAY LOCK	OFF		Locks display (passcode is <UP>, <DOWN>,<UP>, <DOWN>, <ENTER>)		
	ON (Default)				
LOAD PARA	OFF		Not upload data		
	ON (Default)		Upload data		
SETTING	RECOVERY	****	Restore default factory settings.		
	CLEAN EDIT1	****	Clean customer self-editing scene 1		
	CLEAN EDIT2	****	Clean customer self-editing scene 2		
	WDMX HIDE	NO	YES	Hide wireless mode WDMX reset and signal hide and the default is wired mode only	
		YES			
NETWORK	NET SWITCH	2.xxx.xxx.xxx	Net switch off IP mode		
		10.xxx.xxx.xxx	Net switch on IP mode		
	UNIVERS	0-255	Packet group Settings		
	IP MODE	DEFAULT IP	Default IP		
		CUSTOM IP	Customer's IP		
	CUSTOM IP	XX.XX.XX.XX	Customer's IP setting		
PT ENCODER	OFF		XY Encoder switch.		
	ON		OFF is close; ON is open.		
WDMX RESET	NO		Do not clear the receiver's message.		
	YES		Clear the receiver's message		
SIGNAL	ONLY XLRDMX		ONLY XLR is wire only		
	XLRDMX FIRST		XLR FIRST is wire first		
	ONLY WDMX		ONLY WDMX is wireless only		
	WDMX FIRST		WDMX FIRS is wireless first		
	WDMX TO XLRDMX		WDMX TO DMX is wireless to wired		
EDIT	EDIT 1-2	STEP 1-30	PAN	0-255	Edit the custom programs1-30

			TILT	0-255	Select play 【EDIT 1】 in RUNMOEDE CUSTOM 1; Select play 【EDIT 2】 in RUNMOEDE CUSTOM 2	
			PT SPEED	0-255		
			COLOR	0-255		
			GOBO.ROTA	0-255		
			ROTA.GOBO	0-255		
			COLOR GOBO	0-255		
			PRISM 1	0-255		
			PRISM 2	0-255		
			FOCUS	0-255		
			DIMMER	0-255		
			STROBE	0-255		
			TIME	0-255		
			USE	YES/NO		Select YES to run the steps user need.
MANUAL	AUTO TEST					
	CHANNEL	PAN	0-255		Manual control channel	
		TILT	0-255			
		PT SPEED	0-255			
		COLOR	0-255			
		GOBO.ROTA	0-255			
		ROTA.GOBO	0-255			
		COLOR GOBO	0-255			
		PRISM 1	0-255			
		PRISM 2	0-255			
		FOCUS	0-255			
		DIMMER	0-255			
	STROBE	0-25				
DEBUG HIDE	NO				Factory testing mode. All stepper motors are not controlled by signal, It only works again after the reset.	
	YES					
RESET	ALL RESET				Select Yes/No to carry out all reset	
	PT RESET				Select Yes/No to carry out P/T reset	
	COLOR SYSTEM				COLOR/CMYK reset	
	OTHER				Zoom/ Focus reset	
INFO	FIXTURE HOURS				Hours of fixture use	
	LED USE HOURS				LED use time	
	TEMPERATURE				LED temperature	
	VERSION				Software versions	
	NETWORK				Check network parameter	
	RDM	UID	0x388Axxxxxxx		Check fixture's ID	
		LABEL	NEPTUNE 300 BEAM		Check fixture's LABEL	
	SYSTEM ERROR	MEMORY IC				Memory IC
		ANGLESENSOR				Angle Sensor
PAN SENSOR				Pan Sensor		

		PAN ENCODER		Pan Encoder
		PAN DRIVEIC		Pan Drive IC
		TILT SENSOR		Tilt Sensor
		TILT ENCODER		Tilt Encoder
		TILT DRIVEIC		Tilt Drive IC
		TEMPERATURE		Temperature
		COLOR RESET		Color reset
		GOBO RESET		gobo reset
		RGOBO RESET		Rgobo reset
		COLOR GOBO RESET		Color gobo reset
		PRISM 1 RESET		Prism 1 reset
		PRISM 2 RESET		Prism 2 reset
		FOCUS RESET		Focus reset
SERVICE	****	PAN	±127	Pan position fine adjustment
		TILT	±127	Tilt position fine adjustment
		COLOR	±127	Color position fine adjustment
		GOBO.ROTA	±127	Rotate Gobo position fine adjustment
		ROTA.GOBO	±127	Gobo position fine adjustment
		COLOR GOBO	±127	Color gobo position fine adjustment
		PRISM 1	±127	Prism1 position fine adjustment
		PRISM 2	±127	Prism2 position fine adjustment
		FOCUS	±127	Focus position fine adjustment
		OTHER	±127	

All passwords of this product are <UP>, <DOWN>,<UP>, <DOWN>, <ENTER>

4 USING A DMX512 CONTROLLER

4.1 DMX CONTROL

BASIC (13CH)	STANDARD (18CH)	Extend (19CH)	Value	Function
CH.1	CH.1	CH.1	000-255	PAN 0-540°
-	CH.2	CH.2	000-255	PAN FINE
CH.2	CH.3	CH.3	000-255	TILT 0-270°
-	CH.4	CH.4	000-255	TILT FINE
CH.3	CH.5	CH.5	000-255	PT Speed
CH.4	CH.6	CH.6	COLOR WHEEL 9+1	
			000-007	WHITE
			008-013	COLOR 1
			014-019	COLOR 2
			020-025	COLOR 3
			026-031	COLOR 4
			032-037	COLOR 5
			038-043	COLOR 6
			044-049	COLOR 7
			050-055	COLOR 8
			056-063	COLOR 9
			064-191	COLOR WHELL1 0-360°
			192-222	COLOR WHELL1 RAINBOW EFFECT(SPEED 100%→1)
			223-224	STOP
225-255	COLOR WHELL1 RAINBOW EFFECT(SPEED 1→100%)			
-	-	CH.7	000-255	COLOR WHEEL FINE
CH.5	CH.7	CH.8	ROTATING GOBO 8+1	
			000-010	ROTATING WHITE
			011-016	ROTATING GOBO 1
			017-022	ROTATING GOBO 2
			023-028	ROTATING GOBO 3
			029-034	ROTATING GOBO 4
			035-040	ROTATING GOBO 5
			041-046	ROTATING GOBO 6
			047-052	ROTATING GOBO 7
			053-058	ROTATING GOBO 8
			059-066	ROTATING GOBO 1 SHAKE (SPEED 1 → 100%)
			067-074	ROTATING GOBO 2 SHAKE (SPEED 1 → 100%)
			075-082	ROTATING GOBO 3 SHAKE (SPEED 1 → 100%)
			083-090	ROTATING GOBO 4 SHAKE (SPEED 1 → 100%)

			091-098	ROTATING GOBO 5 SHAKE (SPEED 1 → 100%)
			099-106	ROTATING GOBO 6 SHAKE (SPEED 1 → 100%)
			107-114	ROTATING GOBO 7 SHAKE (SPEED 1 → 100%)
			115-122	ROTATING GOBO 8 SHAKE (SPEED 1 → 100%)
			123-127	WHITE
			128-190	ROTATING GOBO FLOWING WATER EFFECT (SPEED 100 → 1%)
			191-192	STOP WATER EFFECT
			193-255	ROTATING GOBO FLOWING WATER EFFECT (SPEED 1 → 100%)
CH.6	CH.8	CH.9	GOBO ROTATING	
			0-120	ROTATING GOBO ANGLE ADJUSTMENT (0 → 360°)
			121-125	STOP
			126-165	ROTATING GOBO SHAKE (SPEED 1 → 100%)
			166-170	STOP
			171-210	ROTATING GOBO POSITIVE ROTATION (SPEED 100% → 1)
			211-215	STOP
			216-255	ROTATING GOBO REVERSE ROTATION (SPEED 1 → 100%)
-	CH.9	CH.10	000-255	GOBO ROTATING FINE
CH.7	CH.10	CH.11	COLOR EFFECT WHEEL	
			0-10	WHITE
			11-145	COLOR EFFECT INSERT AND ADJUST THE ANGLE (0 → 360°)
			146-150	STOP
			151-200	COLOR EFFECT INSERT AND POSITIVE ROTATION (SPEED 100% → 1)
			201-205	STOP
CH.8	CH.11	CH.12	PRISM 1	
			0-10	WHITE
			11-145	PRISM INSERT AND ADJUST THE ANGLE (0 → 360°)
			146-150	STOP
			151-200	PRISM INSERT AND POSITIVE ROTATION (SPEED 100% → 1)
			201-205	STOP ROTATION
			206-255	PRISM INSERT AND REVERSE ROTATION (SPEED 1 → 100%)
CH.9	CH.12	CH.13	PRISM 2	
			0-10	WHITE
			11-145	PRISM INSERT AND ADJUST THE ANGLE (0 → 360°)
			146-150	STOP
			151-200	PRISM INSERT AND POSITIVE ROTATION (SPEED 100% → 1)
			201-205	STOP ROTATION
206-255	PRISM INSERT AND REVERSE ROTATION (SPEED 1 → 100%)			
CH.10	CH.13	CH.14	000-255	FOCUS
-	CH.14	CH.15	000-255	FOCUS FINE

CH.11	CH.15	CH.16	000-255	DIMMER
-	CH.16	CH.17	000-255	DIMMER FINE
CH.12	CH.17	CH.18	STROBE	
			0-9	NO FUNCTION
			10-99	STROBE (FROM SLOW TO FAST)
			100-109	NO FUNCTION
			110-179	LIGHTNING STROBE
			180-189	NO FUNCTION
			190-255	RANDOM SROBE
CH.13	CH.18	CH.19	CONTROL	
			000-010	NO FUNCTION
			011-020	PAN/TILT BLACK ACTIVATED
			021-030	PAN/TILT BLACK DEACTIVATED
			031-040	PAN INVERT
			041-050	TILT INVERT
			051-060	PAN/TILT INVERT OFF
			061-100	RESERVED
			101-110	DIM4
			111-120	OFF
			121-150	RESERVED
			151-160	1200Hz
			161-170	2400Hz
			171-180	4000Hz
			181-190	6000Hz
			191-200	25000Hz
			201-210	ALL RESET
			211-220	XY RESET
			221-230	COLOR\GOBO SYSTEM RESET
			231-240	FOCUS RESET
241-255	RESERVED			