

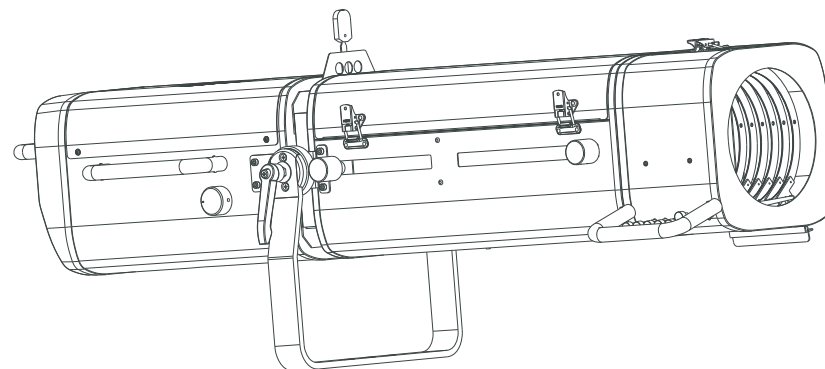
|                                      |   |     |     |      |                      |            |   |
|--------------------------------------|---|-----|-----|------|----------------------|------------|---|
| 雅江光電<br>YAJIANG APPLIED TECHNOLOGIES |   |     |     | 图纸编号 | RD-SS824-SM-00(SS-I) | 版本号        | B |
| SS824SC说明书                           |   |     |     | 编制日期 |                      | 2017.07.20 |   |
| 制作                                   | 崔金凤   | SSP | 张先文 | 审核   |                      | 批准         |   |
| 文件名及路径                               | 系统文档夹/部门资料库/技术部/曾宪忠/包装设计/新方案/说明书/silverstar/SS824 |     |     |      |                      |            |   |
| 新物料编号                                | 1320109115  |     |     |      |                      |            |   |
| 旧物料编号                                |   |     |     | 成品编号 | P30322               |            |   |
| 通用产品                                 |   |     |     |      |                      |            |   |
| 备注                                   | 修改了二维码  |     |     |      |                      |            | H |

|    |  |   |
|----|--|---|
| 1  | Color box assembly                         | 1 |
| 2  | Color box handle                           | 1 |
| 3  | Color bar push cap                         | 6 |
| 4  | Color bar push rod                         | 6 |
| 5  | Clip assembly                              | 6 |
| 6  | Color plate                                | 6 |
| 7  | Spacer                                     | 6 |
| 8  | Lens case assembly                         | 1 |
| 9  | Lens 4 mounting plate                      | 1 |
| 10 | Up to 170 double convex lens               | 1 |
| 11 | Focusing knob cap                          | 2 |
| 12 | Lens 3 mounting plate                      | 1 |
| 13 | Up to 120 balsaming lens                   | 1 |
| 14 | Pattern mounting plate assembly            | 1 |
| 15 | Diaphragm plate                            | 1 |
| 16 | Box connecting plate                       | 1 |
| 17 | Hanger                                     | 1 |
| 18 | Upper cover assembly for light source case | 1 |
| 19 | Light bottom cover assembly                | 1 |
| 20 | Potentiometer cap                          | 1 |
| 21 | Light box handle                           | 2 |

# TRACER

## USER MANUAL

**S**<sup>®</sup> TRACER  
SS824



**MODEL:SS824SC**



广州市雅江光电设备有限公司  
Guangzhou Yajiang Photoelectric Equipment Ltd.  
电话/Tel:020-86947788 邮箱/E-mail:sales@yajiang.cn  
传真/Fax:020-86943773 网址/Website:www.yajiang.cn

Since 1985

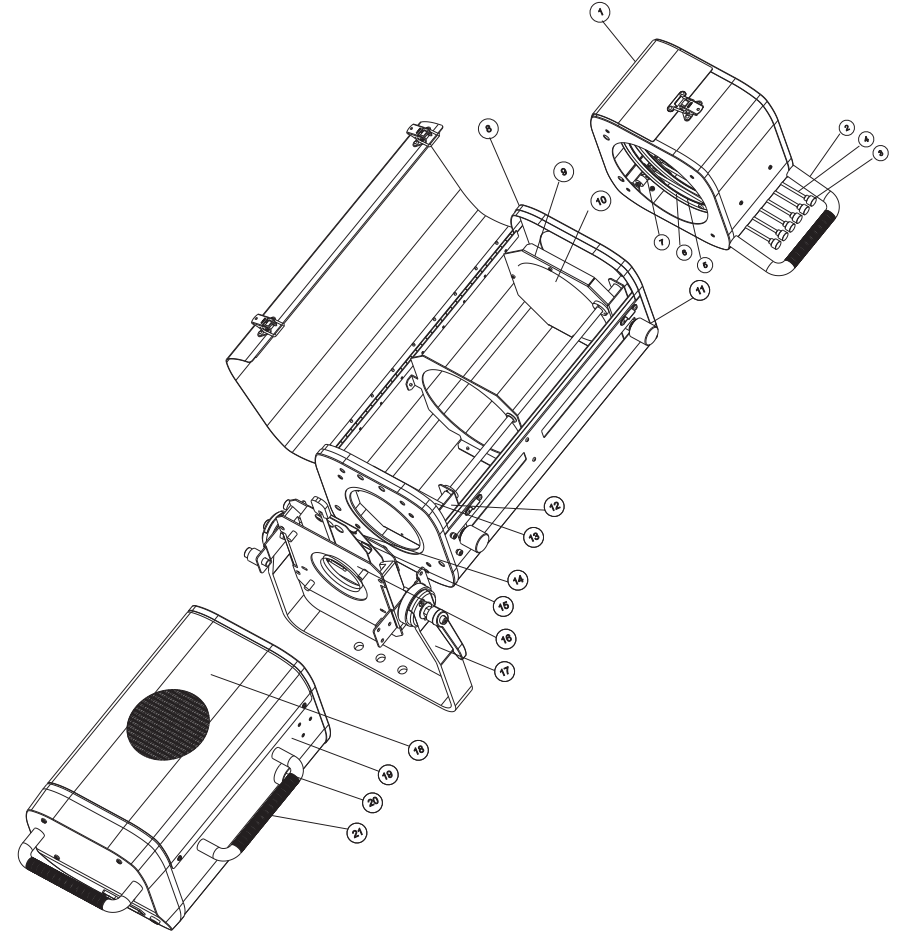
RD-SS824-SM-00(SS-I)

# ABLE OF CONTENTS

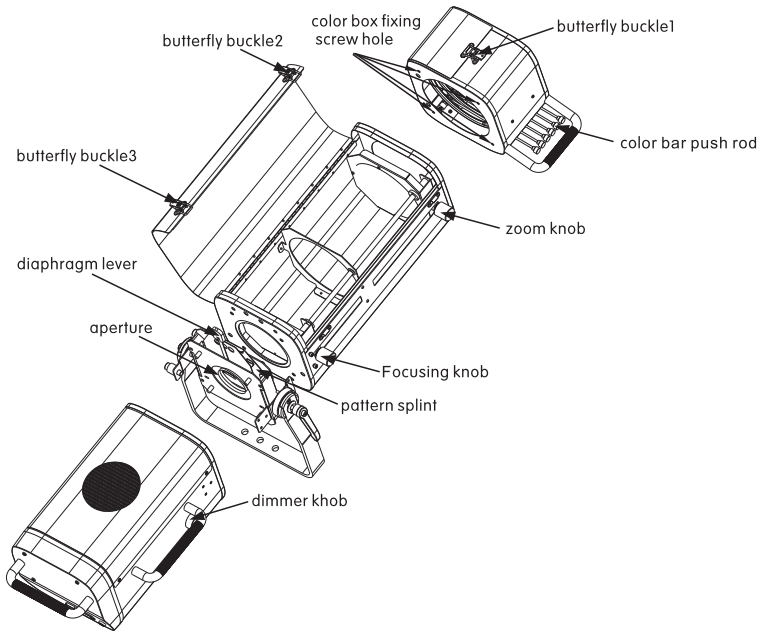
|     |                                 |       |       |
|-----|---------------------------------|-------|-------|
| 1   | PRODUCT TEEHKNICAL PARAMETERS   | ----- | 1-2 . |
| 1.1 | PRODUCT STEM DARD               | ----- | 1.    |
| 1.2 | SAFETY WARNING                  | ----- | 2.    |
| 2   | EASY FUNCTION OPERATION         | ----- | 3-4 . |
| 2.1 | STENT INSTALLATION INSTRUCTIONS | ----- | 3.    |
| 2.2 | SIMPLE COMPONENT SPECIFICATION  | ----- | 4.    |
| 3   | APPEDIX                         | ----- | 5-6 . |
| 3.1 | MAINTENANCE                     | ----- | 5-6.  |

# 3 APPENDIX

## 3.1 MAINTENANCE



## 2.2 Simple component specification

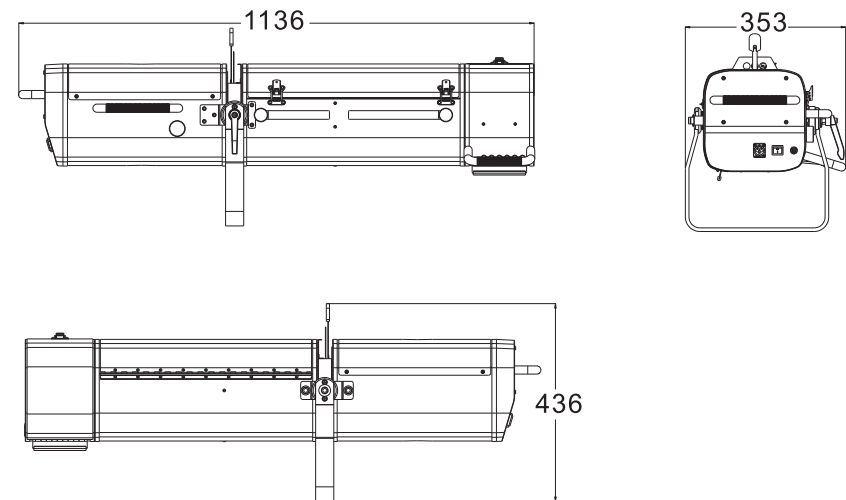


- [ dimmer knob ] : The brightness of the spot can be adjusted by adjusting the dimming knob
- [ aperture ] : By adjusting the iris, the adjusting lever can change the aperture size and play the role of adjusting the spot size.
- [ pattern splint ] : different patterns can be placed
- [ zoom knob ] : You can change the size of the spot and adjust the angle
- [ focusing knob ] : Can adjust the spot clearly
- [ Butterfly buckle2/3 ] : Release butterfly buckle 2 and 3, open the upper cover for later maintenance of the optical assembly
- [ color box fixing screw ] : Remove or assemble the color box by removing the color box fixing screws
- [ Butterfly buckle1 ] : Release butterfly buckle 1, open the lid of the color case to release the color guide holder
- [ color bar push rod ] : You can change the color patches you need by pulling the push rod

# 1 PRODUCT SPECIFICATIONS

## 1.1 TECHNICAL SPECIFICATIONS

| Model   | Voltage               | Operation Temperature | Weight | Dimensions   | Power | IP | PCS     |
|---------|-----------------------|-----------------------|--------|--------------|-------|----|---------|
| SS824SC | 100V-240V~<br>50/60Hz | 0~45                  | 23     | 1136X353X436 | 230   | 2X | CW:1PCS |



## 1.2 SAFETY WARNING

### **IMPORTANT**

[ALWAYS READ THE USER MANUAL BEFORE OPERATION. ]  
[PLEASE CONFIRM THAT THE POWER SUPPLY STATED ON THE  
PRODUCT IS THE SAME AS THE MAINS POWER SUPPLY IN YOUR  
AREA.]

- This product must be installed by a qualified professional.
- Always operate the equipment as described in the user manual.
- A minimum distance of 0.5m must be maintained between the equipment and combustible surface.
- The product must always be placed in a well ventilated area.
- Always make sure that the equipment is installed securely.
- DO NOT stand close to the equipment and stare directly into the LED light source.
- Always disconnect the power supply before attempting and maintenance.
- Always make sure that the supporting structure is solid and can support the combined weight of the products.
- The earth wire must always be connected to the ground.
- Do not touch the power cables if your hands are wet.

### **ATTENTION**

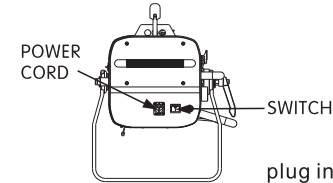


- This product left the place of manufacture in perfect condition. In order to maintain this condition and for safe operation, the user must always follow the instructions and safety warnings described in this user manual.
- Avoid shaking or strong impacts to any part of the equipment.
- Make sure that all parts of the equipment are kept clean and free of dust.
- Always make sure that the power connections are connected correct and secure.
- If there is any malfunction of the equipment, contact your distributor immediately.
- When transferring the product, it is advisable to use the original packaging in which the product left the factory.
- Shields, lenses or ultraviolet screens shall be changed if they have become damaged to such an extent that their effectiveness is impaired.
- The lamp (LED) shall be changed if it has become damaged or thermally deformed.



Caution, risk of electric shock  
The light source contained in this luminaire shall only be replaced by the manufacturer or his service agent or a similar qualified person.

# 2 EASY FUNCTION OPERATION



plug in the power cord and press the switch to start the lamp

## 2.1 stent installation instructions

1. place the stand on the floor, loosen the bracket, extend and adjust the slider screws
2. pull the support leg outward, or extend the bracket and adjust the slider downward
3. after opening the bracket, adjust the stability of the bracket
4. finally, the LED lights fixed on a tripod

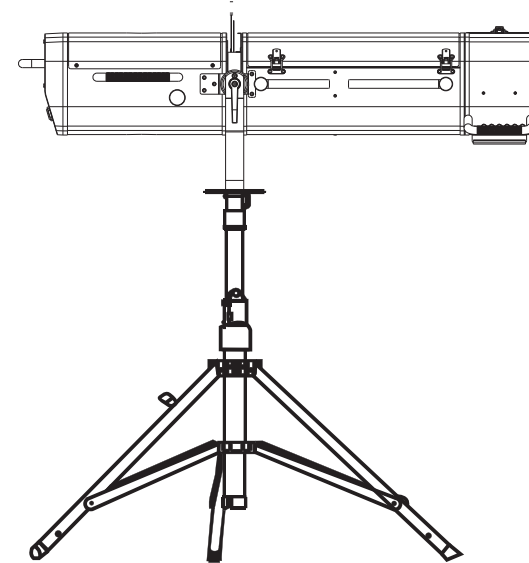


figure1