

雅江光电 YANJIANG OPTOELECTRONICS				图纸编号	RD-SS837-SM-001(SS-I)	版本号	A	
SS837SW HD SC HD英文说明书				编制日期		2020/5/23		
制作	刘丽萍	SSP	高文勇	审核		批准	余泽松	
文件名及路径								
旧物料编号								
新物料编号		1320109251		成品编码				
通用产品								
备注		以A4样板打印					F	



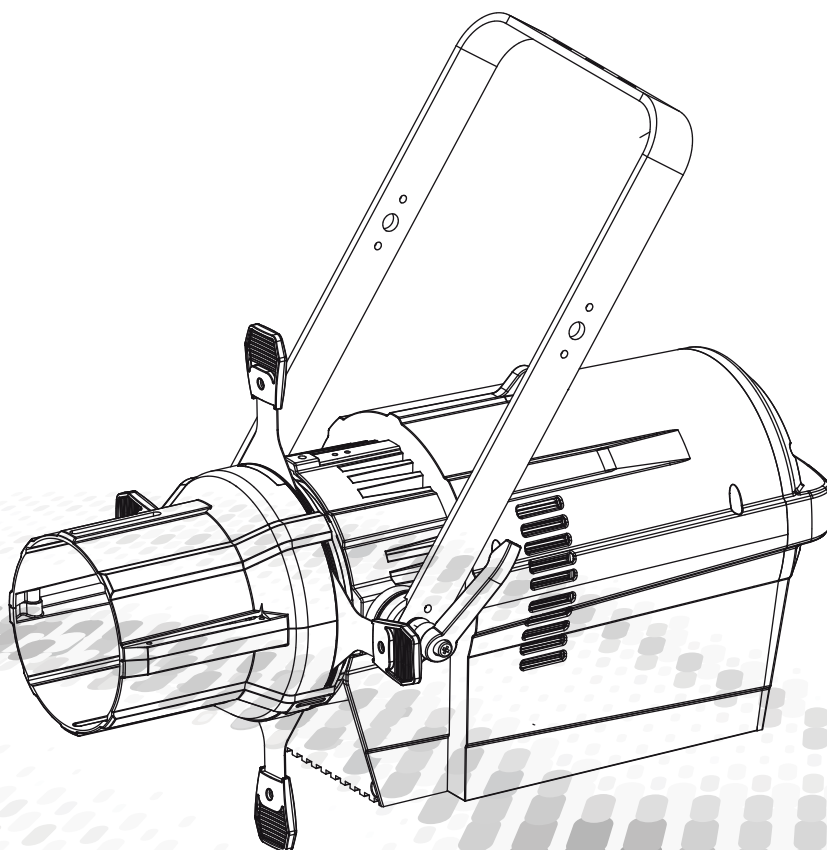
创意源于追求  
Own Idea Of Lighting

# ECLIPSE 1000 HD

## USER MANUAL



ECLIPSE 1000 HD  
SS837



MODELS:SS837SW HD/SS837SC HD



广州市雅江光电设备有限公司

Guangzhou Yajiang Photoelectric Equipment Ltd.

电话/Tel : 020-86947788 邮箱/E-mail : sales@yajiang.cn

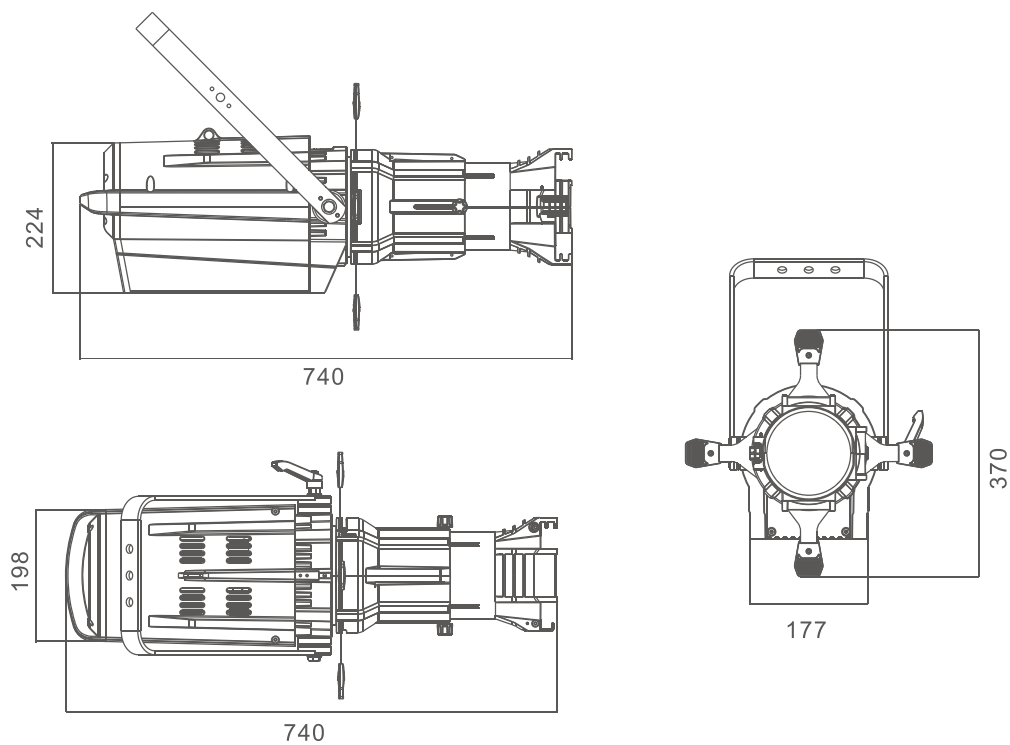
传真/Fax : 020-86943773 网址/Website : www.yajiang.cn

Since 1985

# 1 Product Introduction

## 1.1 Specification

Product Code	SS837SW HD/SS837SC HD
Dimension	740x198x224(mm)
Weight	9.2kg
Rated Power	400W
Input Voltage	100~240VAC
Frequency Range	50/60Hz
Ambient Temperature	0°C~45°C
Beam Angle	100~240VAC
LED quantity	400W LED



## 1.2 Safety warning

### IMPORTANT

Always read the user manual before operation.

Please confirm that the power supply stated on the product is the same as the mains power supply in your area.

- This product must be installed by a qualified professional.
- Always operate the equipment as described in the user manual.
- A minimum distance of 0.5m must be maintained between the equipment and combustible surface.
- The product must always be placed in a well ventilated area.
- Always make sure that the equipment is installed securely.
- Do not stand close to the equipment and stare directly into the LED light source.
- Always disconnect the power supply before attempting and maintenance.
- Always make sure that the supporting structure is solid and can support the combined weight of the products.
- The earth wire must always be connected to the ground.
- Do not touch the power cables if your hands are wet.
- Please protect the fixture and avoid destroy during transport and installation. If there is any damage of the coating, that will influence the sea-salt and waterproof function.

### ATTENTION



- This product left the place of manufacture in perfect condition. In order to maintain this condition and for safe operation, the user must always follow the instructions and safety warnings described in this user manual.
- Avoid shaking or strong impacts to any part of the equipment.
- Make sure that all parts of the equipment are kept clean and free of dust.
- Always make sure that the power connections are connected correct and secure.
- If there is any malfunction of the equipment, contact your distributor immediately.
- When transferring the product, it is advisable to use the original packaging in which the product left the factory.
- Shields, lenses or ultraviolet screens shall be changed if they have become damaged to such an extent that their effectiveness is impaired.
- The lamp (LED) shall be changed if it has become damaged or thermally deformed.



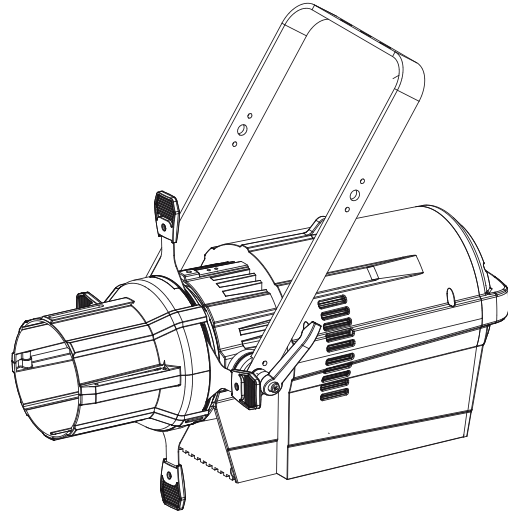
**Caution, risk of electric shock**  
**The light source contained in this luminaire shall only be replaced by the manufacturer or his service agent or a similar qualified person.**

# 2 INSTALLATION

## 2.1 MOUNTING

### HANGING

The LED fixture can be mounted in a hanging position using the supporting bracket. The bracket should be secured to the mounting truss or structure using a standard mounting clamp. Please note that when hanging the unit a safety cable should also be used.



## 2.2 POWER CONNECTIONS

- 220~240V: 5 units may be connected in series
- 110~120V: 3 units may be connected in series

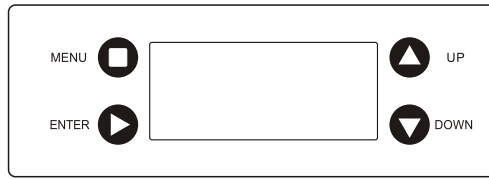
### Note:

If the signal cable is over 60m between the DMX512 controller and fixture or between two fixtures, then a DMX signal amplifier is needed as

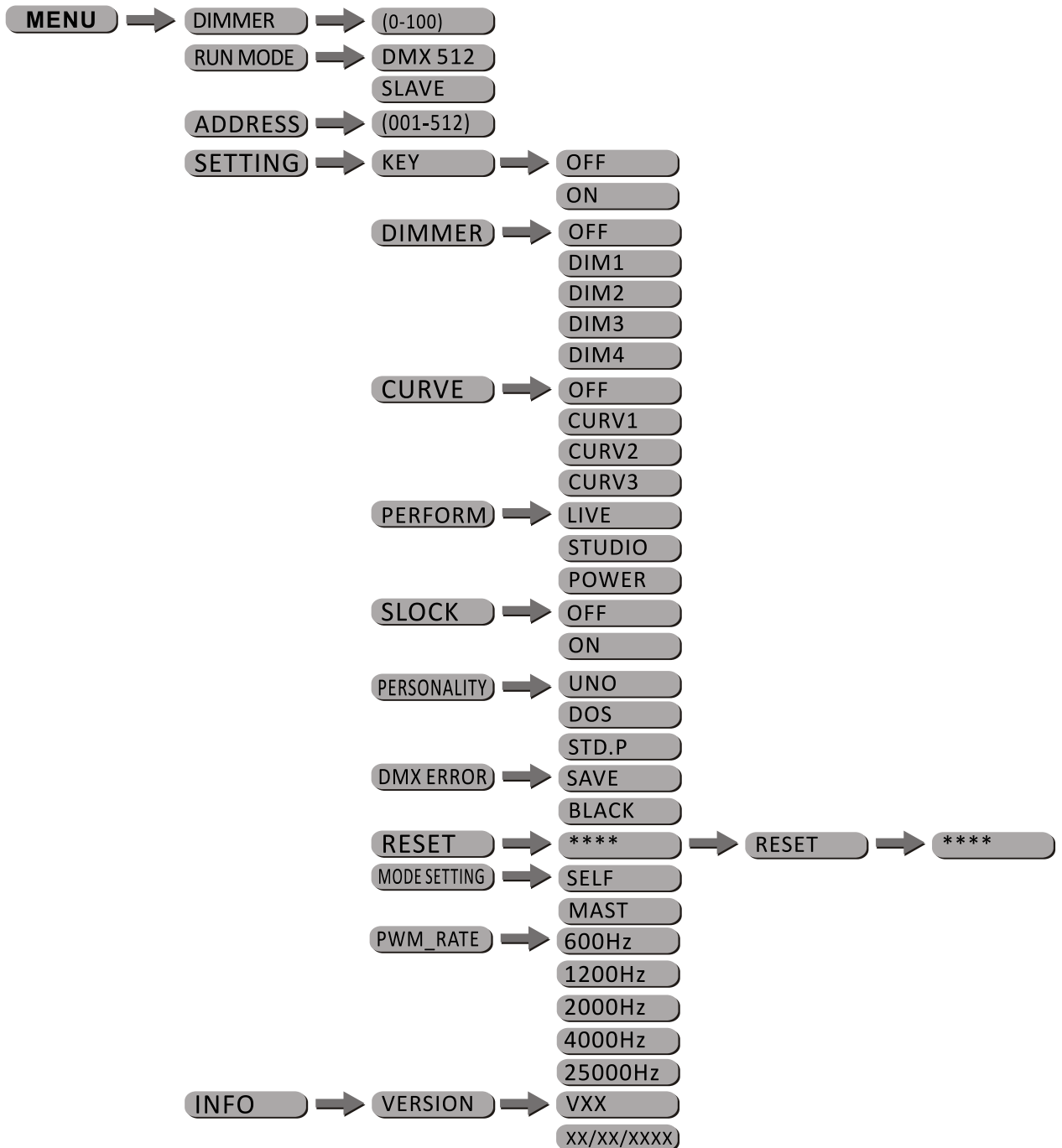
# 3 DISPLAY PANEL OPERATION

## 3.1 DISPLAY OPERATION

- ◆ MENU: BACK;
- ◆ ENTER: ENTER OR SAVE;
- ◆ DOWN: DOWN;
- ◆ UP: UP;



## 3.2 MENU MAP

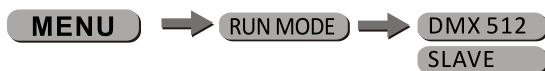


### 3.3 DIMMER



- [DIMMER]...this menu allows the user to manually control the intensity of the fixture. Use <UP> or <DOWN> keys to select required intensity.

### 3.4 RUN MODE



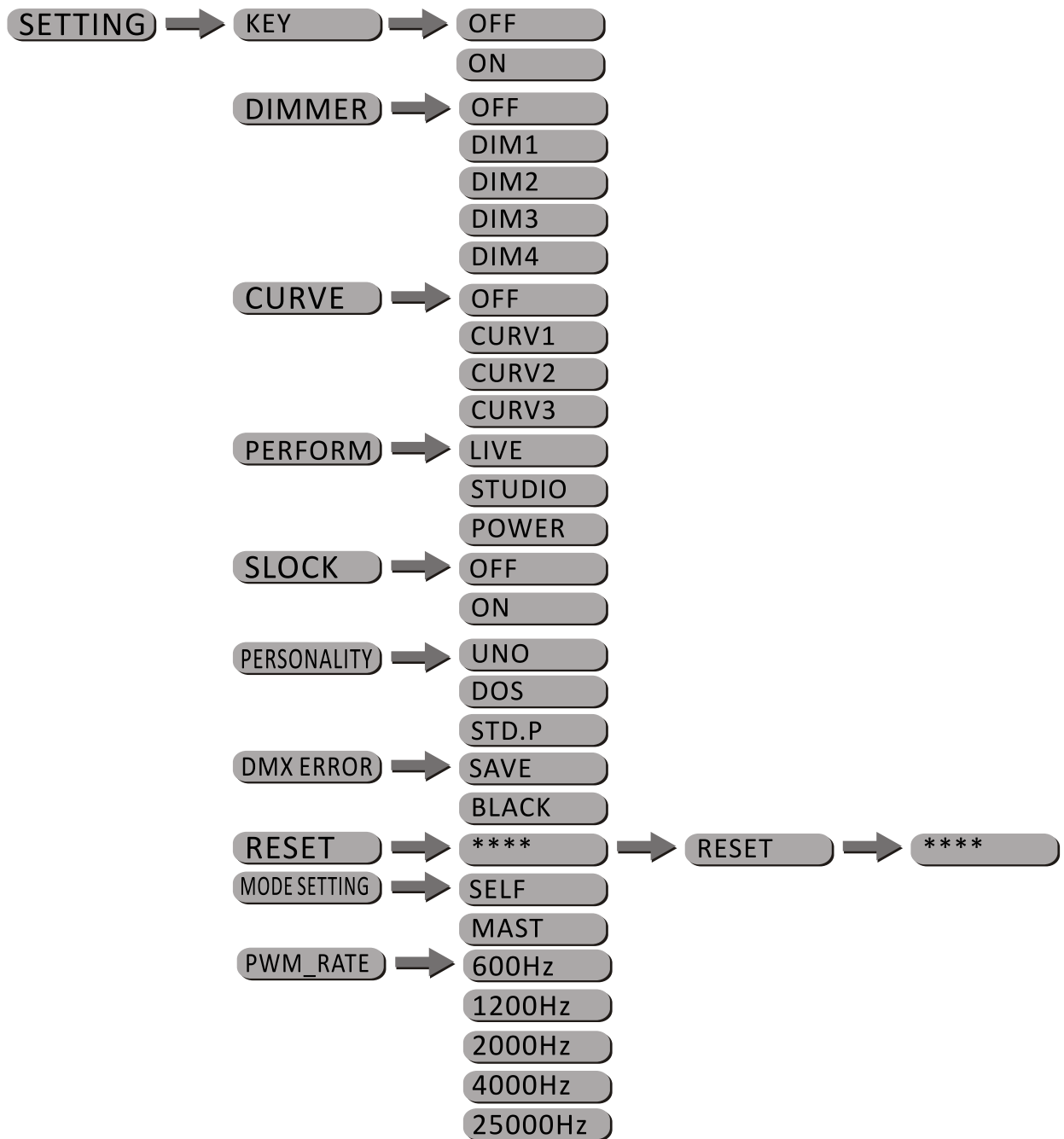
- [RUN MODE]...this menu allows the user to select the operating mode of the fixture.  
Select [DMX] for normal DMX operation or [SLAV] for slave operation.

### 3.5 DMX ADDRESS



- [ADDRESS]...this menu allows the user to select the start address of the fixture.  
Use <UP> or <DOWN> keys to select required start address.

### 3.6 SPECIAL SETTINGS



- [SETTING]...this menu allows the user to adjust key operation settings for this fixture. [KEY]...select [ON] for automatic lock-out. Password to re-enter the display is <UP> + <DOWN> + <UP> + <DOWN>.
- Select [DIM1], [DIM2], [DIM3] or [DIM4] for different dimming speeds. ([DIM4] is the slowest dimming speed)



- [CURVE] allows the user to adjust the shape of the dimming curve. See the CURV chart to Understand more about actual dimming curves.
  - [PERFORM]...this setting allows the user to select the performance characteristics of the fixture. [LIVE] mode is the default mode which balances the requirements of output and noise. [STUDIO] mode maintains extremely low noise at all times and operates at a moderated power level. [POWER] mode operates at high power for long periods of time without making considerations for noise levels.
  - [SLOCK] is used to lock the settings menu. When [SLCK] is set to [ON] then user must insert passcode (UP+DOWN+UP+DOWN) in order to access the settings menu.
  - [PERSONALITY]...this setting allows the user to select the DMX personality of the fixture. Refer to DMX personality charts for specific details.
  - [DMX ERROR] Choose[Save] in order to save the last DMX data incase of DMX signal error. Choose[Black] in order to blackout in case of DMX signal error.
  - In order to reset custom modes to default values select [RESET] .
  - [MODE SETTING]...this function allows the user to select whether the fixture will send DMX data to other fixtures during stand-alone operation. The [MAST] setting allows data to be sent to Other fixtures. The [SELF] setting is default and will not send DMX data to other fixtures.
  - <PWM\_RATE> is PWM refresh rate bottom, press UP/DOWN to choose <600Hz>、<1200Hz>、<2000Hz>、<4000Hz>、<25000Hz>
- Note: with refresh rate increased, gray rate of dimmer will be reduced, (that's means high refresh rate, low gray rate), when it's <4000Hz>, CV3 is invalid, when it's <25000Hz>, CV1 CV2 CV3 are invalid, so please lower PWM rate to increase gray rate in necessary.

### 3.7 INFO



- Select **【INFO】** from the menu in order to view the **【VERSION】** version UID number

# 4 USING A DMX512 CONTROLLER

## 4.1 CHANNEL ASSIGNMENT

- Note: This product have two DMX512 channel configuration:  
【 UNO 】 / 【 DOS 】 / 【 STD.P 】

### UNO

CHANNEL	VALUE	FUNCTION
1	0 ↔ 255	DIMMER

### DOS

CHANNEL	VALUE	FUNCTION
1	0 ↔ 255	DIMMER
2	0 ↔ 255	FINE DIMMER

### STD.P

CHANNEL	VALUE	FUNCTION
1	0 ↔ 255	DIMMER
2	0 ↔ 255	FINE DIMMER
3	0 ↔ 9	No strobe
	10 ↔ 99	Strobe (slow to fast)
	100 ↔ 109	No strobe
	110 ↔ 179	Lightning strobe (slow to fast)
	180 ↔ 189	No strobe
	190 ↔ 255	Random strobe (slow to fast)