

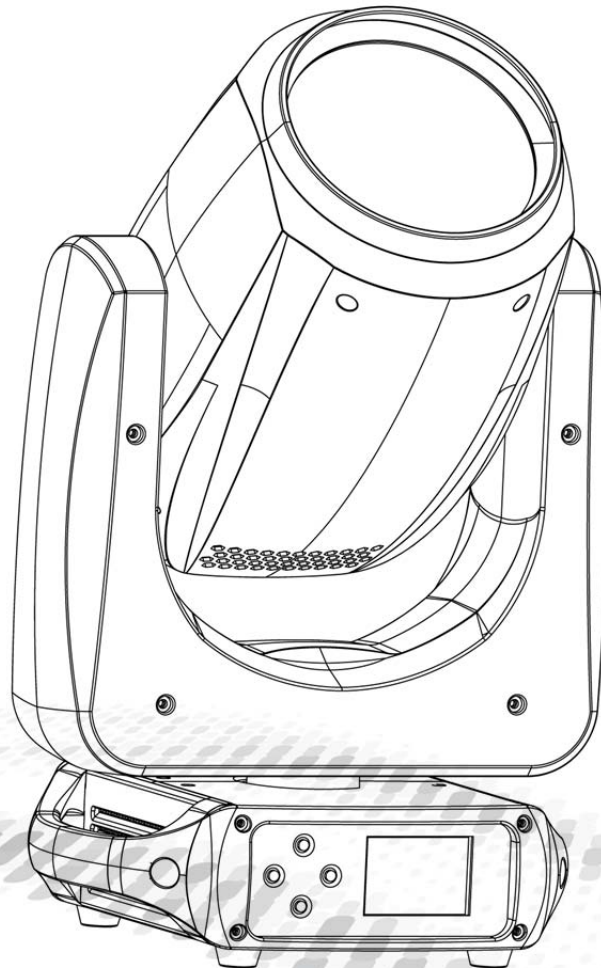
|                |                          |    |     |      |           |
|----------------|--------------------------|----|-----|------|-----------|
| 图纸编码           | RD-SS9151-SM-01(SS-I)    |    |     | 版本号  | B         |
| SS9151SC 英文说明书 |                          |    |     | 编辑日期 | 2020/5/19 |
| 制作             | 王宏杰                      | 审核 | 高文勇 | 批准   | 余泽松       |
| 物料编码           | 1320109239               |    |     |      |           |
| 备注             | 以 A4 样本打印<br>修改 3.1 内容信息 |    |     |      | H         |



创意源于追求  
Own Idea Of Lighting

# PLUTO BEAM

## USER MANUAL



**MODEL: SS9151SC**



— Since 1985 —

广州市雅江光电设备有限公司

Guangzhou Yajiang Photoelectric Equipment Ltd.

电话/ Tel : 020 -86947788 邮箱/E-mail : sales@yajiang.cn

传真/Fax : 020 -86943773 网址/Website : www.yajiang.cn

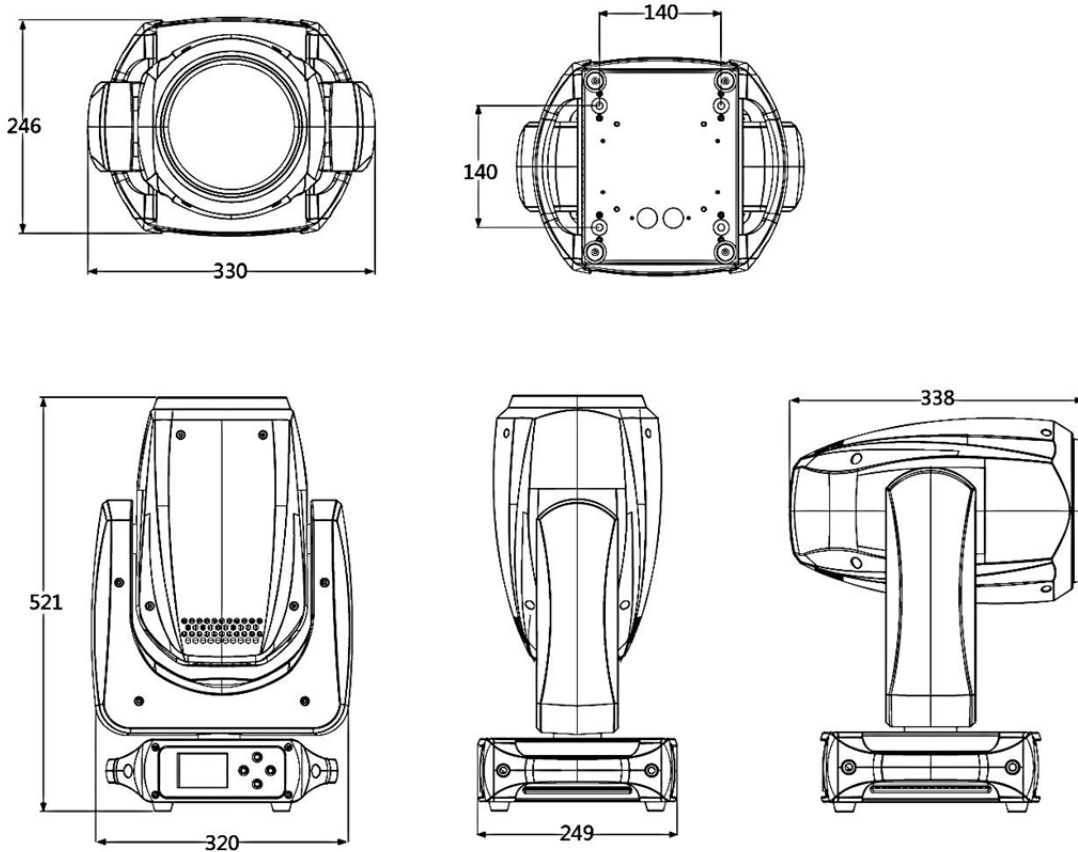


**PLUTO BEAM**  
**SS9151**

# 1 PRODUCT

## 1.1 TECHNICAL SPECIFICATIONS

|                       |                     |
|-----------------------|---------------------|
| Type                  | SS9151SC            |
| LED colors            | 130W Cool White LED |
| Power                 | 200W                |
| Voltage Range         | AC100~240V,50/60Hz  |
| Protection            | IP20                |
| Operation Temperature | 0°C~45°C            |
| Dimensions            | 330x249x521mm       |
| Weight                | 15kg                |





# PLUTO BEAM SS9151

## 1.2 Safety Notes

### **IMPORTANT**

- This product must be installed by a qualified professional.
- In order to maintain this condition and to ensure a safe operation, it is absolutely necessary for the user to follow the safety instructions and warning notes
- The manufacturer will not accept liability for any resulting damages caused by the non-observance of this manual or any unauthorized modification to the device.

### **CAUTION!**

- Make sure that the available voltage is not higher than stated on the rear panel.
- Do not touch the power cables if your hands are wet.
- The earth wire must always be connected to the ground. Therefore it is essential to connect the yellow/green conductor to earth.
- Make sure that the power-cord is never crimped or damaged by sharp edges. Check the device and the power-cord from time to time. The electric connection, repairs and servicing must be carried out by a qualified employee.
- Always disconnect power input cable to completely remove power from unit when not in use or before cleaning or servicing the fixture.
- Do not switch the fixture on and off in short intervals as this would reduce the lamp's life.
- Do not touch the device's housing bare hands during its operation (housing becomes hot)! The surface of the product's casing can reach up to 70° C (158° F) during operation. Avoid contact by persons and materials. Do not install the product in a location where there is a risk of accidental contact. Allow the product to cool for at least 10 minutes before handling.
- For replacement use lamps and fuses of same type and rating only.
- Please protect the fixture and avoid destroy during transport and installation. If there is any damage to the coating, the shell may be corroded.
- When hanging lamps and lanterns, it is necessary to verify that facilities and hooks can bear at least 10 times the weight of lamps and lanterns.
- Fix the safety rope at the correct holes only. Only operate the fixture after having checked that the housing is firmly closed and all screws are tightly fastened.
- The maximum ambient temperature 45°C must never be exceeded. Do not operate the product if the ambient temperature (Ta) exceeds 45° C (115° F).
- During the initial start-up some smoke or smell may arise. This is a normal process and does not necessarily mean that the device is defective.

### **Electrical Warning**

- The light source contained in this luminaire shall only be replaced by the manufacturer or his service agent or a similar qualified person
- For replacement use lamps and fuses of same type and rating only.
- The lens has to be replaced when it is obviously damaged, so that its function is impaired, e. g. due to cracks or deep scratches!



# PLUTO BEAM SS9151

## **Keep the product well away from flammable materials**

- Keep all combustible materials (e.g. fabric, wood, paper) at least 500 mm (20 in.) away from the product.
- Ensure that there is free and unobstructed airflow around the product. Provide a minimum clearance of 150 mm (6 in.) around fans and air vents.
- Do not illuminate surfaces within 3 m (10 ft.) of the product.
- Do not install a fuse that has a higher rating than the one originally installed in the product. Do not bypass fuses.
- Do not stick filters, masks or other materials onto optical components.
- If the fixture seems to be abnormally hot, shows signs of melting or emits smoke, disconnect the fixture from power immediately and allow it to cool. Do not touch the fixture without heatproof safety gloves. Keep the fixture well away from combustible and flammable materials.

**NEVER LOOK DIRECTLY INTO THE LIGHT SOURCE!  
RETINA INJURY RISK - MAY INDUCE BLINDNESS!**

**Do not point the front of the fixture towards the sun or other strong light sources. The front lens focuses and concentrates light just like a magnifying glass. Strong light can cause internal damage to the fixture, melting components or starting an internal fire within seconds.**

## **To avoid problems from strong light sources:**

- Do not expose the front of a fixture to sunlight or any other strong light source. Avoid pointing other high-powered beam lights directly at the fixture.
- Do not focus a light beam from one lighting fixture directly towards another.
- For outdoor applications during daylight, make sure that the front face of any fixture is shielded or points away from the sun, even when not in use.
- Do not expose the product to heat (from other lighting fixtures for example).



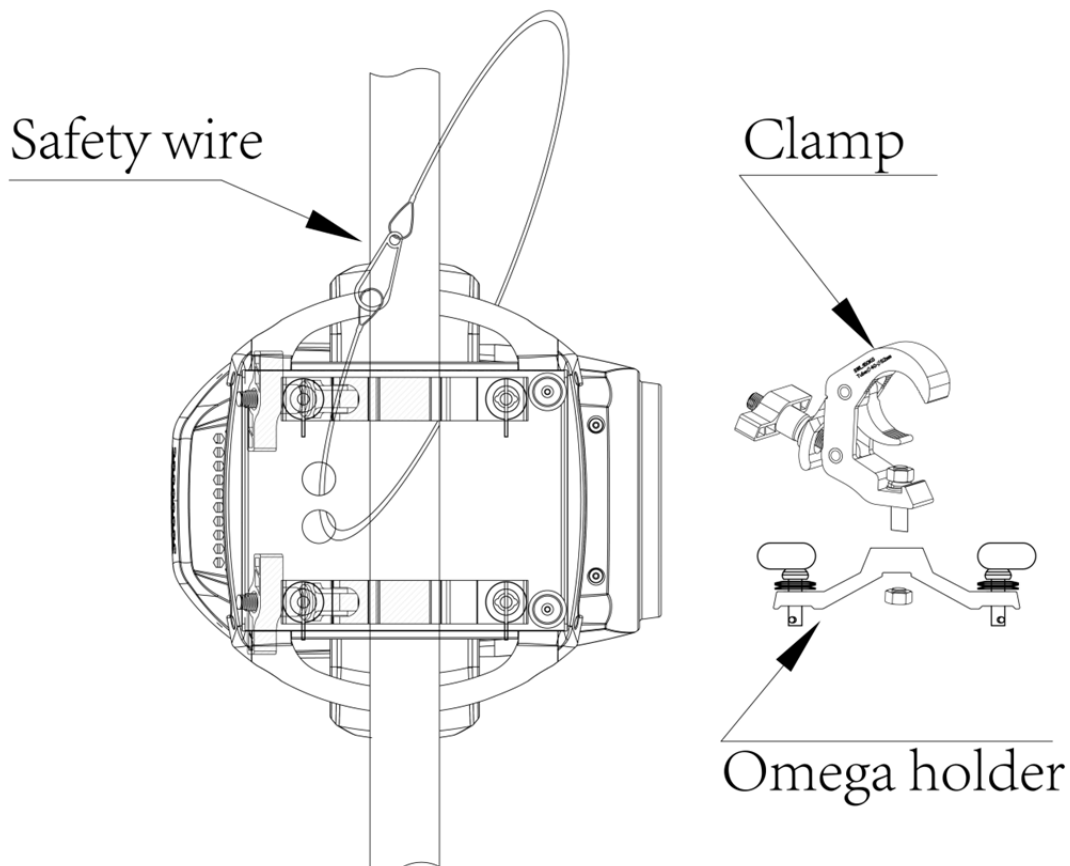
**PLUTO BEAM  
SS9151**

## 2 INSTALLATION

### 2.1 MOUNTING

#### Truss installation

- ◆ Keep all combustible materials (e.g. fabric, wood, paper) at least 500 mm (20 in.) away from the product.
- ◆ For overhead use, always install a safety cable that can hold at least 10 times the weight of the fixture.
- ◆ For overhead installation, the fixture must be always secured with a safety wire that can bear at least 10 times the weight of the fixture;
- ◆ Secure the fixture with a safety cable through the rear safety eye and truss as shown..
- ◆ Ensure that the structure (truss) to which you are attaching the fixture is secure





# PLUTO BEAM SS9151

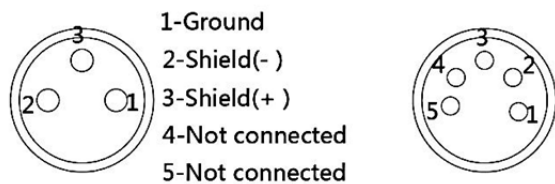
## 2.2 POWER CONNECTIONS

- ◆ This product has an auto-ranging power supply that can work with an input voltage range of 100–240 VAC, 50/60 Hz.

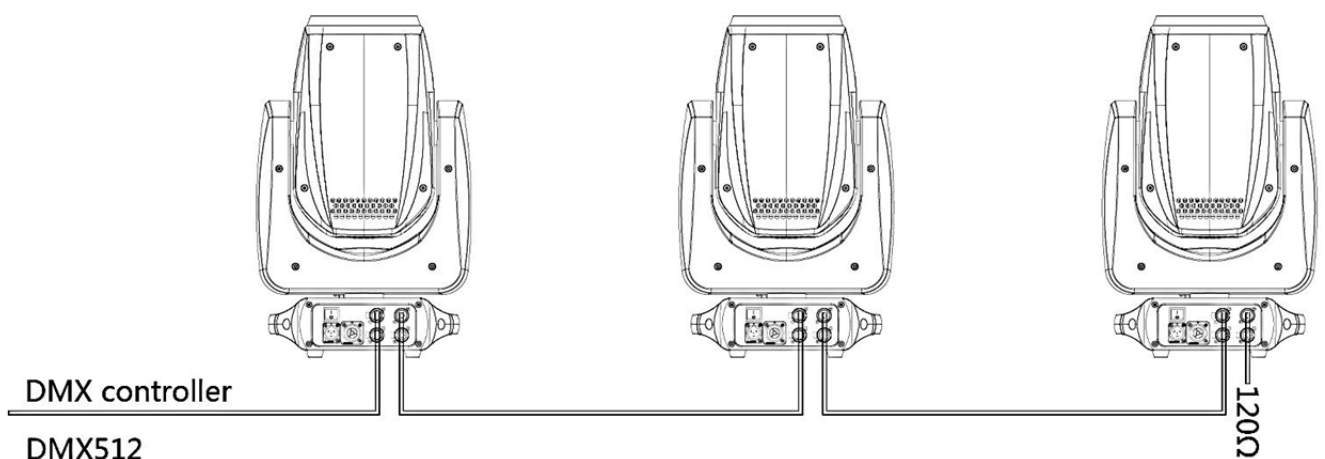
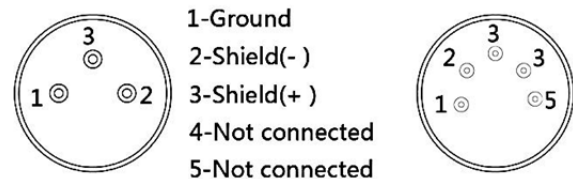
## 2.3 Data network requirements

- ◆ Connect the DMX512 controller to the units in series. A DMX 512 data link is required in order to control the fixture via DMX. The fixture has 3/5-pin XLR connectors for DMX data input and output.
- ◆ Each unit has 13 DMX channels so the DMX Addresses should increase by increments of 1, (Nx1)+1, (Nx2)+1, (Nx3)+1...
- ◆ Any DMX address in the range from 001 to 512 may be used.
- ◆ Connect the DMX-output of the first fixture in the DMX chain with the DMX-input of the next fixture. Always connect one output with the input of the next fixture until all fixtures are connected.
- ◆ Caution: At the last fixture, the DMX-cable has to be terminated with a terminator. Solder a 120 Ω resistor between Signal (-) and Signal (+) into a 3/5-pin XLR-plug and plug it in the DMX-output of the last fixture.

DMX-output  
XLR mounting-sockets



DMX-input  
XLR mounting-plugs

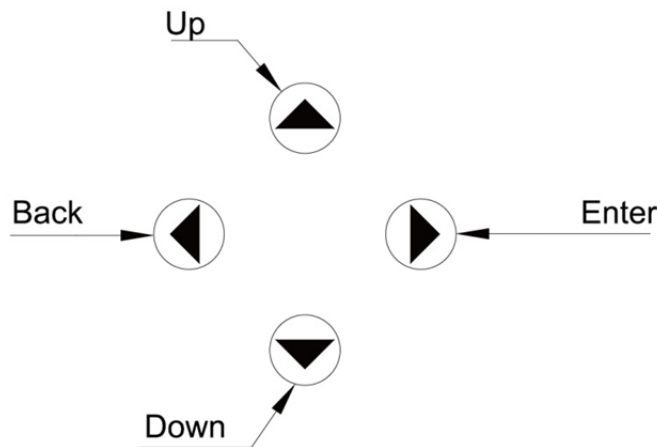




## 3 FUNCTIONS AND SETTINGS

### 3.1 DISPLAY OPERATION

- ◆ Up: Scroll 'Up' through the menu list or increase the value of the current function.
- ◆ Down: Scroll 'Down' through the menu list or decrease the value of the current function.
- ◆ Left(Back): Scroll through the main menu.
- ◆ Right(Enter): Enter the currently selected menu or confirm the current function value.



### 3.2 Menu Map

|         |                    |   |                                    |
|---------|--------------------|---|------------------------------------|
| ADDRESS | 001 - 512          | DMX address setting                         |                                    |
| PERSON  | BASIC              | Use the menu to select desired channel mode |                                    |
|         | STANDARD (Default) |   |                                    |
|         | EXTEND             |   |                                    |
|         | SY                 |   |                                    |
| RUNMODE | DMX512 (Default)   | Select Signal                               |                                    |
|         | AUTO               | Default: DMX512                             |                                    |
|         | CUSTOM1            | CUSTOM1-2 Set up get into EDIT MENU         |                                    |
|         | CUSTOM2            | edit  |                                    |
| OPTION  | PAN INVERT         | NORMAL(Default)                             | PAN moving direction selection     |
|         |                    | INVERT                                      |                                    |
|         | TILT INVERT        | NORMAL(Default)                             | TILT moving direction selection    |
|         |                    | INVERT                                      |                                    |
|         | PERFORM            | STUDIO                                      | Fan mode low speed                 |
|         |                    | POWER                                       | Fast rotation of fan, all power    |
|         |                    | LIVE (Default)                              | Automatic rotation of fan          |
|         | BLACKOUT           | OFF(Default)                                | Select OFF blackout without delay  |
|         |                    | ON  | Select ON Blackout delay 3s        |
|         | DIMMER             | DIM4(Default)                               | Dimming curves DIM1 (fast) to DIM4 |





# PLUTO BEAM SS9151

|             |                |                  |   |  |  |
|-------------|----------------|------------------|---|--|--|
|             |                | DIM3             |   | (slow)   |  |
|             |                | DIM2             |   |  |  |
|             |                | DIM1             |   |  |  |
|             |                | OFF              |   |  |  |
|             | LED PWM        | 1200Hz (Default) |   | Sets the PWM frequency   |  |
|             |                | 2000Hz           |   |  |  |
|             |                | 2400Hz           |   |  |  |
|             |                | 4000Hz           |   |  |  |
|             |                | 6000Hz           |   |  |  |
|             |                | 25000Hz          |   |  |  |
|             | DMX ERROR      | SAVE (Default)   |   | Hold after loss of DMX signal  |  |
|             |                | BLACK            |   | Blackout after loss of DMX signal  |  |
|             | DISPLAY INVERT | OFF(Default)     |   | Display reverse off  |  |
|             |                | ON               |   | Display reverse on   |  |
|             | DISPLAY TIME   | On               |   | Display backlight always on  |  |
|             |                | 30s              |   | Display light 30s  |  |
|             |                | 1min(Default)    |   | Display light 1min   |  |
|             |                | 2min             |   | Display light 2min   |  |
|             | DISPLAY LOCK   | OFF              |   | Locks display (passcode is <UP>, <DOWN>,<UP>, <DOWN>, <ENTER>)                   |  |
|             |                | ON(Default)      |   |  |  |
|             | LOAD PARA      | NO               |   | Upload data  |  |
|             |                | YES              |   | Not upload data  |  |
|             | SETTING        | RECOVERY         | ****  |  | Restore default factory settings.  |
|             |                | CLEAN EDIT1      | ****  |  | Clean customer self-editing scene 1  |
| CLEAN EDIT2 |                | ****             |   | Clean customer self-editing scene 2  |  |
| WDMX HIDE   |                | YES              |   | Hide wireless mode WDMX reset and signal hide and the default is wired mode only |  |
|             | NO             |                  |   |  |  |
| PT ENCODER  | OFF            |                  | XY Encoder switch.<br>OFF is close; ON is open. |  |  |
|             | ON             |                  |   |  |  |
| WDMX RESET  | NO             |                  | Do not clear the receiver's message.            |  |  |
|             | YES            |                  | Clear the receiver's message                    |  |  |
| SIGNAL      | ONLY XLRDMX    |                  | ONLY XLR is wire only                           |  |  |
|             | XLRDMX FIRST   |                  | XLR FIRST is wire first                         |  |  |
|             | ONLY WDMX      |                  | ONLY WDMX is wireless only                      |  |  |
|             | WDMX FIRST     |                  | WDMX FIRS is wireless first                     |  |  |
|             | WDMX TO XLRDMX |                  | WDMX TO DMX is wireless to wired                |  |  |
| EDIT        | EDIT 1-2       | STEP 1-14        | PAN   | 0-255  | Edit the custom programs1-30<br>Select play 【EDIT 1】 in RUNMOEDE CUSTOM 1; Select play 【EDIT 2】 in RUNMOEDE CUSTOM 2 |
|             |                |                  | TILT  | 0-255  |  |
|             |                |                  | PT SPEED  | 0-255  |  |
|             |                |                  | COLOR   | 0-255  |  |



# PLUTO BEAM SS9151

|              |               |              |   |   |                        |  |
|--------------|---------------|--------------|---|---|------------------------|--|
|              |               |              | FIXED GOBO                                | 0-255   |                        |  |
|              |               |              | PRISM1                                    | 0-255   |                        |  |
|              |               |              | PRISM2                                    | 0-255   |                        |  |
|              |               |              | FOCUS                                     | 0-255   |                        |  |
|              |               |              | RAINBOW.D                                 | 0-255   |                        |  |
|              |               |              | RAINBOW.R                                 | 0-255   |                        |  |
|              |               |              | DIMMER                                    | 0-255   |                        |  |
|              |               |              | STROBE                                    | 0-25  |                        |  |
|              |               |              | TIME                                      | 0-255   |                        |  |
|              |               |              | USE                                       | YES/NO  |                        | Select YES to run the steps user need. |
| MENUAL       | Auto Test     | Auto Test    | YES/NO                                    |   | Auto Test channel      |  |
|              | CHANNEL       | PAN          | 0-255                                     |   | Manual control channel |  |
|              |               | TILT         | 0-255                                     |   |                        |  |
|              |               | PT SPEED     | 0-255                                     |   |                        |  |
|              |               | COLOR        | 0-255                                     |   |                        |  |
|              |               | FIXED GOBO   | 0-255                                     |   |                        |  |
|              |               | PRISM1       | 0-255                                     |   |                        |  |
|              |               | PRISM2       | 0-255                                     |   |                        |  |
|              |               | FOCUS        | 0-255                                     |   |                        |  |
|              |               | RAINBOW.D    | 0-255                                     |   |                        |  |
|              |               | RAINBOW.R    | 0-255                                     |   |                        |  |
|              |               | DIMMER       | 0-255                                     |   |                        |  |
|              | STROBE        | 0-25         |   |   |                        |  |
|              | DEBUG HIDE    | NO           |   | Factory testing mode. All stepper motors are not controlled by signal, It only works again after the reset. |                        |  |
|              |               | YES          |   |   |                        |  |
| RESET        | ALL RESET     |              | Select Yes/No to carry out all reset hide |   |                        |  |
|              | PT RESET      |              | Select Yes/No to carry out P/T reset      |   |                        |  |
|              | COLOR SYS     |              | COLOR reset                               |   |                        |  |
|              | OTHER         |              | Zoom/ Focus/ Prism reset                  |   |                        |  |
| INFO         | FIXTURE HOURS |              | Hours of fixture use                      |   |                        |  |
|              | LED USE HOURS |              | LED use time                              |   |                        |  |
|              | TEMPERATURE   |              | LED temperature                           |   |                        |  |
|              | VERSION       |              | Software versions                         |   |                        |  |
|              | RDM           | UID          | 0x388Axxxxxxx                             |   | Check fixture's ID     |  |
|              |               | LABEL        | PLUTO BEAM                                |   | Check fixture's LABEL  |  |
|              | SYSTEM ERROR  | MEMORY IC    |   | Memory IC   |                        |  |
|              |               | ANGLESENSOR  |   | Angle Sensor  |                        |  |
|              |               | PAN SENSOR   |   | PAN SENSOR  |                        |  |
|              |               | PAN ENCODER  |   | PAN ENCODER   |                        |  |
| PAN DRIVE IC |               | PAN DRIVE IC |   |   |                        |  |



# PLUTO BEAM SS9151

|         |      |                   |         |                                     |
|---------|------|-------------------|---------|-------------------------------------|
|         |      | TILT SENSOR       |         | TILT SENSOR                         |
|         |      | TILT ENCODER      |         | TILT ENCODER                        |
|         |      | TILT DRIVEIC      |         | TILT DRIVEIC                        |
|         |      | TEMPERATURE       |         | TEMPERATURE                         |
|         |      | COLOR RESET       |         | COLOR RESET                         |
|         |      | FGOBO RESET       |         | FGOBO RESET                         |
|         |      | PRISM1 RESET      |         | PRISM1 RESET                        |
|         |      | PRISM2 RESET      |         | PRISM2 RESET                        |
|         |      | FOCUS RESET       |         | FOCUS RESET                         |
|         |      | RAINBOW RESET     |         | RAINBOW RESET                       |
| SERVICE | **** | PAN               | ±127    | Pan position fine adjustment        |
|         |      | TILT              | ±127    | Tilt position fine adjustment       |
|         |      | COLOR             | ±127    | Color position fine adjustment      |
|         |      | FIXED GOBO        | ±127    | Fixed Gobo position fine adjustment |
|         |      | PRISM1            | ±127    | Prism 1 position fine adjustment    |
|         |      | PRISM2            | ±127    | Prism 2 position fine adjustment    |
|         |      | FOCUS             | ±127    | Focus position fine adjustment      |
|         |      | RAINBOW           | ±127    | RAINBOW position fine adjustment    |
|         |      | LED DIMMER        | 128-255 |                                     |
|         |      | Rest Fixture Time |         | Rest fixture time                   |
|         |      | Rest LED Time     |         | Rest LED time                       |

**All passwords of this product are <UP>, <DOWN>, <UP>, <DOWN>, <ENTER>**



**PLUTO BEAM**  
**SS9151**

# 4 USING A DMX512 CONTROLLER

## 4.1 DMX CONTROL

| BASIC<br>(13CH) | STANDARD<br>(15CH)                        | Extend<br>(18CH) | Value                       | Function                                  |
|-----------------|---|------------------|-----------------------------|---|
| CH.1            | CH.1                                      | CH.1             | 000-255                     | PAN 0-540°                                |
| -               | CH.2                                      | CH.2             | 000-255                     | PAN FINE                                  |
| CH.2            | CH.3                                      | CH.3             | 000-255                     | TILT 0-270°                               |
| -               | CH.4                                      | CH.4             | 000-255                     | TILT FINE                                 |
| CH.3            | CH.5                                      | CH.5             | 000-255                     | PT Speed                                  |
| CH.4            | CH.6                                      | CH.6             | <b>COLOUR WHELL9+1</b>      |   |
|                 |   |                  | 000-007                     | WHITE                                     |
|                 |   |                  | 008-013                     | COLOR1                                    |
|                 |   |                  | 014-019                     | COLOR2                                    |
|                 |   |                  | 020-025                     | COLOR3                                    |
|                 |   |                  | 026-031                     | COLOR4                                    |
|                 |   |                  | 032-037                     | COLOR5                                    |
|                 |   |                  | 038-043                     | COLOR6                                    |
|                 |   |                  | 044-049                     | COLOR7                                    |
|                 |   |                  | 050-055                     | COLOR8                                    |
|                 |   |                  | 056-063                     | COLOR9                                    |
|                 |   |                  | 064-191                     | COLOR WHELL10-360°                        |
|                 |   |                  | 192-222                     | COLOR WHELL1 RAINBOW EFFECT(SPEED 100%→1) |
|                 |   |                  | 223-224                     | STOP                                      |
| 225-255         | COLOR WHELL1 RAINBOW EFFECT(SPEED 1→100%) |                  |                             |   |
| -               | -   | CH.7             | 000-255                     | 000-255                                   |
| CH.5            | CH.7                                      | CH.8             | <b>FIXED GOBO WHEEL14+1</b> |   |
|                 |   |                  | 0-10                        | WHITE                                     |
|                 |   |                  | 11-17                       | FIXED GOBO 1                              |
|                 |   |                  | 18-24                       | FIXED GOBO 2                              |
|                 |   |                  | 25-31                       | FIXED GOBO 3                              |
|                 |   |                  | 32-38                       | FIXED GOBO 4                              |
|                 |   |                  | 39-45                       | FIXED GOBO 5                              |
|                 |   |                  | 46-52                       | FIXED GOBO 6                              |
|                 |   |                  | 53-59                       | FIXED GOBO 7                              |
|                 |   |                  | 60-66                       | FIXED GOBO 8                              |
|                 |   |                  | 67-73                       | FIXED GOBO 9                              |
|                 |   |                  | 74-80                       | FIXED GOBO 10                             |
|                 |   |                  | 81-87                       | FIXED GOBO 11                             |
|                 |   |                  | 88-94                       | FIXED GOBO 12                             |
| 85-102          | FIXED GOBO 13                             |                  |                             |   |



# PLUTO BEAM SS9151

|       |       |       |                              |   |
|-------|-------|-------|------------------------------|---|
|       |       |       | 103-110                      | FIXED GOBO 14                                       |
|       |       |       | 111-118                      | FIXED GOBO 1 SHAKE (SPEED 1 → 100%)                 |
|       |       |       | 119-126                      | FIXED GOBO 2 SHAKE (SPEED 1 → 100%)                 |
|       |       |       | 127-134                      | FIXED GOBO 3 SHAKE (SPEED 1 → 100%)                 |
|       |       |       | 135-142                      | FIXED GOBO 4 SHAKE (SPEED 1 → 100%)                 |
|       |       |       | 143-150                      | FIXED GOBO 5 SHAKE (SPEED 1 → 100%)                 |
|       |       |       | 151-158                      | FIXED GOBO 6 SHAKE (SPEED 1 → 100%)                 |
|       |       |       | 159-166                      | FIXED GOBO 7 SHAKE (SPEED 1 → 100%)                 |
|       |       |       | 167-174                      | FIXED GOBO 8 SHAKE (SPEED 1 → 100%)                 |
|       |       |       | 175-182                      | FIXED GOBO 9 SHAKE (SPEED 1 → 100%)                 |
|       |       |       | 183-190                      | FIXED GOBO 10 SHAKE (SPEED 1 → 100%)                |
|       |       |       | 191-198                      | FIXED GOBO 11 SHAKE (SPEED 1 → 100%)                |
|       |       |       | 199-206                      | FIXED GOBO 12 SHAKE (SPEED 1 → 100%)                |
|       |       |       | 207-214                      | FIXED GOBO 13 SHAKE (SPEED 1 → 100%)                |
|       |       |       | 215-222                      | FIXED GOBO 14 SHAKE (SPEED 1 → 100%)                |
|       |       |       | 223-230                      | WHITE   |
|       |       |       | 231-238                      | STATIC GOBO POSITIVE WATER EFFECT (SPEED 100 → 1%)  |
|       |       |       | 239-246                      | STOP WATER EFFECT                                   |
|       |       |       | 247-255                      | STATIC GOBO REVERSE WATER EFFECT (SPEED 1 → 100%)   |
| CH.6  | CH.8  | CH.9  | 0-255                        | RAINBOW Insert effect wheel                         |
| CH.7  | CH.9  | CH.10 | <b>RAINBOW DISC ROTATION</b> |   |
|       |       |       | 0-10                         | Rotation STOP                                       |
|       |       |       | 11-127                       | RAINBOW Insertion CW Rotate Slow to Fast            |
|       |       |       | 128-138                      | Rotation STOP                                       |
|       |       |       | 139-255                      | RAINBOW Insertion CCW Rotate Fast to Slow           |
| CH.8  | CH.10 | CH.11 | <b>PRISM1</b>                |   |
|       |       |       | 0-10                         | WHITE   |
|       |       |       | 11-145                       | PRISM INSERT AND ADJUST THE ANGLE (0 → 360°)        |
|       |       |       | 146-150                      | STOP  |
|       |       |       | 151-200                      | PRISM INSERT AND POSITIVE ROTATION (SPEED 100% → 1) |
|       |       |       | 201-205                      | STOP  |
|       |       |       | 206-255                      | PRISM INSERT AND REVERSE ROTATION (SPEED 1 → 100%)  |
| CH.9  | CH.11 | CH.12 | <b>PRISM2</b>                |   |
|       |       |       | 0-10                         | WHITE   |
|       |       |       | 11-145                       | PRISM INSERT AND ADJUST THE ANGLE (0 → 360°)        |
|       |       |       | 146-150                      | STOP  |
|       |       |       | 151-200                      | PRISM INSERT AND POSITIVE ROTATION (SPEED 100% → 1) |
|       |       |       | 201-205                      | STOP  |
|       |       |       | 206-255                      | PRISM INSERT AND REVERSE ROTATION (SPEED 1 → 100%)  |
| CH.10 | CH.12 | CH.13 | 0-255                        | FOCUS   |
| -     | -     | CH.14 | 0-255                        | FOCUS FINE  |



# PLUTO BEAM SS9151

|         |             |       |   |                            |
|---------|-------------|-------|---|----------------------------|
| CH.11   | CH.13       | CH.15 | 0-255                                   | DIMMER                     |
| -       | -           | CH.16 | 0-255                                   | DIMMER FINE                |
| CH.12   | CH.14       | CH.17 | <b>STROBE</b>                           |                            |
|         |             |       | 0-9                                     | NO FUNCTION                |
|         |             |       | 10-99                                   | STROBE (FROM SLOW TO FAST) |
|         |             |       | 100-109                                 | NO FUNCTION                |
|         |             |       | 110-179                                 | LIGHTNING STROBE           |
|         |             |       | 180-189                                 | NO FUNCTION                |
|         |             |       | 190-255                                 | RANDOM SROBE               |
| CH.13   | CH.15       | CH.18 | <b>CONTROL(EXECUTE AFTER 3 SECONDS)</b> |                            |
|         |             |       | 000-010                                 | NO FUNCTION                |
|         |             |       | 011-020                                 | PAN/TILT BLACK ACTIVATED   |
|         |             |       | 021-030                                 | PAN/TILT BLACK DEACTIVATED |
|         |             |       | 031-040                                 | PAN INVERT                 |
|         |             |       | 041-050                                 | TILT INVERT                |
|         |             |       | 051-060                                 | PAN/TILT INVERT OFF        |
|         |             |       | 061-070                                 | STUDIO                     |
|         |             |       | 071-080                                 | POWER                      |
|         |             |       | 081-090                                 | LIVE                       |
|         |             |       | 091-100                                 | DIM4                       |
|         |             |       | 101-110                                 | DIM3                       |
|         |             |       | 111-120                                 | DIM2                       |
|         |             |       | 121-130                                 | DIM1                       |
|         |             |       | 131-140                                 | DIM0                       |
|         |             |       | 141-150                                 | 1200Hz                     |
|         |             |       | 151-160                                 | 2000Hz                     |
|         |             |       | 161-170                                 | 2400Hz                     |
|         |             |       | 171-180                                 | 4000Hz                     |
|         |             |       | 181-190                                 | 6000Hz                     |
|         |             |       | 191-200                                 | 25000Hz                    |
|         |             |       | 201-210                                 | ALL RESET                  |
|         |             |       | 211-220                                 | XY RESET                   |
|         |             |       | 221-230                                 | COLOR GOBO SYSTEM RESET    |
| 231-240 | FOCUS RESET |       |   |                            |
| 241-255 | PRISM RESET |       |   |                            |



# PLUTO BEAM SS9151

| SY<br>(16CH) | VALUE                                     | FUNCTION                                  |
|--------------|---|---|
| CH.1         | <b>COLOUR WHELL9+1</b>                    |   |
|              | 000-007                                   | WHITE                                     |
|              | 008-013                                   | COLOR1                                    |
|              | 014-019                                   | COLOR2                                    |
|              | 020-025                                   | COLOR3                                    |
|              | 026-031                                   | COLOR4                                    |
|              | 032-037                                   | COLOR5                                    |
|              | 038-043                                   | COLOR6                                    |
|              | 044-049                                   | COLOR7                                    |
|              | 050-055                                   | COLOR8                                    |
|              | 056-063                                   | COLOR9                                    |
|              | 064-191                                   | COLOR WHELL10-360°                        |
|              | 192-222                                   | COLOR WHELL1 RAINBOW EFFECT(SPEED 100%→1) |
|              | 223-224                                   | STOP                                      |
| 225-255      | COLOR WHELL1 RAINBOW EFFECT(SPEED 1→100%) |   |
| CH.2         | <b>STROBE</b>                             |   |
|              | 0-3                                       | NO LIGHT                                  |
|              | 4-103                                     | STROBE ( FROM SLOW TO FAST )              |
|              | 104-107                                   | NO FUNCTION (100% light)                  |
|              | 108-207                                   | LIGHTNING STROBE                          |
|              | 208-212                                   | NO FUNCTION (100% light)                  |
|              | 213-251                                   | RANDOM SROBE                              |
| 252-255      | NO FUNCTION (100% light)                  |   |
| CH.3         | 0-255                                     | <b>DIMMER</b>                             |
| CH.4         | <b>FIXED GOBO WHEEL14+1</b>               |   |
|              | 0-3                                       | NO FUNCTION (100% light)                  |
|              | 4-7                                       | FIXED GOBO 1                              |
|              | 8-11                                      | FIXED GOBO 2                              |
|              | 12-15                                     | FIXED GOBO 3                              |
|              | 16-19                                     | FIXED GOBO 4                              |
|              | 20-23                                     | FIXED GOBO 5                              |
|              | 24-27                                     | FIXED GOBO 6                              |
|              | 28-31                                     | FIXED GOBO 7                              |
|              | 32-35                                     | FIXED GOBO 8                              |
|              | 36-39                                     | FIXED GOBO 9                              |
|              | 40-43                                     | FIXED GOBO 10                             |
|              | 44-47                                     | FIXED GOBO 11                             |
| 48-51        | FIXED GOBO 12                             |   |
| 52-55        | FIXED GOBO 13                             |   |



# PLUTO BEAM

## SS9151

|      |                                    |   |
|------|------------------------------------|---|
|      | 56-59                              | FIXED GOBO 14   |
|      | 60-72                              | NO FUNCTION   |
|      | 72-113                             | STATIC GOBO POSITIVE WATER EFFECT (SPEED 100 → 1%)      |
|      | 114-117                            | STOP WATER EFFECT                                       |
|      | 118-159                            | STATIC GOBO REVERSE WATER EFFECT (SPEED 1 → 100%)       |
|      | 160-166                            | FIXED GOBO 2 SHAKE (SPEED 1 → 100%)                     |
|      | 167-172                            | FIXED GOBO 3 SHAKE (SPEED 1 → 100%)                     |
|      | 173-179                            | FIXED GOBO 4 SHAKE (SPEED 1 → 100%)                     |
|      | 180-185                            | FIXED GOBO 5 SHAKE (SPEED 1 → 100%)                     |
|      | 186-191                            | FIXED GOBO 6 SHAKE (SPEED 1 → 100%)                     |
|      | 192-198                            | FIXED GOBO 7 SHAKE (SPEED 1 → 100%)                     |
|      | 199-204                            | FIXED GOBO 8 SHAKE (SPEED 1 → 100%)                     |
|      | 205-211                            | FIXED GOBO 9 SHAKE (SPEED 1 → 101%)                     |
|      | 212-217                            | FIXED GOBO 10 SHAKE (SPEED 1 → 101%)                    |
|      | 218-223                            | FIXED GOBO 11 SHAKE (SPEED 1 → 101%)                    |
|      | 224-230                            | FIXED GOBO 12 SHAKE (SPEED 1 → 101%)                    |
|      | 231-236                            | FIXED GOBO 13 SHAKE (SPEED 1 → 101%)                    |
|      | 237-243                            | FIXED GOBO 14 SHAKE (SPEED 1 → 101%)                    |
|      | 244-255                            | NO FUNCTION   |
| CH.5 | <b>PRISM INSERTION (16 Prism)</b>  |   |
|      | 0-127                              | WHITE   |
|      | 128-255                            | 16 Facet Prism INSERTION                                |
| CH.6 | <b>PRISM ROTATION (16 Prism)</b>   |   |
|      | 0-127                              | PRISM ADJUST THE ANGLE (0 → 360°)                       |
|      | 128-190                            | PRISM POSITIVE ROTATION (SPEED 100% → 1)                |
|      | 191-192                            | STOP  |
|      | 193-255                            | PRISM REVERSE ROTATION (SPEED 1 → 100%)                 |
| CH.7 | <b>RAINBOW EFFECT WHEEL</b>        |   |
|      | 0-10                               | WHITE   |
|      | 11-145                             | ANIMATION INSERT AND ADJUST THE ANGLE (0 → 360°)        |
|      | 146-150                            | STOP  |
|      | 151-200                            | ANIMATION INSERT AND POSITIVE ROTATION (SPEED 100% → 1) |
|      | 201-205                            | STOP  |
|      | 206-255                            | ANIMATION INSERT AND REVERSE ROTATION (SPEED 1 → 100%)  |
| CH.8 | <b>PRISM EFFECT (Linear Prism)</b> |   |
|      | 0-10                               | WHITE   |
|      | 11-127                             | PRISM INSERTION   |
|      | 128-191                            | ANIMATION INSERT AND LEFT ROTATION (SPEED 100% → 1)     |
|      | 192                                | STOP  |
|      | 193-255                            | ANIMATION INSERT AND RIGHT ROTATION (SPEED 1 → 100%)    |
| CH.9 | 0-255                              | <b>FOCUS</b>  |





# PLUTO BEAM SS9151

|         |                     |                            |
|---------|---------------------|----------------------------|
| CH.10   | 0-255               | <b>PAN</b>                 |
| CH.11   | 0-255               | <b>PAN FINE</b>            |
| CH.12   | 0-255               | <b>TILT</b>                |
| CH.13   | 0-255               | <b>TILT FINE</b>           |
| CH.14   | <b>FUNCTION</b>     |                            |
|         | 000-010             | NO FUNCTION                |
|         | 011-020             | PAN/TILT BLACK ACTIVATED   |
|         | 021-030             | PAN/TILT BLACK DEACTIVATED |
|         | 031-040             | PAN INVERT                 |
|         | 041-050             | TILT INVERT                |
|         | 051-060             | PAN/TILT INVERT OFF        |
|         | 061-070             | STUDIO                     |
|         | 071-080             | POWER                      |
|         | 081-090             | LIVE                       |
|         | 091-100             | DIM4                       |
|         | 101-110             | DIM3                       |
|         | 111-120             | DIM2                       |
|         | 121-130             | DIM1                       |
|         | 131-140             | DIM0                       |
|         | 141-150             | 1200Hz                     |
|         | 151-160             | 2000Hz                     |
|         | 161-170             | 2400Hz                     |
|         | 171-180             | 4000Hz                     |
|         | 181-190             | 6000Hz                     |
| 191-200 | 25000Hz             |                            |
| 201-255 | NO FUNCTION         |                            |
| CH.15   | <b>RESRT</b>        |                            |
|         | 000-025             | UNUSED RANGE               |
|         | 26-76               | EFFECTS RESET              |
|         | 77-127              | PAN/TILT RESET             |
| 128-255 | COMPLETE RESET      |                            |
| CH.16   | <b>LAMP CONTROL</b> |                            |
|         | 0-25                | UNUSED RANGE               |
|         | 26-100              | LAMP OFF                   |
| 101-255 | LAMP ON             |                            |