

# PLUTO BEAM

## SS9151SC



### PRODUCT INTRODUCTION

PLUTO BEAM is a ultra-compact moving beam with supper narrow angle 1.7°. And it is super high efficiency by using big lens 152mm design. It's incredible double prism can create a stronger and sharper beam effect. It is an ideal product for concerts, events, theme park, TV and rental market.

### Product parameters

#### Optical system

Light source 150W module  
Angle 1.7°

#### Appearance

Size 330X249X521mm  
Weight 15kg  
Casing Flame-retardant plastic (V0)  
Color Black

#### Electrical Specs

Voltage AC100-240V, 50/60Hz  
Max. Power 200W  
Power Connection Power in/out  
Signal socket 3pin or 5pin in and out

#### Control System

Pan/Tilt rotation 540°/270°(8-16bit)  
Dimmer 0-100%16Bit  
Cooling Forced Convection  
Control DMX512, RDM, W-DMX (optional)

Display On board Control, Custom Mode,0-25Hz Strobe  
Con Personality BASIC/13CHS, STANDARD/15CHS, Extend/18CHS  
Special Pan/Tilt movement blackout, User-selectable pan/tilt ranges

#### Effect synthetic system

Static gobo wheel 14+1 Gobos+ White, Gobo-flow effect, Gobo shake  
Colors One color wheel(9 dichroic -filters+ White, Rainbow-flow effect)  
Prism 1pcs 8+16 facet prism prisms, One piece of linear prism

Effect Gobo Rainbow effect rotating gobo wheel

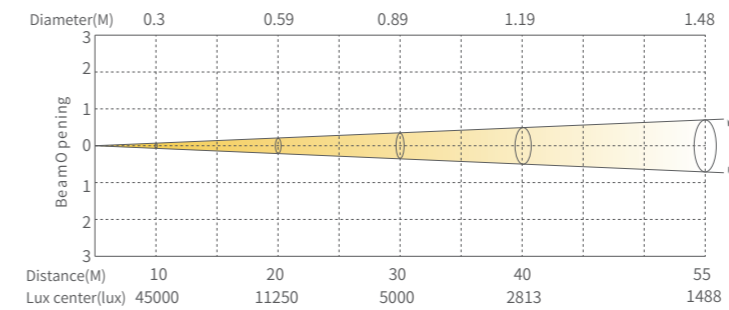
#### Certification

CE, MET

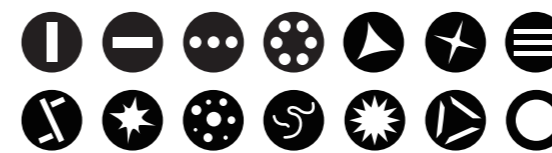
#### Work Environment

Ambient Temp 0-45°C  
IP Rated IP20

### ILLUMINANCE AT DISTANCE



### Static gobo wheel



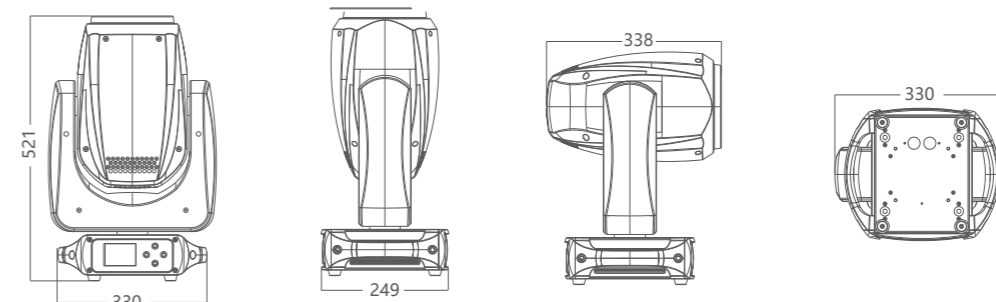
### Color



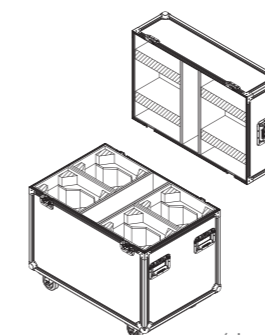
### Effect Gobo



### DIMENSIONS



### ACCESSORIES (Accessories not included unless otherwise stated)



Wireless receiver Kit  
(2440010666)

1320400254

Four Flight Case  
(shared with and without light hook)