

NEW

PLUTO 2000 HEX MK2

SS9361XHE



PRODUCT INTRODUCTION

PLUTO 2000 HEX is the new generation full color range moving wash-RGBALC. Beam angle 8°-25°, Field angle 13°-45°. Color mixing control system-HSIC, can pick up any color you want. CCT 2700K to 8000K, high CRI, ring control for dynamic effects, intelligent CCS- color consistency system (Yajiang patent), keep the same color consistency in different intensity for each model. Ideal tool for all the applications.

PRODUCT PARAMETERS

Optical system

Light source 7x60W (RGBALC)
 Beam angle 8°-36°
 Field angle 13°-45°
 CRI RA 95

Appearance

Size 293x249x375mm
 Weight 9.3kg
 Casing Flame-retardant plastic (V0)
 Color Black

Electrical Specs

Voltage 100-240VAC, 50/60Hz
 Max. Power 328W
 Power Connection power in and out
 Signal socket 3pin or 5pin in and out, RJ45 in and out for Art-net

Control System

Pan/Tilt rotation 540°/220°(8-16bit)
 Dimmer 0-100%16Bit
 Cooling Forced Convection
 Control DMX512, RDM, Art Net, SACN, Web server, W-DMX (optional)

Display On board Control, Custom Mode, 0-25Hz Strobe
 Con Personality HSIC(13CHS), PERSON1(18CHS), PERSON2(27CHS), CMY(17CHS), PIXEL(21CHS)
 Special Pan/Tilt movement blackout, User-selectable pan/tilt ranges

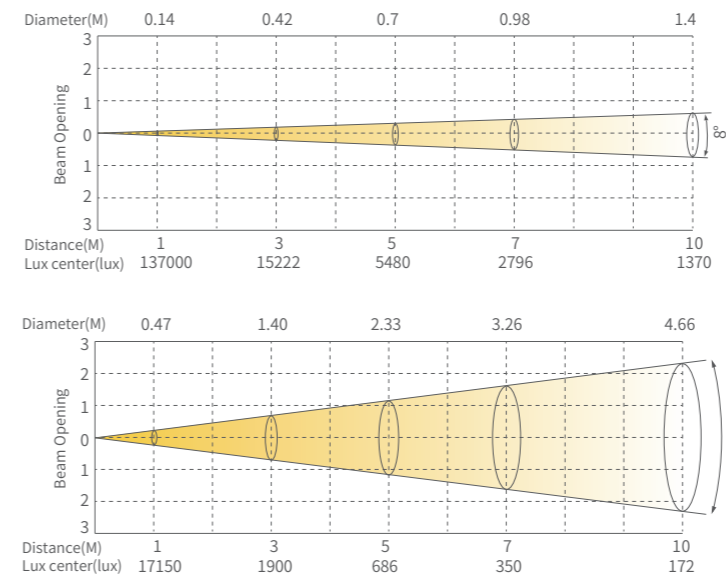
Certification

CE, MET

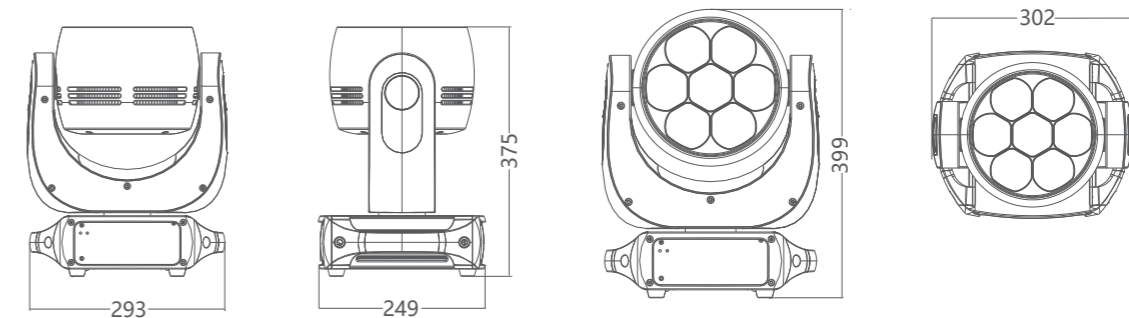
Work Environment

Ambient Temp 0-45°C
 IP Rated IP20

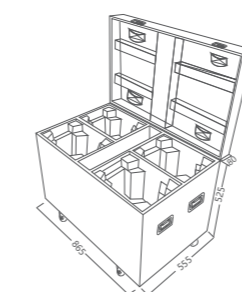
ILLUMINANCE AT DISTANCE



DIMENSIONS



ACCESSORIES (Accessories not included unless otherwise stated)



Wireless receiver Kit
 (2440010455)

Flight Case
 (1320400153)

PLUTO

MOVING WASH