

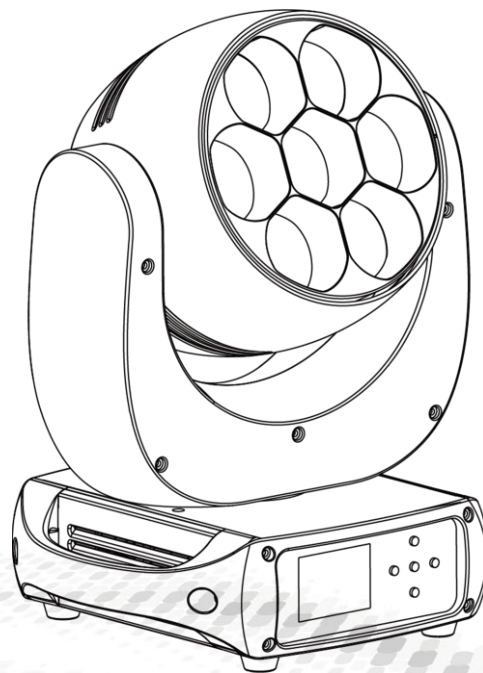
图纸编码	RD-SS9361-SM-01(SS-I)			版本号	A
SS9361XHE 英文说明书(CCS3.0)				编辑日期	2021/1/20
制作	刘丽萍	审核	白丹	批准	余泽松
物料编码	1320109371				
备注	以 A4 样本打印				F



创意源于追求
Own Idea Of Lighting

PLUTO 2000 HEX

USER MANUAL



MODEL: SS9361XHE



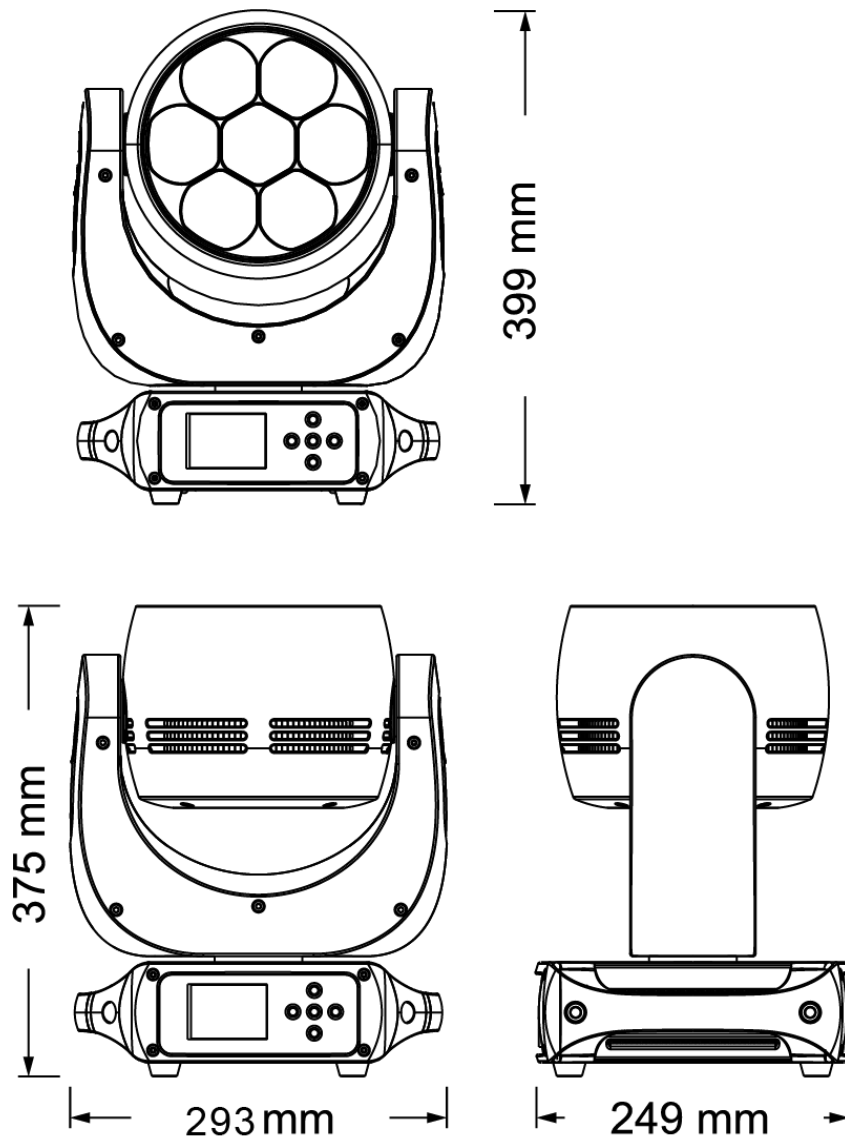
广州市雅江光电设备有限公司
Guangzhou Yajiang Photoelectric Equipment Co., Ltd.
电话/Tel:020-86947788 邮箱/E-mail:sales@yajiang.cn
传真/Fax:020-86943773 网址/Website:www.yajiang.cn

Since 1985

1 PRODUCT

1.1 TECHNICAL SPECIFICATIONS

Type	SS9361XHE
LED colors	7PCS 60W RGBALC LED
Angle	Beam Angle: 8° - 36° , Field Angle:13° - 45°
Power	328W
Control Protocol	DMX512, RDM, Artnet, W-DMX (Optional)
Voltage Range	AC100~240V,50/60Hz
Input Current	110V/3A,220V/1.5A
Protection	IP20
Operation Temperature	0°C~45°C
Dimensions	293X249X375mm
Weight	9.3kg



1.2 Safety Notes

IMPORTANT

- This product must be installed by a qualified professional.
- In order to maintain this condition and to ensure a safe operation, it is absolutely necessary for the user to follow the safety instructions and warning notes
- The manufacturer will not accept liability for any resulting damages caused by the non-observance of this manual or any unauthorized modification to the device.

CAUTION!

- Make sure that the available voltage is not higher than stated on the rear panel.
- Do not touch the power cables if your hands are wet.
- The earth wire must always be connected to the ground. Therefore it is essential to connect the yellow/green conductor to earth.
- Make sure that the power-cord is never crimped or damaged by sharp edges. Check the device and the power-cord from time to time. The electric connection, repairs and servicing must be carried out by a qualified employee.
- Always disconnect power input cable to completely remove power from unit when not in use or before cleaning or servicing the fixture.
- Do not switch the fixture on and off in short intervals as this would reduce the lamp's life.
- Do not touch the device's housing bare hands during its operation (housing becomes hot)! The surface of the product's casing can reach up to 70° C (158° F) during operation. Avoid contact by persons and materials. Do not install the product in a location where there is a risk of accidental contact. Allow the product to cool for at least 10 minutes before handling.
- For replacement use lamps and fuses of same type and rating only.
- Please protect the fixture and avoid destroy during transport and installation. If there is any damage to the coating, the shell may be corroded.
- When hanging lamps and lanterns, it is necessary to verify that facilities and hooks can bear at least 10 times the weight of lamps and lanterns.
- Fix the safety rope at the correct holes only. Only operate the fixture after having checked that the housing is firmly closed and all screws are tightly fastened.
- The maximum ambient temperature 45°C must never be exceeded. Do not operate the product if the ambient temperature (Ta) exceeds 45° C (115° F).
- During the initial start-up some smoke or smell may arise. This is a normal process and does not necessarily mean that the device is defective.

Electrical Warning

- The light source contained in this luminaire shall only be replaced by the manufacturer or his service agent or a similar qualified person
- For replacement use lamps and fuses of same type and rating only.
- The lens has to be replaced when it is obviously damaged, so that its function is impaired, e. g. due to cracks or deep scratches!

Keep the product well away from flammable materials

- Keep all combustible materials (e.g. fabric, wood, paper) at least 500 mm (20 in.) away from the product.
- Ensure that there is free and unobstructed airflow around the product. Provide a minimum clearance of 150 mm (6 in.) around fans and air vents.
- Do not illuminate surfaces within 3 m (10 ft.) of the product.
- Do not install a fuse that has a higher rating than the one originally installed in the product. Do not bypass fuses.
- Do not stick filters, masks or other materials onto optical components.
- If the fixture seems to be abnormally hot, shows signs of melting or emits smoke, disconnect the fixture from power immediately and allow it to cool. Do not touch the fixture without heatproof safety gloves. Keep the fixture well away from combustible and flammable materials.

**NEVER LOOK DIRECTLY INTO THE LIGHT SOURCE!
RETINA INJURY RISK - MAY INDUCE BLINDNESS!**

Do not point the front of the fixture towards the sun or other strong light sources. The front lens focuses and concentrates light just like a magnifying glass. Strong light can cause internal damage to the fixture, melting components or starting an internal fire within seconds.

To avoid problems from strong light sources:

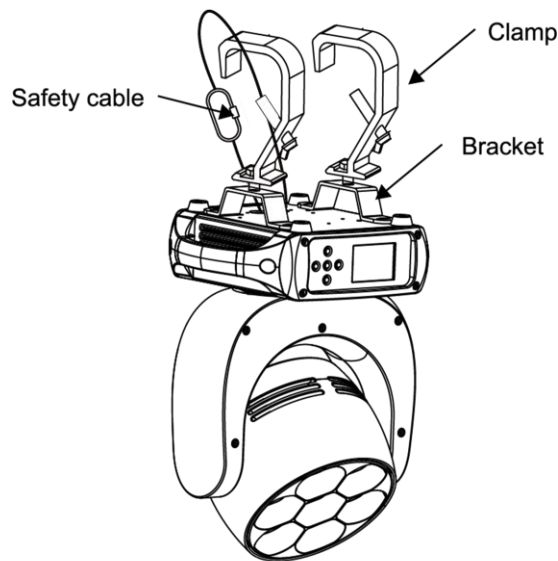
- Do not expose the front of a fixture to sunlight or any other strong light source. Avoid pointing other high-powered beam lights directly at the fixture.
- Do not focus a light beam from one lighting fixture directly towards another.
- For outdoor applications during daylight, make sure that the front face of any fixture is shielded or points away from the sun, even when not in use.
- Do not expose the product to heat (from other lighting fixtures for example).

2 INSTALLATION

2.1 MOUNTING

Truss installation

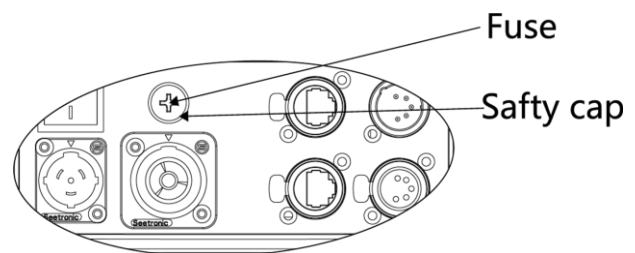
- ◆ Keep all combustible materials (e.g. fabric, wood, paper) at least 500 mm (20 in.) away from the product.
- ◆ For overhead use, always install a safety cable that can hold at least 10 times the weight of the fixture.
- ◆ For overhead installation, the fixture must be always secured with a safety wire that can bear at least 10 times the weight of the fixture;
- ◆ Secure the fixture with a safety cable through the rear safety eye and truss as shown..
- ◆ Ensure that the structure (truss) to which you are attaching the fixture is secure



HANGING

2.2 Fuse replacement

- ◆ Remove the safety cap by a screwdriver.
- ◆ Fetch the old fuse from safety cap.
- ◆ Install a new fuse.
- ◆ Install the safety cap.



2.3 POWER CONNECTIONS

- ◆ POWER Linking: 3 units@110V; 6 units@220V.
- ◆ This product has an auto-ranging power supply that can work with an input voltage range of 100–240 VAC, 50/60 Hz.

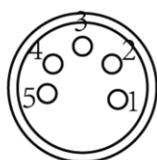
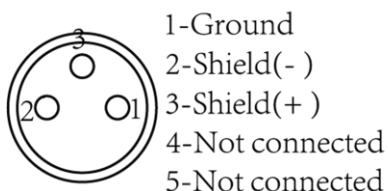
AC Plug

Connection	Wire (U.S.)	Wire(Europe)	Screw Color
AC Live	Black	Brown	Yellow/Brass
AC Neutral	White	Blue	Silver
AC Ground	Green/Yellow	Green/Yellow	Green

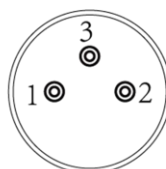
2.4 Data network requirements

- ◆ Connect the DMX512 controller to the units in series. A DMX 512 data link is required in order to control the fixture via DMX. The fixture has 3/5-pin XLR connectors for DMX data input and output.
- ◆ Each unit has 13 DMX channels so the DMX Addresses should increase by increments of 1, (Nx1)+1, (Nx2)+1, (Nx3)+1...
- ◆ Any DMX address in the range from 001 to 512 may be used.
- ◆ Connect the DMX-output of the first fixture in the DMX chain with the DMX-input of the next fixture. Always connect one output with the input of the next fixture until all fixtures are connected.
- ◆ Caution: At the last fixture, the DMX-cable has to be terminated with a terminator. Solder a 120 Ω resistor between Signal (-) and Signal (+) into a 3/5-pin XLR-plug and plug it in the DMX-output of the last fixture.

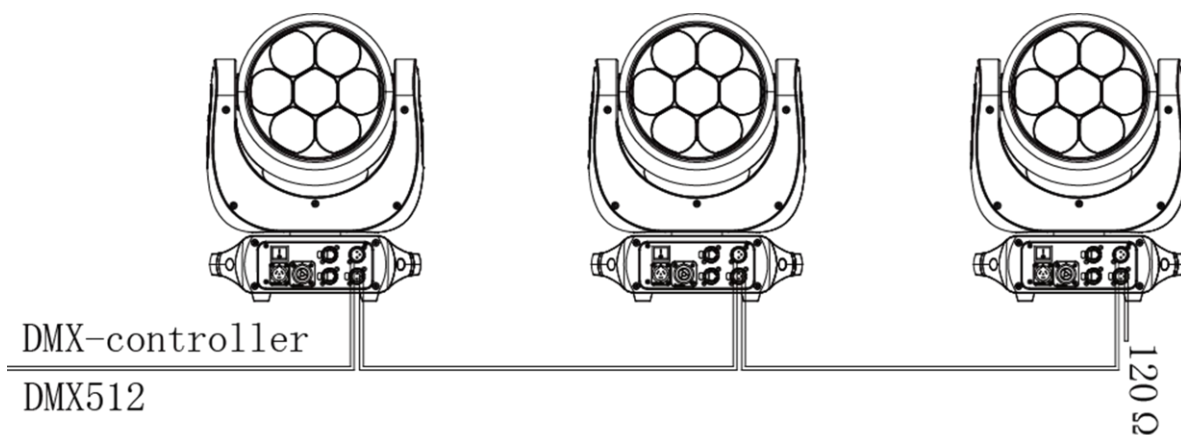
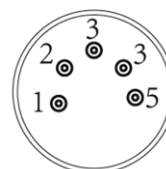
DMX-output
XLR mounting-sockets



DMX-input
XLR mounting-plugs



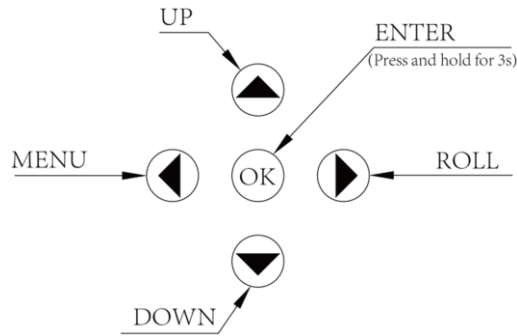
1-Ground
2-Shield(-)
3-Shield(+)
4-Not connected
5-Not connected



3 FUNCTIONS AND SETTINGS

3.1 DISPLAY OPERATION

- ◆ MENU: Used to access the menu or to return a previous menu option;
- ◆ ENTER: Used to select and store the current menu or confirm the current function value or option within a menu;
- ◆ UP: Navigates downwards through the menu list and increases the numeric value when in a function;
- ◆ DOWN: Navigates upwards through the menu list and decreases the numeric value when in a function;



3.2 Menu Map

ADDRESS	001 – 512(Default 001)		DMX address setting
PERSON	HSIC		Use the menu to select desired channel mode
	PERSON1		
	PERSON2 (Default)		
	PIXEL		
	CMY		
RUNMODE	DMX512 (Default)		Select Signal
	ARTNET		Default: DMX512
	ARTNET TO DMX		CUSTOM1-2 Set up get into EDIT MENU
	sACN		edit
	AUTO		
	CUSTOM1		
	CUSTOM2		
OPTION	PAN INVERT	OFF (Default)	PAN moving direction selection
		ON	
	TILT INVERT	OFF (Default)	TILT moving direction selection
		ON	
	PERFORM	STUDIO	Fan mode low speed
		POWER	Fast rotation of fan, all power
		LIVE (Default)	Automatic rotation of fan
	BLACKOUT	OFF (Default)	Select OFF blackout without delay
		ON	Select ON Blackout delay 3s
	DIMMER	DIM4 (Default)	Dimming curves OFF (fast) to DIM4 (slow);
		OFF	

LED PWM	1200Hz (Default)		Sets the PWM frequency		
	2400Hz				
	4000Hz				
	6000Hz				
	25000Hz				
DMX ERROR	SAVE (Default)		Hold after loss of DMX signal		
	BLACK		Blackout after loss of DMX signal		
DISPLAY TIME	On		Display backlight always on		
	30s (Default)		Turns off display backlight after 30s/1min /2min of inactivity		
	1min				
	2min				
DISPLAY LOCK	OFF		Locks display (passcode is <UP>, <DOWN>,<UP>, <DOWN>, <ENTER>)		
	ON (Default)				
LOAD PARA	NO		Not upload data		
	YES		Upload data		
SETTING	RECOVERY	****	Restore default factory settings.		
	CLEAN EDIT1	****	Clean customer self-editing scene 1		
	CLEAN EDIT2	****	Clean customer self-editing scene 2		
	WDMX HIDE	NO	Hide wireless mode WDMX reset and signal hide and the default is wired mode only		
YES					
NETWORK	Net SWITCH	2.XXX.XXX.XXX	Net switch 2.XXX.XXX.XXX		
		10.XXX.XXX.XXX	Net switch 10.XXX.XXX.XXX		
	UNIVERS	0-255	Packet group Settings		
	IP MODE	DEFAUL IP	Default IP		
		CUSTOM IP	Customer's IP		
CUSTOM IP	XX.XX.XX.XX	Customer's IP setting			
PT ENCODER	OFF		XY Encoder switch. OFF is close; ON is open.		
	ON				
WDMX RESET	NO		Do not clear the receiver's message.		
	YES		Clear the receiver's message		
SIGNAL	ONLY XLRDMX		ONLY XLR is wire only		
	XLRDMX FIRST		XLR FIRST is wire first		
	ONLY WDMX		ONLY WDMX is wireless only		
	WDMX FIRST		WDMX FIRS is wireless first		
	WDMX TO XLRDMX		WDMX TO DMX is wireless to wired		
EDIT	EDIT 1-2	STEP 1-30	PAN	0-255	Edit the custom programs 1-30 Select play 【EDIT 1】 in RUNMOEDE CUSTOM 1; Select play 【EDIT 2】 in RUNMOEDE CUSTOM 2
			TITL	0-255	
			RED	0-255	
			GREEN	0-255	
			BLUE	0-255	

			AMBER	0-255	
			LIME	0-255	
			CYAN	0-255	
			DIMMER	0-255	
			STROBE	0-255	
			ZOOM	0-255	
			TIME	0-255	
			USE	YES/NO	Select YES to run the steps user need.
MANUAL	Auto Test				Auto Test channel
	CHANNEL	PAN	0-255		Manual control channel
		TITL	0-255		
		RED	0-255		
		GREEN	0-255		
		BLUE	0-255		
		AMBER	0-255		
		LIME	0-255		
		CYAN	0-255		
		DIMMER	0-255		
		STROBE	0-255		
	ZOOM	0-255			
	DEBUG HIDE	NO			Factory testing mode. All stepper motors are not controlled by signal, It only works again after the reset.
		YES			
RESET	ALL RESET			Select Yes/No to carry out all reset	
	PT RESET			Select Yes/No to carry out P/T reset	
	OTHER			Zoom/ Focus/ Prism reset	
SERVICE	****	PAN	±127		Pan position fine adjustment
		TILT	±127		Tilt position fine adjustment
INFO	FIXTURE HOURS				Hours of fixture use
	LED USE HOURS				LED use time
	TEMPERATURE				LED temperature
	VERSION				Software versions
	NETWORK				Check network parameter
	RDM	UID	0x388Axxxxxxxx		Check fixture's ID
		LABEL			Check fixture's LABEL
	SYSTEM ERROR	MEMORY IC			Memory IC
		ANGLESENSOR			Angle Sensor
		PAN SENSOR			Pan Sensor
		PAN ENCODER			Pan Encoder
PAN DRIVEIC			Pan Drive IC		
	TILT SENSOR			Tilt Sensor	

		TILT ENCODER	Tilt Encoder
		TILT DRIVEIC	Tilt Drive IC
		TEMPERATURE	Temperature
CCT	1800K		Preset color temperatures
	2200K		
	2700K		
	3000K		
	3200K		
	4000K		
	4500K		
	5000K		
	5600K		
	6000K		
	6500K		
	7000K		
	8000K		
	10000K		
PRESET COLOR	COLOR 1		Preset color (See Annex I for details)
	COLOR 2		
		
	COLOR 48		

All passwords of this product are <UP>, <DOWN>,<UP>, <DOWN>, <ENTER>)

4 USING A DMX512 CONTROLLER

4.1 DMX CONTROL

HSIC (13CH)	Value	Function
CH.1	0-255	PAN
CH.2	0-255	PAN FINE
CH.3	0-255	TITL
CH.4	0-255	TITL FINE
CH.5	0-255	PT SPEED
CH.6	0-255	INTENSIYT
CH.7	0-255	HUE
CH.8	0-255	HUE FINE
CH.9	0-255	SATURATION
CH.10	CCT	
	0-9	NO FUNCTION
	10	1800K
	25	2200K
	40	2700K
	55	3000K
	70	3200K
	85	4000K
	100	4500K
	115	5000K
	130	5600K
	145	6000K
	160	6500K
	175	7000K
	190	8000K
205	10000K	
255	10000K	
CH.11	STROBE	
	0-9	NO FUNCTION
	10-99	STROBE FROM (SLOD TO FAST , 0-25Hz)
	100-109	NO FUNCTION
	110-179	LIGHTNING STROBE
	180-189	NO FUNCTION
190-255	RANDOM SROBE	
CH.12	0-255	ZOOM
CH.13	CONTROL (EXECUTE AFTER 3 SECONDS)	
	000-010	NO FUNCTION
	011-020	PAN/TILT BLACK ACTIVATED
	021-030	PAN/TILT BLACK DEACTIVATED
	031-060	RESERVED
	061-070	LIVE
	071-080	STUDIO
081-090	POWER	

	091-100	RESERVED
	101-110	DIMMER OFF
	111-120	DIMMER DIM4
	121-150	RESERVED
	151-160	1200Hz
	161-170	2400Hz
	171-180	4000Hz
	181-190	6000Hz
	191-200	25000Hz
	201-210	ALL RESET
	211-220	ZOOM RESET
	221-255	RESERVED

PERSON1 (18CH)	PERSON2 (27CH)	Value	Function
CH.1	CH.1	0-255	PAN
--	CH.2	0-255	PAN FINE
CH.2	CH.3	0-255	TITL
--	CH.4	0-255	TITL FINE
--	CH.5	0-255	PT SPEED
CH.3	CH.6	0-255	RED
--	CH.7	0-255	RED FINE
CH.4	CH.8	0-255	GREEN
--	CH.9	0-255	GREEN FINE
CH.5	CH.10	0-255	BLUE
--	CH.11	0-255	BLUE FINE
CH.7	CH.12	0-255	AMBER
--	CH.13	0-255	AMBER FINE
CH.8	CH.14	0-255	LIME
	CH.15	0-255	LIME FINE
CH.9	CH.16	0-255	CYAN
	CH.17	0-255	CYAN FINE
CH.10	CH.18	0-255	DIMMER
	CH.19	0-255	DIMMER FINE
CH.11	CH.20	PRESET COLOR	
		0-10	NO FUNCTION
		11-255	PRESET COLOR (See Annex I for details)
CH.12	CH.21	CCT	
		0-9	NO FUNCTION
		10	1800K
		25	2200K
		40	2700K
		55	3000K
		70	3200K
		85	4000K
	100	4500K	

		115	5000K
		130	5600K
		145	6000K
		160	6500K
		175	7000K
		190	8000K
		205	10000K
		255	10000K
CH.13	CH.22	Static LED	
		0-11	NO FUNCTION
		12-29	RED centra
		30-47	GREEN centra
		48-65	BLUE centra
		66-83	AMBER centra
		84-101	LIME centra
		102-119	CYAN centra
		120-137	RED ring
		138-155	GREEN ring
		156-173	BLUE ring
		174-191	AMBER ring
		192-209	LIME ring
		210-227	CYAN ring
		228-245	centra RGBALC
246-255	ring RGBALC		
CH.14	CH.23	Color macro	
		0-10	NO FUNCTION
		11-17	RED 100% / GREEN UP / BLUE 0%
		18-24	RED DOWN / GREEN 100% / BLUE 0%
		25-31	RED 0% / GREEN 100% / BLUE UP
		32-38	RED 0% / GREEN DOWN / BLUE 100%
		39-45	RED UP / GREEN 0% / BLUE 100%
		46-52	RED 100% / GREEN 0% / BLUE DOWN
		53-59	RED 100% / GREEN UP / BLUE UP
		60-66	RED DOWN / GREEN DOWN / BLUE 100%
		67-79	ALL LED AT FULL OUTPUT
		80-88	Centra RGBALC FULL OUTPUT → RING R-G-B-A-L-C-R circulation
		89-97	Centra R FULL OUTPUT → RING G-B-A-L-C-G circulation
		98-106	Centra G FULL OUTPUT → RING R-B-A-L-C-R circulation
		107-105	Centra B FULL OUTPUT → RING R-G-A-L-C-R circulation
		116-124	Centra A FULL OUTPUT → RING R-G-B-L-C-R circulation
		125-133	Centra L FULL OUTPUT → RING R-G-B-A-C-R circulation
		134-142	Centra C FULL OUTPUT → RING R-G-B-A-L-R circulation
		143-151	Centra R-G-B-A-L-C-R circulation → RING RGBALC FULL OUTPUT
		152-160	Centra G-B-A-L-C-G circulation → RING R FULL OUTPUT
161-169	Centra R-B-A-L-C-R circulation → RING G FULL OUTPUT		
170-178	Centra R-G-A-L-C-R circulation → RING B FULL OUTPUT		

		179-187	Centra R-G-B-L-C-R circulation—> RING A FULL OUTPUT
		188-196	Centra R-G-B-A-C-R circulation—> RING L FULL OUTPUT
		197-205	Centra R-G-B-A-L-R circulation—> RING C FULL OUTPUT
		206-214	Centra R-G-B-R circulation—> RING B-R-G-B circulation
		215-223	Centra R-G-B-A-R circulation—> RING B-R-A-G-B circulation
		224-232	Centra R-G-B-A-L-R circulation—> RING L-R-A-G-B-L circulation
		233-241	Centra R-G-B-A-L-C-R circulation—> RING C-R-A-G-B-L-C circulation
		242-255	ALL LED AT FULL OUTPUT
CH.15	CH.24	0-255	AUTO SPEED (Slow to Fast)
CH.16	CH.25	STROBE	
		0-9	NO FUNCTION
		10-99	STROBE FROM (SLOD TO FAST , 0-25Hz)
		100-109	NO FUNCTION
		110-179	LIGHTNING STROBE
		180-189	NO FUNCTION
		190-255	RANDOM SROBE
CH.17	CH.26	0-255	ZOOM
CH.18	CH.27	CONTROL (EXECUTE AFTER 3 SECONDS)	
		000-010	NO FUNCTION
		011-020	PAN/TILT BLACK ACTIVATED
		021-030	PAN/TILT BLACK DEACTIVATED
		031-060	RESERVED
		061-070	LIVE
		071-080	STUDIO
		081-090	POWER
		091-100	RESERVED
		101-110	DIMMER OFF
		111-120	DIMMER DIM4
		121-150	RESERVED
		151-160	1200Hz
		161-170	2400Hz
		171-180	4000Hz
		181-190	6000Hz
		191-200	25000Hz
201-210	ALL RESET		
211-220	ZOOM RESET		
221-255	RESERVED		

CMY (17CH)	Value	Function
CH.1	0-255	PAN
CH.2	0-255	PAN FINE
CH.3	0-255	TITL
CH.4	0-255	TITL FINE
CH.5	0-255	PT SPEED

CH.6	0-255	CYAN
CH.7	0-255	MAGENT
CH.8	0-255	YELLOW
CH.9	0-255	DIMMER
CH.10	PRESET COLOR	
	0-10	NO FUNCTION
	11-255	PRESET COLOR (See Annex I for details)
CH.11	CCT	
	0-9	NO FUNCTION
	10	1800K
	25	2200K
	40	2700K
	55	3000K
	70	3200K
	85	4000K
	100	4500K
	115	5000K
	130	5600K
	145	6000K
	160	6500K
	175	7000K
	190	8000K
	205	10000K
255	10000K	
CH.12	Static LED	
	0-11	NO FUNCTION
	12-29	RED centra
	30-47	GREEN centra
	48-65	BLUE centra
	66-83	AMBER centra
	84-101	LIME centra
	102-119	CYAN centra
	120-137	RED ring
	138-155	GREEN ring
	156-173	BLUE ring
	174-191	AMBER ring
	192-209	LIME ring
	210-227	CYAN ring
	228-245	centra RGBALC
246-255	ring RGBALC	

CH.13	Color macro	
	0-10	NO FUNCTION
	11-17	RED 100% / GREEN UP / BLUE 0%
	18-24	RED DOWN / GREEN 100% / BLUE 0%
	25-31	RED 0% / GREEN 100% / BLUE UP
	32-38	RED 0% / GREEN DOWN / BLUE 100%
	39-45	RED UP / GREEN 0% / BLUE 100%
	46-52	RED 100% / GREEN 0% / BLUE DOWN
	53-59	RED 100% / GREEN UP / BLUE UP
	60-66	RED DOWN / GREEN DOWN / BLUE 100%
	67-79	ALL LED AT FULL OUTPUT
	80-88	Centra RGBALC FULL OUTPUT → RING R-G-B-A-L-C-R circulation
	89-97	Centra R FULL OUTPUT → RING G-B-A-L-C-G circulation
	98-106	Centra G FULL OUTPUT → RING R-B-A-L-C-R circulation
	107-105	Centra B FULL OUTPUT → RING R-G-A-L-C-R circulation
	116-124	Centra A FULL OUTPUT → RING R-G-B-L-C-R circulation
	125-133	Centra L FULL OUTPUT → RING R-G-B-A-C-R circulation
	134-142	Centra C FULL OUTPUT → RING R-G-B-A-L-R circulation
	143-151	Centra R-G-B-A-L-C-R circulation → RING RGBALC FULL OUTPUT
	152-160	Centra G-B-A-L-C-G circulation → RING R FULL OUTPUT
	161-169	Centra R-B-A-L-C-R circulation → RING G FULL OUTPUT
	170-178	Centra R-G-A-L-C-R circulation → RING B FULL OUTPUT
	179-187	Centra R-G-B-L-C-R circulation → RING A FULL OUTPUT
	188-196	Centra R-G-B-A-C-R circulation → RING L FULL OUTPUT
197-205	Centra R-G-B-A-L-R circulation → RING C FULL OUTPUT	
206-214	Centra R-G-B-R circulation → RING B-R-G-B circulation	
215-223	Centra R-G-B-A-R circulation → RING B-R-A-G-B circulation	
224-232	Centra R-G-B-A-L-R circulation → RING L-R-A-G-B-L circulation	
233-241	Centra R-G-B-A-L-C-R circulation → RING C-R-A-G-B-L-C circulation	
242-255	ALL LED AT FULL OUTPUT	
CH.14	0-255	AUTO SPEED (Slow to Fast)
CH.15	STROBE	
	0-9	NO FUNCTION
	10-99	STROBE FROM (SLOD TO FAST , 0-25Hz)
	100-109	NO FUNCTION
	110-179	LIGHTNING STROBE
	180-189	NO FUNCTION
	190-255	RANDOM SROBE
CH.16	0-255	ZOOM
CH.17	CONTROL (EXECUTE AFTER 3 SECONDS)	

	000-010	NO FUNCTION
	011-020	PAN/TILT BLACK ACTIVATED
	021-030	PAN/TILT BLACK DEACTIVATED
	031-060	RESERVED
	061-070	LIVE
	071-080	STUDIO
	081-090	POWER
	091-100	RESERVED
	101-110	DIMMER OFF
	111-120	DIMMER DIM4
	121-150	RESERVED
	151-160	1200Hz
	161-170	2400Hz
	171-180	4000Hz
	181-190	6000Hz
	191-200	25000Hz
	201-210	ALL RESET
	211-220	ZOOM RESET
	221-255	RESERVED

PIXEL (21CH)	Value	Function
CH.1	0-255	PAN
CH.2	0-255	PAN FINE
CH.3	0-255	TILT
CH.4	0-255	TILT FINE
CH.5	0-255	PT SPEED
CH.6	0-255	DIMMER
CH.7	STROBE	
	0-9	NO FUNCTION
	10-59	STROBE FROM SLOD TO FAST (0-25Hz)
	60-109	NO FUNCTION
	110-159	THUNDER STROBE FROM SLOD TO FAST
	160-209	NO FUNCTION
	210-255	RANDOM SROBE
CH.8	0-255	ZOOM
CH.9	CONTROL (EXECUTE AFTER 3 SECONDS)	
	000-010	NO FUNCTION
	011-020	PAN/TILT BLACK ACTIVATED
	021-030	PAN/TILT BLACK DEACTIVATED
	031-060	RESERVED
	061-070	LIVE
	071-080	STUDIO
	081-090	POWER

	091-100	RESERVED
	101-110	DIMMER OFF
	111-120	DIMMER DIM4
	121-150	RESERVED
	151-160	1200Hz
	161-170	2400Hz
	171-180	4000Hz
	181-190	6000Hz
	191-200	25000Hz
	201-210	ALL RESET
	211-220	ZOOM RESET
	221-255	RESERVED
CH.10	0-255	RED centra
CH.11	0-255	GREEN centra
CH.12	0-255	BLUE centra
CH.13	0-255	AMBER centra
CH.14	0-255	LIME centra
CH.15	0-255	CYAN centra
CH.16	0-255	RED ring
CH.17	0-255	GREEN ring
CH.18	0-255	BLUE ring
CH.19	0-255	AMBER ring
CH.20	0-255	LIME ring
CH.21	0-255	CYAN ring

Annex 1

PRESET COLOR	Value	Color Names		x	y
	0-10	NO FUNCTION			
COLOR 1	11-15	L176	Loving Amber	0.407	0.321
COLOR 2	16-20	R40	Light Salmon	0.499	0.321
COLOR 3	21-25	L24	Scarlet	0.561	0.296
COLOR 4	26-30	L164	Flame Red	0.659	0.302
COLOR 5	31-35	L747	Easy White	0.389	0.344
COLOR 6	36-40	R303	Warm Peach	0.448	0.353
COLOR 7	41-45	L08	Dark Salmon	0.498	0.347
COLOR 8	46-50	L25	Sunset Red	0.566	0.359
COLOR 9	51-55	L04	Medium Bastard Amber	0.37	0.335
COLOR 10	56-60	L237	CID(To Tungsten)	0.43	0.365
COLOR 11	61-65	R321	Soft Golden Amber	0.477	0.406
COLOR 12	66-70	L652	Urban Sodium	0.535	0.399
COLOR 13	71-75	L212	LCT Yellow(Y1)	0.34	0.363
COLOR 14	76-80	L765	LEE Yellow	0.389	0.412
COLOR 15	81-85	L513	Ice And A Slice	0.38	0.447
COLOR 16	86-90	L100	Spring Yellow	0.41	0.502
COLOR 17	91-95	L244	LEE Plus Green	0.324	0.388
COLOR 18	96-100	R4430	CalColor 30 Green	0.318	0.44
COLOR 19	101-105	L122	Fern Green	0.234	0.543
COLOR 20	106-110	L90	Dark Yellow Green	0.184	0.641
COLOR 21	111-115	L243	LEE Fluorescent3600K	0.286	0.37
COLOR 22	116-120	R92	Tuiquoise	0.235	0.36
COLOR 23	121-125	R94	Kelly Green	0.185	0.459
COLOR 24	126-130	L327	Forest Green	0.162	0.496
COLOR 25	131-135	L191	Cosmetic Aqua Blue	0.3	0.318
COLOR 26	136-140	L728	Steel Green	0.256	0.302
COLOR 27	141-145	L117	Steel Blue	0.223	0.278
COLOR 28	146-150	L354	Special Steel Blue	0.173	0.265
COLOR 29	151-155	L53	Paler Lavender	0.284	0.284
COLOR 30	156-160	L501	New Colour Blue	0.246	0.249
COLOR 31	161-165	L174	Dark Steel Blue	0.204	0.205
COLOR 32	166-170	L165	Daylight Blue	0.159	0.158
COLOR 33	171-175	L136	Pale Lavender	0.288	0.254
COLOR 34	176-180	L194	Surprise Pink	0.24	0.183
COLOR 35	181-185	L142	Pale Violet	0.209	0.148
COLOR 36	186-190	L700	Perfect Lavender	0.177	0.07
COLOR 37	191-195	L35	Light Pink	0.335	0.289
COLOR 38	196-200	L794	Pretty'n Pink	0.335	0.251
COLOR 39	201-205	L328	Follies Pink	0.335	0.18
COLOR 40	206-210	L795	Magical Magenta	0.327	0.138
COLOR 41	211-215	L154	Pale Rose	0.35	0.318
COLOR 42	216-220	L127	Smokey Pink	0.397	0.265
COLOR 43	221-225	L192	Flesh Pink	0.41	0.237
COLOR 44	226-230	L332	Special Rose Pink	0.465	0.193
COLOR 45	231-235	L790	Moroccan Pink	0.378	0.324
COLOR 46	236-240	L157	Pink	0.457	0.272
COLOR 47	241-245	R332	Cherry Rose	0.489	0.295
COLOR 48	246-250	L128	Cool LED Bright Pink	0.57	0.263
	251-255	NO FUNCTION			