

FREZNO 250 TW/TC

SS826TW/TC



PRODUCT INTRODUCTION

FREZNO 250 TW/TC is Tunable white Fresnel, Pure color temperature, built-in 0-100% dimmer, Beam angle 10°-60° (Manual control), Field angle 18°-88°, simple and quick adjustment for choosing beam Angle base to different distances and locations, manual CCT bottom on body, FREZNO 250 TW with Tunable CCT 2700k -4500k, FREZNO 250 TC with Tunable CCT 4000k -6500k, this model is designed for theater, television, cultural centers, studio, multi-function meeting rooms and other small and medium applications.

PRODUCT PARAMETERS

Optical system

Light source	LED 250W
CCT	TW-3200K (2700k-4500K range) TC-5600K (4000k-6500K range)
CRI	Ra≥95
CQS	>90
Beam angle	10°-55° (Manual control)
Field angle	18°-88°

Appearance

Size	375x254x393mm
Weight	8.8kg
Casing	Die-cast aluminum
Color	Black

Electrical Specs

Voltage	AC100-240V, 50/60Hz
Max. Power	250W
Power Connection	Power in and out
DMX XLR	3pin or 5pin in and out

Control System

Dimmer	0-100% 16Bit
Cooling	Forced convection
Control	DMX512, RDM
Display	On board Control , Custom Mode , 0-25Hz Strobe, Dimming knob

Con Personality UNO (1CHS) , DOS (2CHS) , VW.D (3CHS) , VW.F (6CHS) , STD.P (8CHS)

Certification

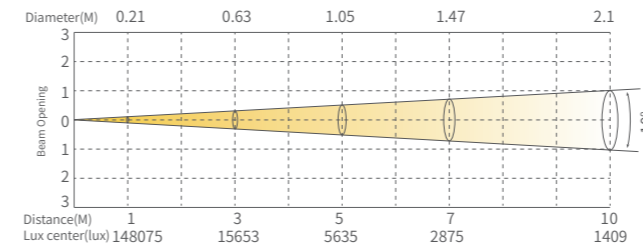
CE, MET

Work Environment

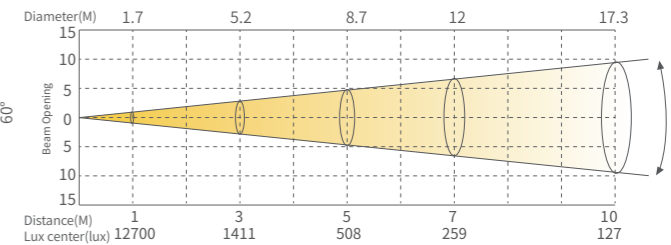
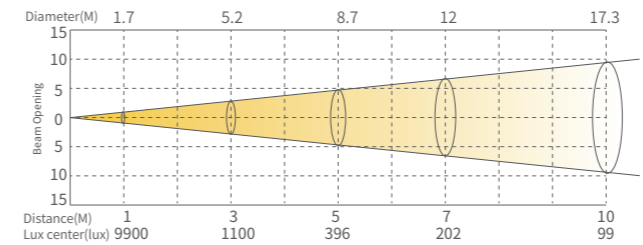
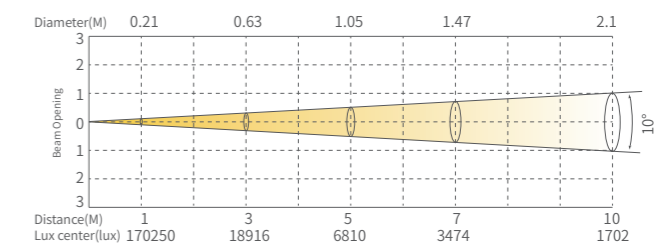
Ambient Temp	0°C-45°C
IP Rated	IP20

ILLUMINANCE AT DISTANCE

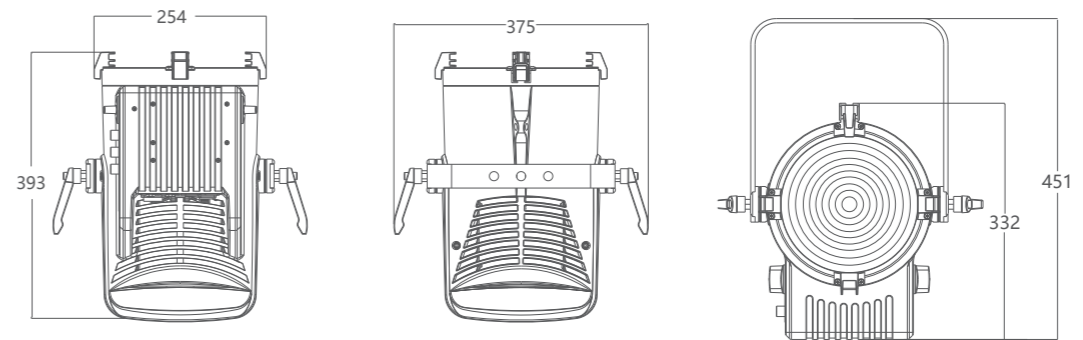
SS826TW



SS826TC



DIMENSIONS



ACCESSORIES (Accessories not included unless otherwise stated)

