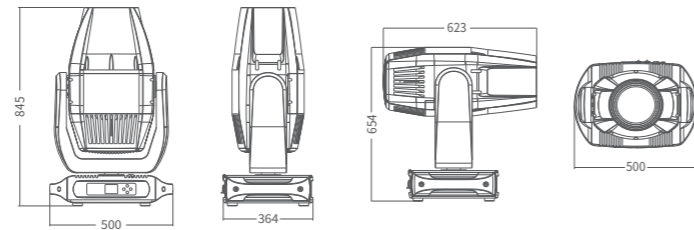




PRODUCT INTRODUCTION

Tornado 1500 PROFILE is a high power LED moving spot + profile, with the super efficient optic system, 1:7 times zoom 7-50°, the Max. output is 71000lx @ 5m; It is the comprehensive full function item, its accurate and efficient motor can provide smooth and precise Pan/tilt movement. It has framing-cutting system can cut out any polygon, and with zoom, focus, prism, color wheel, CMY, rotation gobo wheel, iris, frost can supply high-quality beam colors and gobos. It has equipped with animation wheel which can create dynamic water and dynamic fire effect. Tornado 1500 PROFILE is design for the outdoor permanent installation, theme park, big scale performance show, landmark building etc.

DIMENSIONAL DRAWING



Tornado 1500 PROFILE

AF1991SCT

TECHNICAL PARAMETER

Max. Power	1300W
Light source	1000W
Angle	7°-50°
Display	On board Control, Custom Mode,0-25Hz Strobe
Pan/Tilt rotation	540°/270°(8-16bit)
Con Personality	BASIC/29CHS、STANDARD/38CHS、Extend/43CHS
Rotating Gobo	7 Gobos+ White, Gobo-flow effect, Gobo shake, Bi-directional rotation
Special	Pan/Tilt movement blackout, User-selectable pan/tilt ranges, gravitation sensor for auto screen positioning
Static Gobo	8Gobos+White, Gobo-flow effect, Gobo shake
Colors	One color wheel(6 dichroic -filters+ White, Rainbow-flow effect)
CMYK	CMY wheel, Linear CTO function
Prism	One piece of 5 prisms with bi-directional rotation, Speed adjustable; One piece of 4 prisms with bi-directional rotation, Speed adjustable
Framing system	4 shutter blade; Each blade's angel and direction can be individual controlled, fully blackout; The whole Framing module is ±45°.
Animation Wheel	Bi-directional rotation,Speed adjustable
Iris	5-100% linearly adjustable with macro
Focus	Motorized linear focus
Frost	1 Frost filter
Dimensions (L*W*H)	500x364x845mm

COLOR CMY+CTO ANIMATION WHEEL



ROTATION GOBO FRAMING SYSTEM



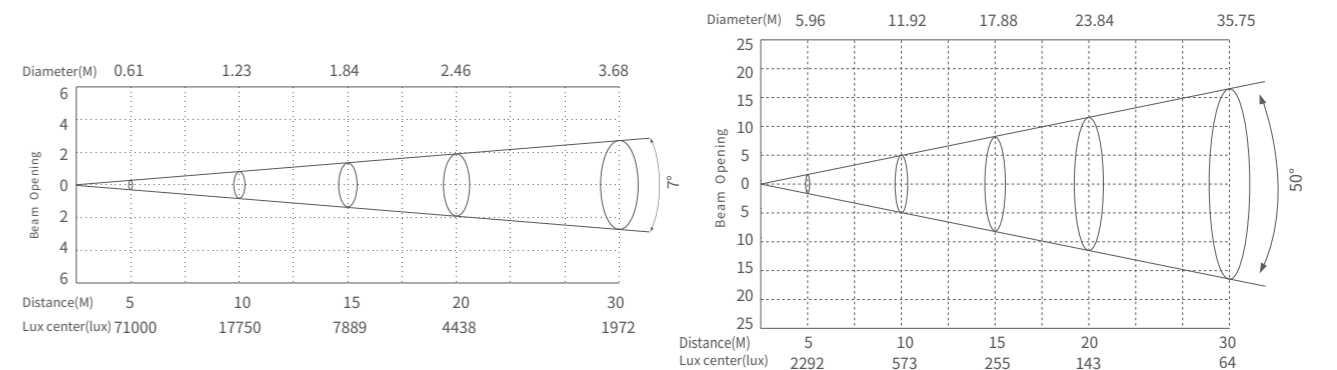
STATIC GOBO



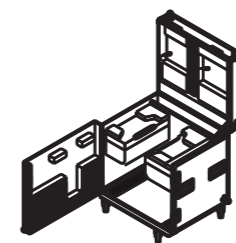
SPECIFICATIONS



ILLUMINANCE AT DISTANCE



OPTIONAL ACCESSORIES



Flight Case
(1320400206)



Wireless Kit
(2440010666)