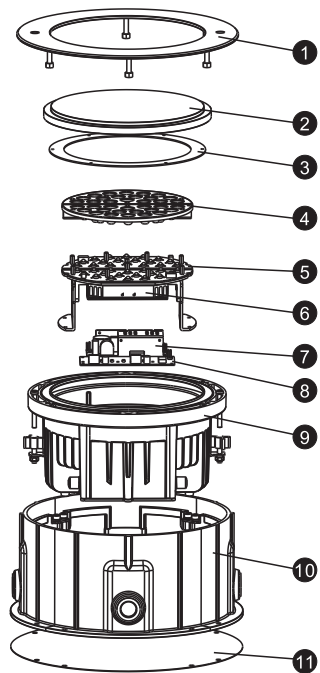


雅江光電 <small>YIJIANG APPLIED TECHNOLOGIES</small>				图纸编号	RD-AP786-SM-00(ARC-I)	版本号	A
AP786说明书				编制日期		2017.12.13	
制作	邓永杰	ARC		审核		批准	
文件名及路径	系统文件夹/部门资料库/技术部/曾宪忠/包装设计/新方案/说明书/arctik/AP786						
新物料编号	1320102045						
旧物料编号				成品编号	P30122		
通用产品							
备注							F

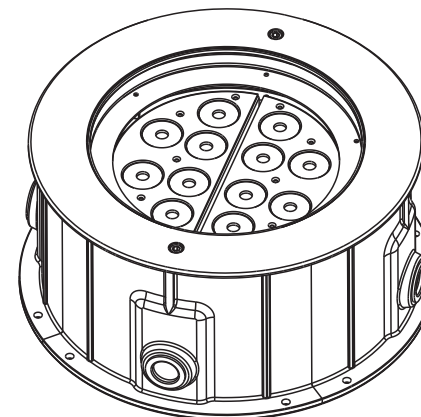
## 5.2 MAINTENANCE



No	ITEM
1	Stainless steel cover
2	15mm template glass
3	Diaphragm
4	LED Plate
5	LED PCB
6	Heat sink
7	Power switch
8	Control board
9	Inner housing
10	Outer casing
11	Dustproof board

arctik®

# TERRA



**AP786**

## USER MANUAL

**MODELS:**  
AP786SCT / AP786SAT / AP786SWT

[www.arctik-lighting.com](http://www.arctik-lighting.com)

RD-AP786-SM-00(ARC-I)

# 1 PRODUCT (GENERAL)

## 1.1 TECHNICAL SPECIFICATIONS

### **LED MODULE**

<i>LED MODULE:</i>	
<b>Voltage</b>	AC100~240V...50/60Hz
<b>Rated Power</b>	28W
<b>IP</b>	IP67 PROTECTION RATING
<b>Environment Temperature</b>	-20°C~40°C
<b>Dimensions</b>	Φ320 x146mm
<b>Weight</b>	8Kg

## 1.2 SAFETY WARNING

### **IMPORTANT**

**[ALWAYS READ THE USER MANUAL BEFORE OPERATION. ]**  
**[PLEASE CONFIRM THAT THE POWER SUPPLY STATED ON THE PRODUCT IS THE SAME AS THE MAINS POWER SUPPLY IN YOUR AREA.]**

- This product must be installed by a qualified professional.
- Always operate the equipment as described in the user manual.
- A minimum distance of 0.5m must be maintained between the equipment and combustible surface.
- The product must always be placed in a well ventilated area.
- Always make sure that the equipment is installed securely.
- DO NOT stand close to the equipment and stare directly into the LED light source.
- Always disconnect the power supply before attempting maintenance.
- Always make sure that the supporting structure is solid and can support the combined weight of the products.
- The earth wire must always be connected to the ground.
- Do not touch the power cables if your hands are wet.

### **ATTENTION**



- This product left the place of manufacture in perfect condition. In order to maintain this condition and for safe operation, the user must always follow the instructions and safety warnings described in this user manual.
- Avoid shaking or strong impacts to any part of the equipment.
- Make sure that all parts of the equipment are kept clean and free of dust.
- Always make sure that the power connections are connected correct and secure.
- If there is any malfunction of the equipment, contact your distributor immediately.
- When transferring the product, it is advisable to use the original packaging in which the product left the factory.
- Shields, lenses or ultraviolet screens shall be changed if they have become damaged to such an extent that their effectiveness is impaired.
- The lamp (LED) shall be changed if it has become damaged or thermally deformed.

# 5 APPENDIX

## 5.1 TROUBLE SHOOTING

### **LED MODULE**

<b>SITUATION</b>	<b>CAUSE</b>	<b>ACTION</b>
<b>Can not receive DMX signal</b>	1) DMX signal cable error 2) Signal connection error 3) The input signal IC damaged 4) DMX address error	1) Check all signal cables 2) Check all signal connections 3) Check the input signal IC 4) Check DMX address
<b>Color mixing uneven,with splash</b>	1) LED not joining well 2) Lens not installing well	1) Check LEDS joining 2) Check lens installing
<b>Partial color ( partial red,partial green or partial blue )</b>	1) The current of one color LEDs is too strong or too weak 2) LEDs brightness not enough	1) Check drive current of each color in Main PCB 2) Check LED quality
<b>LEDs of the same color are not lit</b>	1) LED or Main PCB damaged	1) Replace damaged LED or Main PCB

## 4.5 DMX ADDRESS

**MENU** → **DMX** → (1~512)

- Enter the **【DMX】** mode to set the DMX address, press **【Enter】**
- On successful setting, the fixtures will display Green and turn off after ten seconds
- If an error occurs when setting, the fixtures will display Red or no response

## 4.6 PERSONALITY

**MENU** → **PERSON** → **SOLID**

- Enter **【PERSON】** and select **【SOLID】** DMX work mode, press **【Enter】**

## 4.7 DIMMER

**MENU** → **DIMMER** → **OFF**  
**DIM1**  
**DIM2**  
**DIM3**  
**DIM4**

- Enter the **【DIMMER】** to select the dimmer work mode, press **【Enter】**
- When Dimmer is set to **【OFF】**, the Dimmer is linear,
- When selecting **【DIM1】**, **【DIM2】**, **【DIM3】** or **【DIM4】**, the Dimmer is nonlinear
- These 4 dimming modes have different soft and smooth dimming effects from fast to slow

## 4.8 STATIC

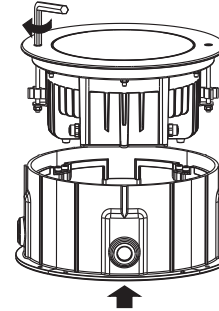
**MENU** → **STATIC** → **RED** → (0~255)

- Enter the **【STATIC】** mode to create the programs
- The static setting will be valid when the fixture is powered again

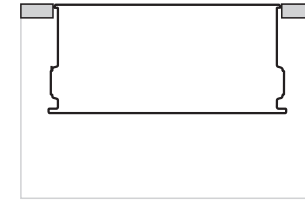
# 2 INSTALLATION

## 2.1 MOUNTING

- Embed the outer casing first before installing the fixture.

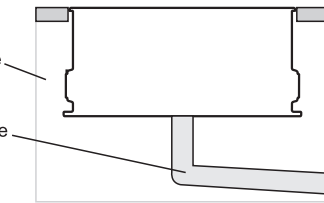
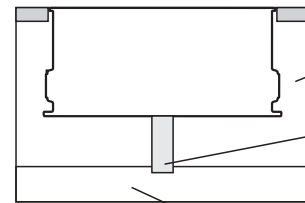
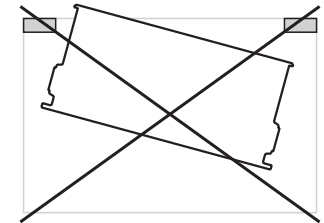
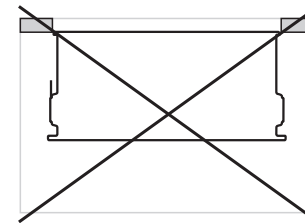


**NOTE:** When installing the collar, ensure that one of the cable outlets is perpendicular to the target illumination surface.

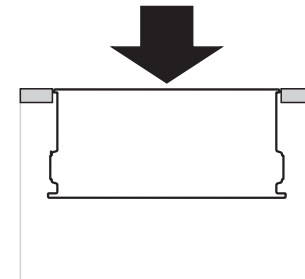


OK

**NOTE:** The stainless steel cover should not exceed the ground..



Hardpan

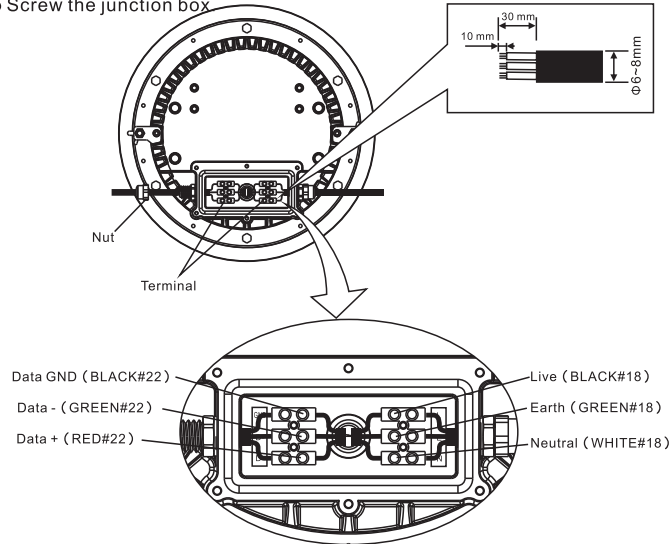


3000kg

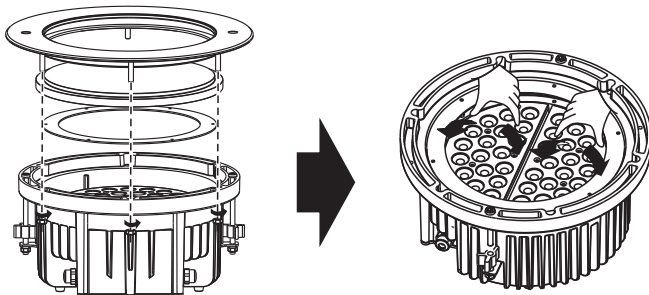
The fittings have been designed and tested to withstand a static load of 3000kg (based on the outer casing) for installation exclusively in pedestrian or bicycle areas.

## 2.2 WIRING DIAGRAMS

- Unscrew the junction box and remove the cover. Fetch the terminal for cable connection.
- Put the cable(  $\Phi 6\sim 8\text{mm}$ ) through the junction box .
- The power cable should strict follow to 18AWG standard, with UL, CE approval and Anti-UV, SJTW function; while the signal cable should use 4-pin shield cable, with the cable size #24 and outer diameter  $\Phi 6.5$ .
- Tighten the terminal with the cable according to the instruction.
- Screw the junction box



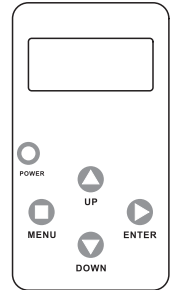
## 2.3 ADJUST THE BEAM ANGLE



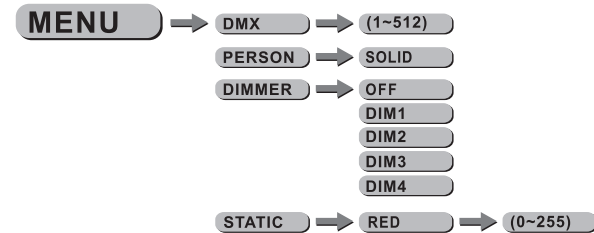
**NOTE:** The bolts that secure the frame to the body must be fully tightened in a uniform manner, alternating between diametrically opposed bolts. To facilitate the extraction of the glass without damaging the seal fitted onto the frame, unscrew all the nuts except for two adjacent ones and wait a few seconds; then unscrew the remaining nuts and remove the glass.

## 4.3 BASIC

- 【 POWER 】** Power on
- 【 MENU 】** Scroll through the main menu or exit from the current sub-menu (press and hold to turn off power)
- 【 ENTER 】** Enter the currently selected menu or confirm the current function value
- 【 DOWN 】** Scroll 'DOWN' through the menu list or decrease the value of the current function
- 【 UP 】** Scroll 'UP' through the menu list or increase the value of the current function

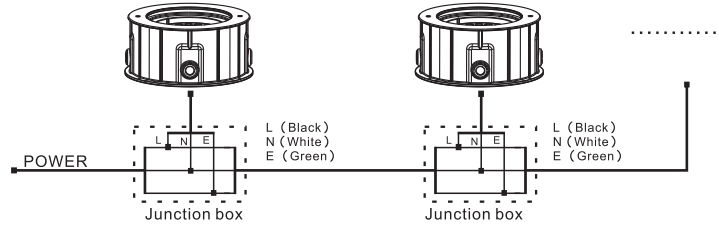


## 4.4 MENU



## 2.4 POWER CONNECTIONS

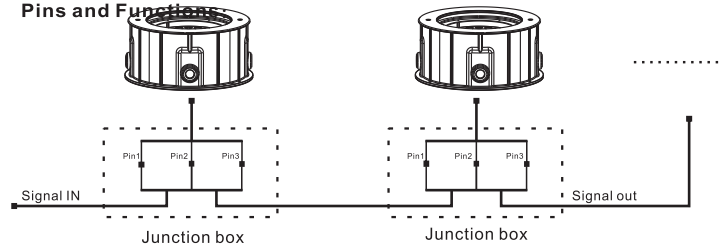
The input wires of this product must tri-core , as following :



## 2.5 SIGNAL CONNECTIONS

It is advised for greater stability that if over 20 units to be connected, or the total signal cable length is over 60 meters, a DMX signal amplifier should be used.

### Pins and Functions



Pins  
Pin1 (black)  
Pin2 (green)  
Pin3 (red)

Functions  
Gnd/0  
Data input (-)  
Data input (+)

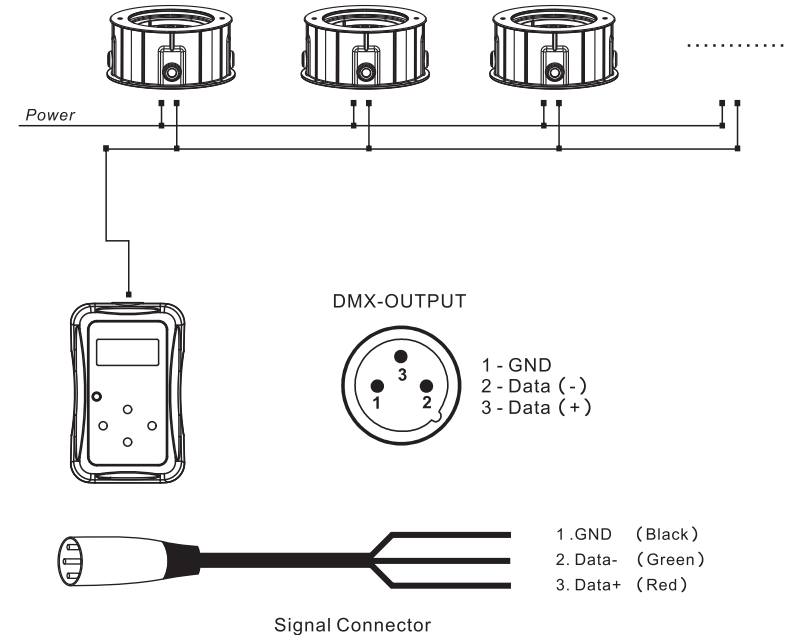
## 4 USING THE DMX CODER

### 4.1 TECHNICAL SPECIFICATIONS

LED MODULE:	
Battery	2 x 1.5V DC
Dimensions	110 x 70 x 28mm
Weight	0.2Kg

### 4.2 SETTING PARAMETERS

- Connect the DMX Coder to the units in series
- Set corresponding DMX address, Personality, Calibration and Dimmer of fixtures through the DMX Coder
- A maximum of 20 units in series can be set by the DMX Coder at the same time
- All connected units will be set with the same information

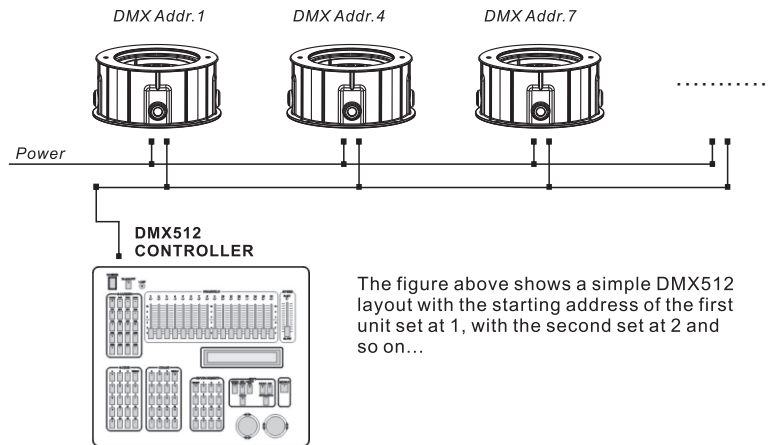


**Note:** The DMX Coder will automatically power off after extended periods of being idle (1 minute)

## 2.6 SETTING UP WITH A DMX512 CONTROLLER

- Connect the units in series, using standard DMX cable or IP 67 cable provided
- Set DMX address using a DMX coder
- Each DMX Address may be used as many times as required
- Any DMX address in the range from 001 to 512 may be used
- Connect the DMX512 controller to the units

### EXAMPLE (SOLID)



## 3 CONTROL WITH A DMX512 CONTROLLER

### 3.1 CHANNEL ASSIGNMENT

- Note: This product has one DMX512 channel configurations: **[SOLID]** ..

#### SOLID

CHANNEL	VALUE	FUNCTION
1	0 ↔ 255	MASTER DIMMER