

NEW

PLUTO 4000 HEX MK2

SS9371XHE



PRODUCT INTRODUCTION

PLUTO 4000 HEX MK2 is the new generation full color range moving wash-RGBALC, high CRI, with ring control for dynamic effects, CCT 1800k-10000k, 16 bit flat dimmer curve, HSIC color mixing control system, pick up any color without a second, Intelligent CCS- color consistency system (Yajiang patent), keeping the same color consistency in different intensity for each model. PLUTO 4000HE HEX it the perfect tool for large/medium-sized application.

PRODUCT PARAMETERS

Optical system

| | |
|--------------|-----------------|
| Light source | 12x60W (RGBALC) |
| Beam angle | 8°-36° |
| Field angle | 13°-45° |
| CRI RA | 95 |

Control System

| | |
|-------------------|--|
| Pan/Tilt rotation | 540°/220°(8-16bit) |
| Dimmer | 0-100%16Bit |
| Cooling | Forced Convection |
| Control | DMX512, RDM, Art Net, SACN, Web server, W-DMX (optional) |

Certification

CE, MET

Appearance

| | |
|--------|------------------------------|
| Size | 390x292x411mm |
| Weight | 12.5kg |
| Casing | Flame-retardant plastic (V0) |
| Color | Black |

Electrical Specs

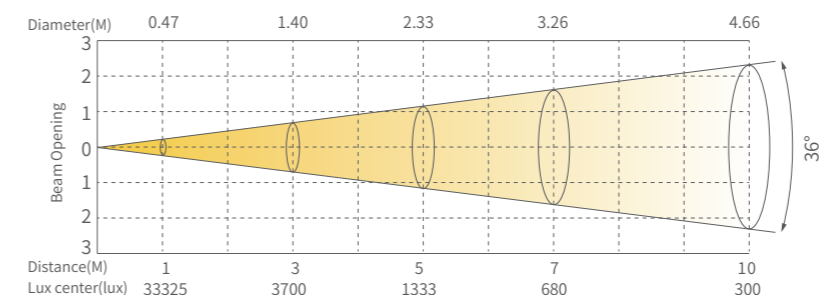
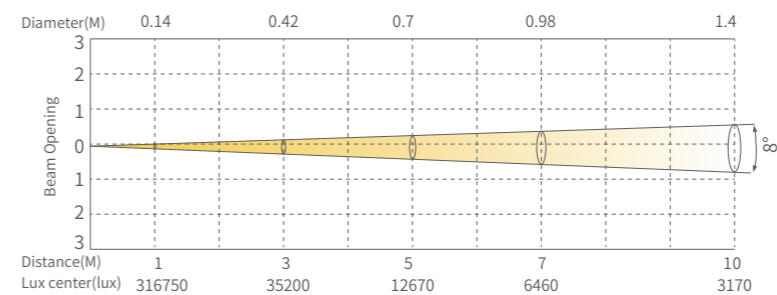
| | |
|------------------|--|
| Voltage | 100-240VAC, 50/60Hz |
| Max. Power | 536W |
| Power Connection | power in and out |
| Signal socket | 3pin or 5pin in and out, RJ45 in and out for Art-net |

| | |
|-----------------|---|
| Display | On board Control, Custom Mode, 0-25Hz Strobe |
| Con Personality | HSIC(13CHS), PERSON1(18CHS), PERSON2(27CHS), CMY(17CHS), PIXEL(21CHS) |
| Special | Pan/Tilt movement blackout, User-selectable pan/tilt ranges |

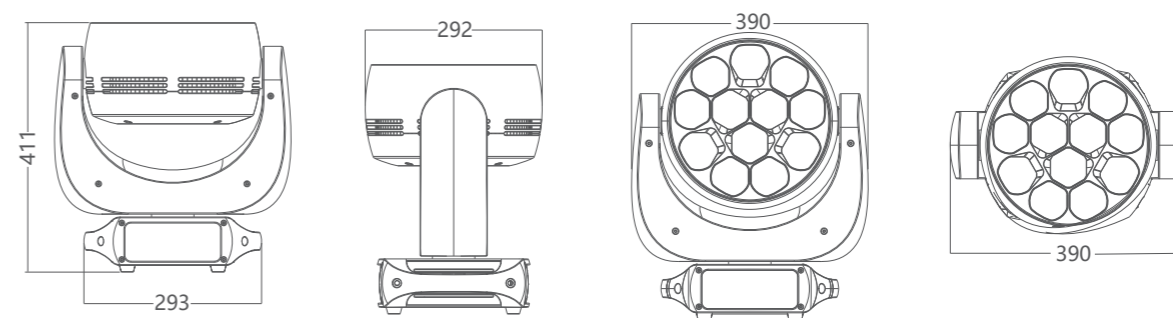
Work Environment

| | |
|--------------|--------|
| Ambient Temp | 0-45°C |
| IP Rated | IP20 |

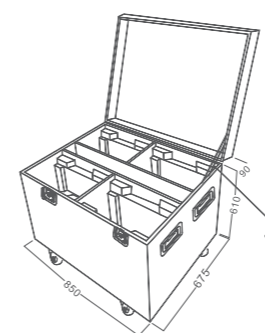
ILLUMINANCE AT DISTANCE



DIMENSIONS



ACCESSORIES (Accessories not included unless otherwise stated)



Wireless receiver Kit
(2440010455)
Flight Case
(1320400161)

PLUTO

MOVING WASH