

图纸编码	RD-SS5141-SM-03(SS-I)			版本号	A
SS5141SWD/SCD 英文说明书				编辑日期	2022/5/9
制作	刘丽萍	审核	白丹	批准	余泽松
物料编码	1320109603				
备注	以 A4 样本打印				F

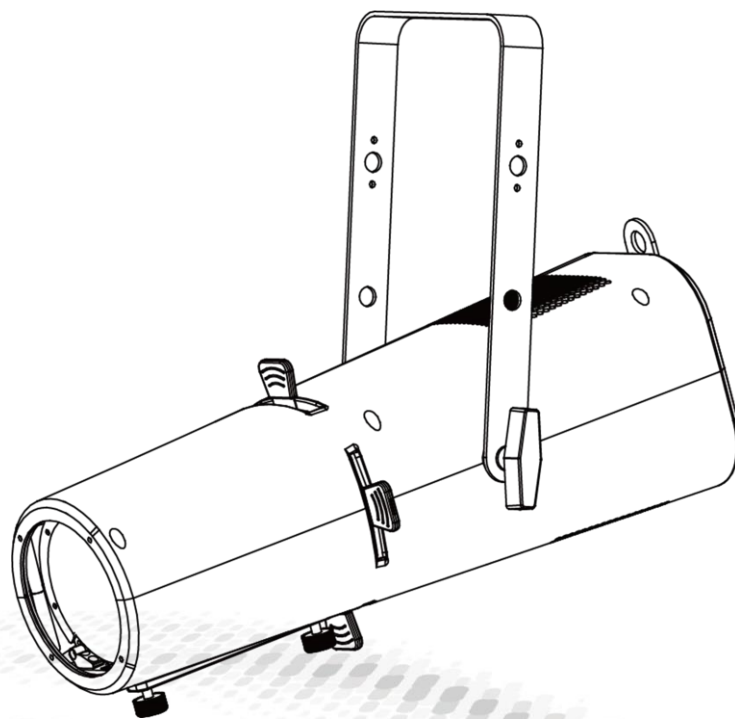


创意源于追求
Own Idea Of Lighting

ECLIPSE 180 SD USER MANUAL



ECLIPSE 180 SD
SS5141



MODEL: SS5141SWD/SCD



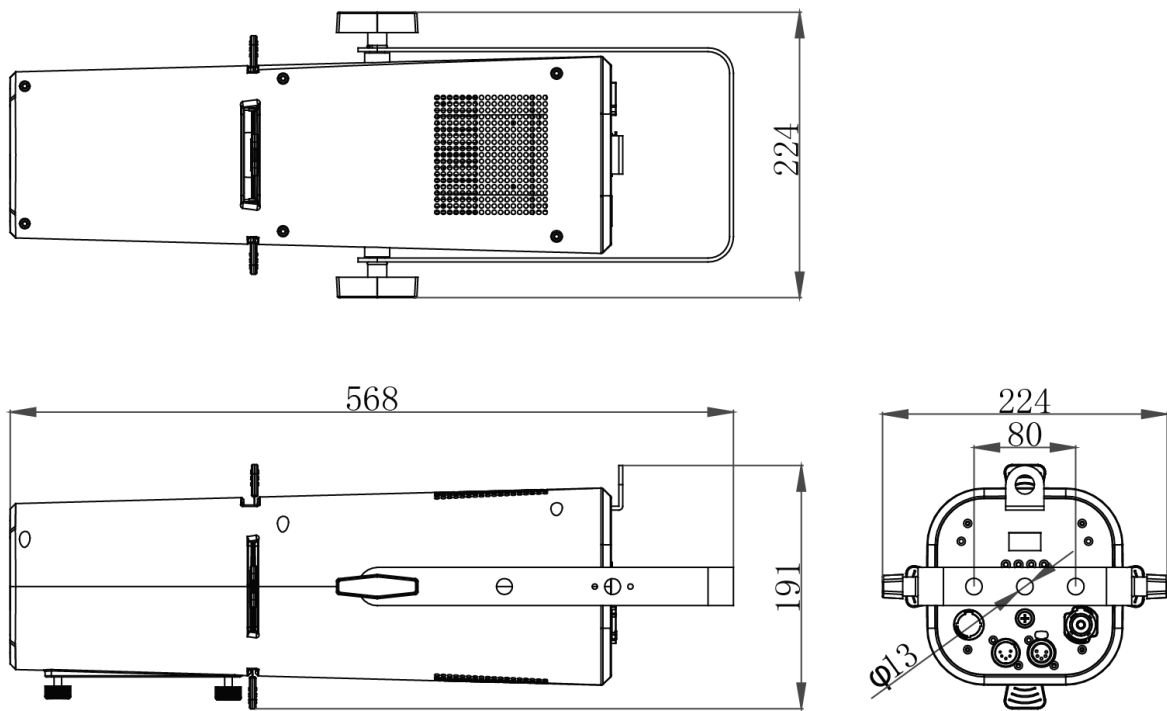
广州市雅江光电设备有限公司
Guangzhou Yajiang Photoelectric Equipment Co., Ltd.
电话/Tel: 020-86947788 邮箱/E-mail: sales@yajiang.cn
传真/Fax: 020-86943773 网址/Website: www.yajiang.cn

1 PRODUCT

1.1 TECHNICAL SPECIFICATIONS

Type	SS5141SWD/SCD
LED colors	150W LED
Power	170W
Voltage Range	AC100~240V,50/60Hz
Protection	IP20
Operation Temperature	0°C~45°C
Dimensions	568x224x191mm
Weight	6.1kg

DIMENSIONS



1.2 Safety Notes

IMPORTANT

- This product must be installed by a qualified professional.
- In order to maintain this condition and to ensure a safe operation, it is absolutely necessary for the user to follow the safety instructions and warning notes
- The manufacturer will not accept liability for any resulting damages caused by the non-observance of this manual or any unauthorized modification to the device.

CAUTION!

- Make sure that the available voltage is not higher than stated on the rear panel.
- Do not touch the power cables if your hands are wet.
- The earth wire must always be connected to the ground. Therefore it is essential to connect the yellow/green conductor to earth.
- Make sure that the power-cord is never crimped or damaged by sharp edges. Check the device and the power-cord from time to time. The electric connection, repairs and servicing must be carried out by a qualified employee.
- Always disconnect power input cable to completely remove power from unit when not in use or before cleaning or servicing the fixture.
- Do not switch the fixture on and off in short intervals as this would reduce the lamp's life.
- Do not touch the device's housing bare hands during its operation (housing becomes hot)! The surface of the product's casing can reach up to 60 C (140F) during operation. Avoid contact by persons and materials. Do not install the product in a location where there is a risk of accidental contact. Allow the product to cool for at least 10 minutes before handling.
- For replacement use lamps and fuses of same type and rating only.
- Please protect the fixture and avoid destroy during transport and installation. If there is any damage to the coating, the shell may be corroded.
- When hanging lamps and lanterns, it is necessary to verify that facilities and hooks can bear at least 10 times the weight of lamps and lanterns.
- Fix the safety rope at the correct holes only. Only operate the fixture after having checked that the housing is firmly closed and all screws are tightly fastened.
- The maximum ambient temperature 45°C must never be exceeded. Do not operate the product if the ambient temperature (Ta) exceeds 45° C (115° F).

Electrical Warning

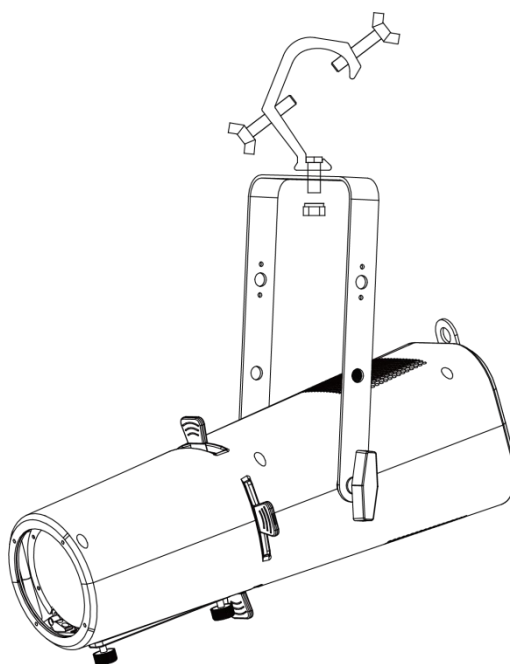
- The light source contained in this luminaire shall only be replaced by the manufacturer or his service agent or a similar qualified person

2 INSTALLATION

2.1 MOUNTING

UPRIGHT

- ◆ Keep all combustible materials (e.g. fabric, wood, paper) at least 500 mm (20 in.) away from the product.
- ◆ For overhead use, always install a safety cable that can hold at least 10 times the weight of the fixture.
- ◆ For overhead installation, the fixture must be always secured with a safety wire that can bear at least 10 times the weight of the fixture; Secure the fixture with a safety cable through the rear safety eye as shown.
- ◆ Ensure that the structure (truss) to which you are attaching the fixture is secure



Hanging layout

2.2 POWER CONNECTIONS

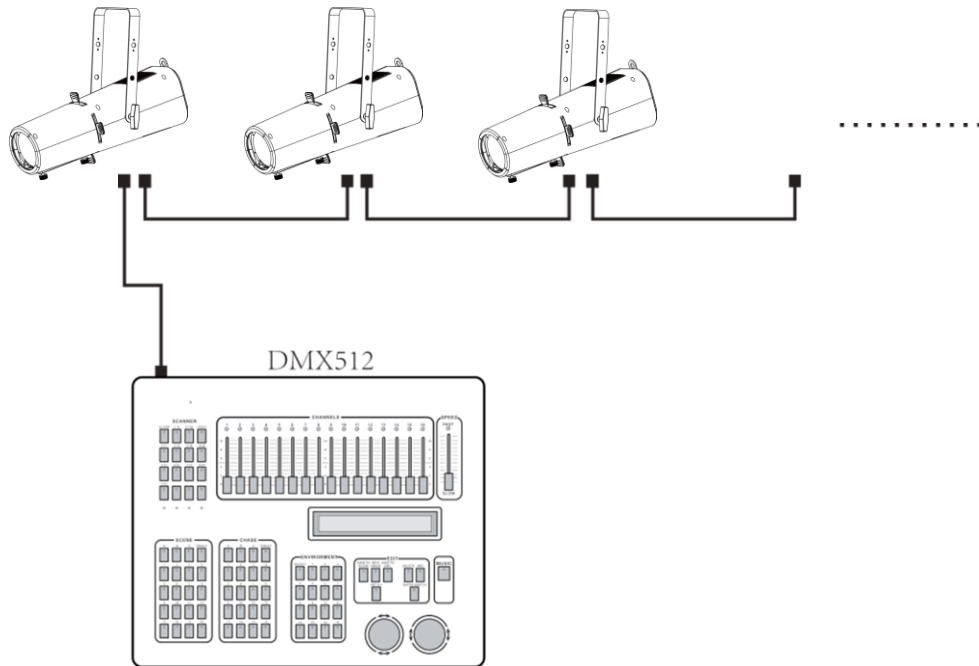
- ◆ POWER Linking: 6 units@110V; 12 units@220V.
- ◆ This product has an auto-ranging power supply that can work with an input voltage range of 100–240 VAC, 50/60 Hz.

AC Plug

Connection	Wire (U.S.)	Wire(Europe)	Screw Color
AC Live	Black	Brown	Yellow/Brass
AC Neutral	White	Blue	Silver
AC Ground	Green/Yellow	Green/Yellow	Green

2.3 Data network requirements

- ◆ Connect the DMX512 controller to the units in series. A DMX 512 data link is required in order to control the fixture via DMX. The fixture has 3/5-pin XLR connectors for DMX data input and output.
- ◆ Each unit has N DMX channels so the DMX Addresses should increase by increments of 1, (Nx1)+1, (Nx2)+1, (Nx3)+1...
- ◆ Any DMX address in the range from 001 to 512 may be used.



3 FUNCTIONS AND SETTINGS

3.1 DISPLAY OPERATION

- ◆ MENU: Used to access the menu or to return a previous menu option;
- ◆ ENTER: Used to select and store the current menu or confirm the current function value or option within a menu;
- ◆ UP: Navigates downwards through the menu list and increases the numeric value when in a function;
- ◆ DOWN: Navigates upwards through the menu list and decreases the numeric value when in a function;

3.2 Menu Map

STATIC	WHITE	0-255		Combine [WHITE] to create an infinite range of colors (0-255). Set the value of the [STROBE] (0-25Hz).		
	STROBE	0-25				
ADDRESS	001-512 (default001)			Set the DMX ADDRESS		
RUN MODE	DMX (default)			Sets the mode to DMX control		
	SLAVE			Sets the mode to master/slave		
	DMMR			Sets the mode to dimmer control		
	SENS			Automatically chooses between DMMR and DMX		
PERSONALITY	UNO			Use the menu to select desired channel mode		
	DOS					
	STD.P					
SETTING	****	RESET	****	RESET	Restore factory settings	
		DIMMER	DIM4 (default)			Dimming curves OFF(fast) to DIM4 (slow);
			DIM3			
			DIM2			
			DIM1			
			OFF			
		DMX ERROR	SAVE (default)			Hold after loss of DMX signal
			BLACK			Blackout after loss of DMX signal
		PWM_RATE	1200HZ (default)			Sets the PWM frequency
			2400HZ			
			4000HZ			
			6000HZ			
			25000HZ			
		PERFORM	LIVE (default)			Fan mode low speed
			POWER			Fast rotation of fan, all power
			STUDIO			Automatic rotation of fan
DISP KEY	ON (default)			Locks display (passcode is <UP>, <DOWN>,<UP>, <DOWN>, <ENTER>)		
	OFF					
DISP TIME	ON			Display backlight always on		
	10s			Turns off display backlight after 10s/30s		

			30s (default)	/2min of inactivity
			2min	
		LANGUAGE	****	Chinese
				English(default)
INFO	FIXTURE HOURS			Hours of fixture use
	VERSION			Software versions
	RDM	UID	0x388Axxxxxxx	Check fixture's ID
		LABEL		Check fixture's LABEL
All passwords of this product are <UP>, <DOWN>,<UP>, <DOWN>, <ENTER>				

4 USING A DMX512 CONTROLLER

4.1 DMX CONTROL

UNO	DOS	STD.P	Value	Function
Channel				
CH.1	CH.1	CH.1	0-255	DIMMER
-	CH.2	CH.2	0-255	DIMMER FINE
-	-	CH.3	STROBE	
			0-9	NO FUNCTION
			10-99	STROBE FROM (SLOD TO FAST, 0-25Hz)
			100-109	NO FUNCTION
			110-179	LIGHTNING STROBE
			180-189	NO FUNCTION
			190-255	RANDOM STROBE
-	-	CH.4	CONTROL (EXECUTE AFTER 3 SECONDS)	
			000-010	NO FUNCTION
			011-060	RESERVED
			061-070	LIVE
			071-080	STUDIO
			081-090	POWER
			091-100	RESERVED
			101-110	DIMMER OFF
			111-120	DIMMER DIM4
			121-150	RESERVED
			151-160	1200Hz
			161-170	2400Hz
			171-180	4000Hz
			181-190	6000Hz
			191-200	25000Hz
201-210	ALL RESET			
211-255	RESERVED			