
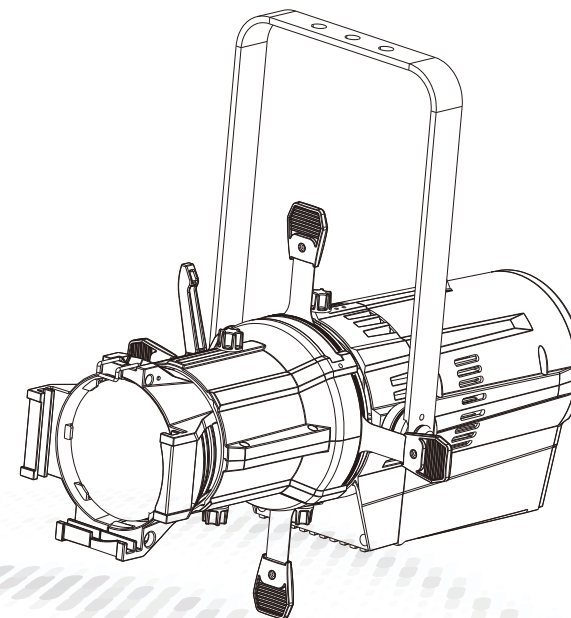


雅江光電 YAJIANG APPLIED TECHNOLOGIES				图纸编号	RD-SS5153-SM-01(SS-I)	版本号	A
SS5153SWD/SCD英文说明书				编制日期		2021/11/17	
制作	刘丽萍	SSP	白丹	审核		批准	余泽松
文件名及路径							
新物料编号		1320109569					
旧物料编号					成品编号		
通用产品		SS5153SWD/SCD					
备注		F					

# ECLIPSE 250 SD

## USER MANUAL

 <sup>®</sup> ECLIPSE 250 SD  
SS5153



**MODEL : SS5153SWD / SCD**



Since 1985

广州市雅江光电设备有限公司  
Guangzhou Yajiang Photoelectric Equipment Ltd.

电话/Tel: 020-86947788 邮箱/E-mail: sales@yajiang.cn  
传真/Fax: 020-86943773 网址/Website: www.yajiang.cn

# 1 PRODUCT SPECIFICATIONS

## 1.1 PRODUCT SPECIFICATIONS

- ◆ Voltage: 100V-240V~, 50/60Hz
- ◆ Max Power: 240W
- ◆ Size: 720x380x340mm
- ◆ Weight: 9.6kg

## 1.2 SAFETY WARNING

### IMPORTANT:

- This product must be installed by a qualified professional.
- All maintenance must be carried out by a qualified electrician.
- A minimum distance of 0.5m must be maintained between the equipment and a combustible surface.
- The product must always be operated in a well ventilated area.
- DO NOT stare directly into the LED light source.
- Always disconnect the power before carrying out any maintenance.
- The earth must always be connected to the ground.
- Ensure that all parts of the equipment are kept clean and free of dust.



Caution, risk of electric shock

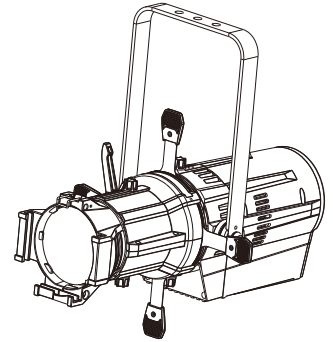
- The light source contained in this luminaire shall only be replaced by the manufacturer or his service agent or a similar qualified person.
- If the external flexible cable or cord of this luminaire is damaged, it shall be exclusively replaced by the manufacturer or his service agent or a similar qualified person in order to avoid a hazard. For indoor use only.

## 2 INSTALLATION

### 2.1 MOUNTING

#### HANGING

The LED fixture can be mounted in a hanging position using the supporting bracket. The bracket should be secured to the mounting truss or structure using a standard mounting clamp. Please note that when hanging the unit a safety cable should also be used.



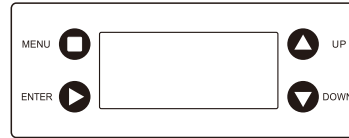
### 2.2 POWER CONNECTIONS

- 220~240V: 7 units may be connected in series
- 110~120V: 4 units may be connected in series

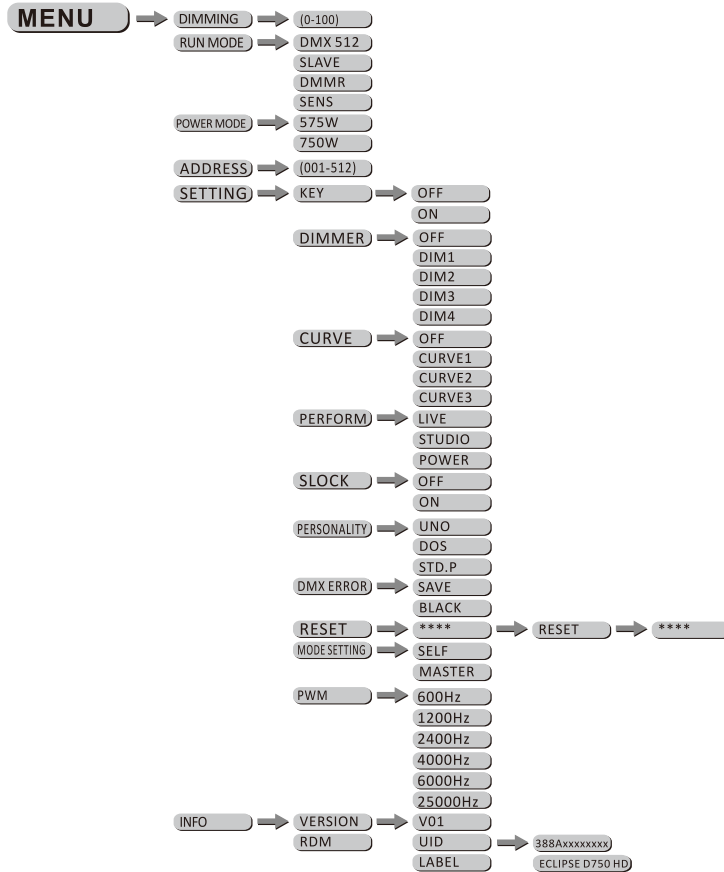
# 3 DISPLAY PANEL OPERATION

## 3.1 DISPLAY OPERATION

- 【 MENU 】 return to the previous menu.
- 【 ENTER 】 enter the currently selected menu.
- 【 UP 】 scroll down through the current menu list or decrease the value of the current function.
- 【 DOWN 】 scroll up through the current menu list or increase the value of the current function.

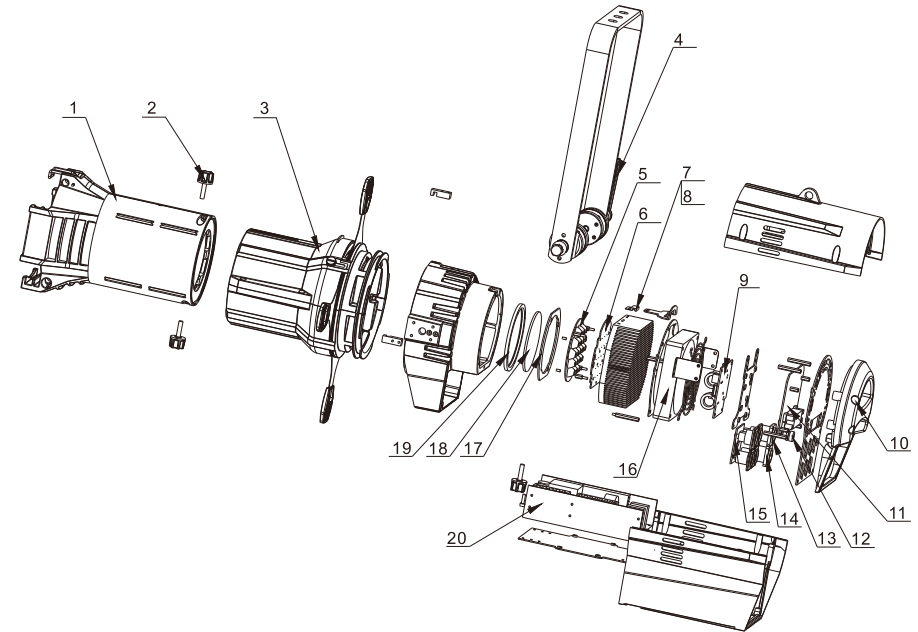


## 3.2 MENU MAP



# 5 APPENDIX

## 5.1 PARTS DIAGRAM



NO	ITEM	NO	ITEM
1	Focus tube components(19°ED)	9	Driver board
	Focus tube components(26°ED)	10	Afterbody plastic handle
	Focus tube components(36°ED)	11	Display PCB
	Focus tube components(50°ED)	12	Fuse holder
2	Handwringing screw	13	PS socket (male)
3	Light tube components	14	PS socket (male)
4	M10 hand shank	15	Adaptor PCB
5	15 degree lens(19 in 1)	16	Fan
6	LED board	17	92 lens fixed cover
7	Thermal switch holder	18	Φ 92 convex 1
8	Thermal switch	19	92 lens fixed cover
		20	Power Supply

# 4 USING A DMX512 CONTROLLER

## 4.1 CHANNEL ASSIGNMENT

- Note: This product have three DMX512 channel configuration: [ UNO ] / [ DOS ] / [ STD.P ]

### UNO

CHANNEL	VALUE	FUNCTION
1	0 ↔ 255	DIMMER

### DOS

CHANNEL	VALUE	FUNCTION
1	0 ↔ 255	DIMMER
2	0 ↔ 255	FINE DIMMER

### STD.P

CHANNEL	VALUE	FUNCTION
1	0 ↔ 255	DIMMER
2	0 ↔ 255	FINE DIMMER
3	0 ↔ 9	NO STROBE
	10 ↔ 99	STROBE (SLOW TO FAST 0-25HZ)
	100 ↔ 109	NO STROBE
	110 ↔ 179	LIGHTNING STROBE (SLOW TO FAST)
	180 ↔ 189	NO STROBE
	190 ↔ 255	RANDOM STROBE (SLOW TO FAST)

## 3.3 DIMMER (DIMMING)



- [DIMMING]...this menu allows the user to manually control the intensity of the fixture. Use <UP> or <DOWN> keys to select required intensity.

## 3.4 RUN MODE



- [RUN MODE]...this menu allows the user to select the operating mode of the fixture. Select [DMX 512] for normal DMX operation or [SLAVE] for slave operation.

## 3.5 POWER MODE



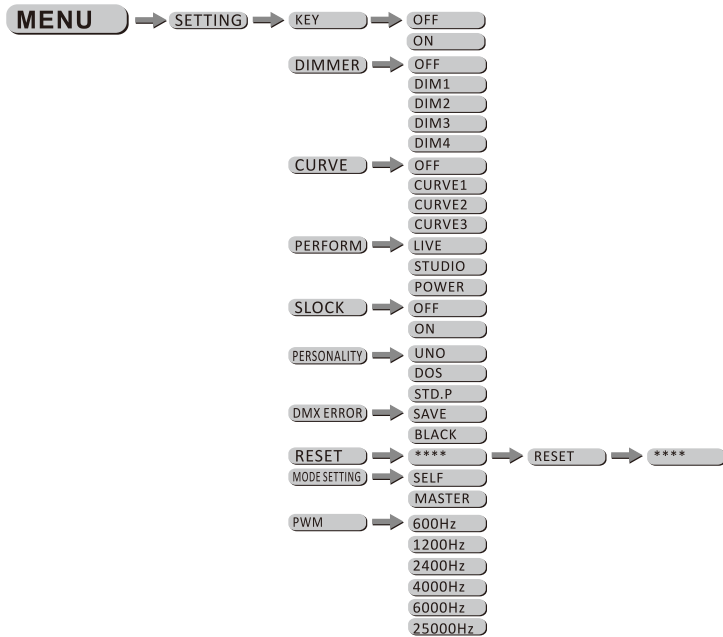
- Press ENTER to enter < POWER MODE >
- Press UP/DOWN and select <575W> or <750W>

## 3.6 DMX ADDRESS



- [ADDRESS]...this menu allows the user to select the start address of the fixture. Use <UP> or <DOWN> keys to select required start address.

### 3.7 SPECIAL SETTINGS

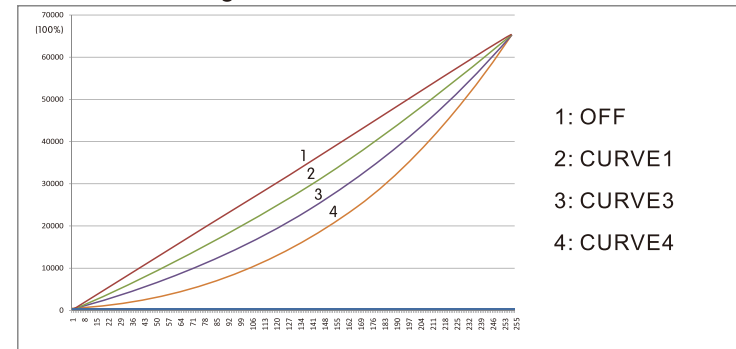


- [SETTING]...this menu allows the user to adjust key operation settings for this fixture. [KEY]...select [ON] for automatic lock-out. Password to re-enter the display is <UP> + <DOWN> + <UP> + <DOWN>.
- Select [DIM1], [DIM2], [DIM3] or [DIM4] for different dimming speeds. ([DIM4] is the slowest dimming speed)
- [CURVE] allows the user to adjust the shape of the dimming curve. See the CURV chart to Understand more about actual dimming curves.
- [PERFORM]...this setting allows the user to select the performance characteristics of the fixture. [LIVE] mode is the default mode which balances the requirements of output and noise. [STUDIO] mode maintains extremely low noise at all times and operates at a moderated power level. [POWER] mode operates at high power for long periods of time without making considerations for noise levels.
- [SLOCK] is used to lock the settings menu. When [SLCK] is set to [ON] then user must insert passcode (UP+DOWN+UP+DOWN) in order to access the settings menu.
- [PERSONALITY]...this setting allows the user to select the DMX personality of the fixture. Refer to DMX personality charts for specific details.
- [DMX ERROR] Choose [Save] in order to save the last DMX data incase of DMX signal error. Choose [Black] in order to blackout in case of DMX signal error.
- In order to reset custom modes to default values select [RESET] .
- [MODE SETTING]...this function allows the user to select whether the fixture will send DMX data to other fixtures during stand-alone operation. The [MAST] setting allows data to be sent to Other fixtures. The [SELF] setting is default and will not send DMX data to other fixtures.

● <PWM> is PWM refresh rate bottom, press UP/DOWN to choose <600Hz>, <1200Hz>, <2400Hz>, <4000Hz>, <6000Hz>, <25000Hz>; (note: <1200Hz> is default setting)

Note: with refresh rate increased, gray rate of dimmer will be reduced, (that's means high refresh rate, low gray rate), when it's <4000Hz>, CV3 is invalid, when it's <25000Hz>, CV1 CV2 CV3 are invalid, so please lower PWM rate to increase gray rate in necessary.

### CURVE dimming



### 3.8 INFO



- push [ OK ] button into the information search mode in menu [ INFO ] , push [ up/down ] to choose item.  
Choose [ VERSION ] software version  
Choose [ RDM ] check the fixture ID