
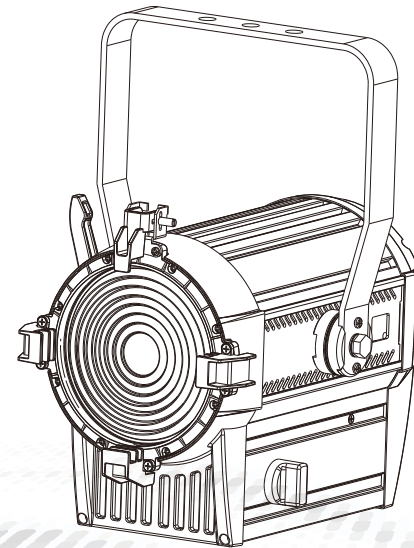


雅江光電 YAJIANG APPLIED TECHNOLOGIES				图纸编号	RD-SS5232-SM-01(SS-I)	版本号	A
SS5232SWD/SCD英文说明书				编制日期		2022/2/23	
制作	刘丽萍	SSP	白丹	审核		批准	余泽松
文件名及路径							
新物料编号		1320109596					
旧物料编号				成品编号			
通用产品							
备注		F					

FREZNO 100 SD

USER MANUAL

 [®] FREZNO 100 SD
SS5232



MODEL:SS5232SWD/SS5232SCD



Since 1985

广州市雅江光电设备有限公司
Guangzhou Yajiang Photoelectric Equipment Ltd.

电话/Tel:020-86947788 邮箱/E-mail:sales@yajiang.cn
传真/Fax:020-86943773 网址/Website:www.yajiang.cn

1 PRODUCT SPECIFICATIONS

1.1 Product introduction

This high-power LED cast light is made of cast aluminium shell, with beautiful appearance, high efficiency and low power consumption, Durable and dustproof, suitable for indoor use. Products in strict accordance with CE standards for design and production, fully in line with international standards DMX512 agreement, both single Control, also can be controlled, suitable for large-scale theatrical performances, theatre, studio, disco, hotel The hotel's interior and exterior walls and other places to use.

1.2 Product characteristics

- Master slave control, multi machine interconnection control
- Support DMX512 console control
- Multiple DMX control modes
- Over temperature automatic protection
- Grayscale 16 bit
- Strobe function
- Linear dimming and nonlinear dimming curve are optional
- Password protected keyboard
- SCR control mode

1.3 PRODUCT SPECIFICATIONS

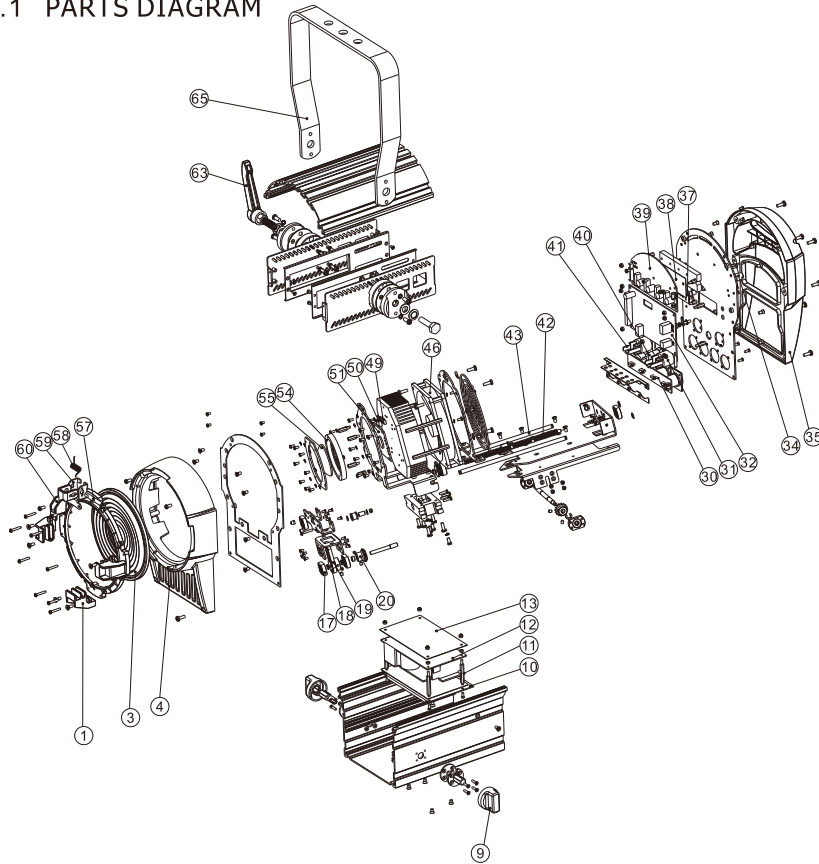
- ◆ Voltage: 100V-240V~, 50/60Hz
- ◆ Max Power: 100W
- ◆ Size: 323*281*266mm
- ◆ Weight: 6.1kg
- ◆ LED Qty: WW/CW*1pcs

NO	ITEM
1	Shade leaf buckle
3	Φ150 Thread mirror
4	Front cover
9	Knob
12	Power Supply
13	PS isolation sheet
17	Bearing block
18	Pulley
19	Belt
20	Bevel gear
30	Adaptor PCB
31	PS socket (male)
32	Display PCB
34	Knob cap
35	Plastic back cover

NO	ITEM
37	Control board
38	Insulating heat conduction sheet
39	Driver board
40	Fuse holder
41	PS socket (male)
42	Screw thread drive shaft
43	Leader
46	Fan
49	Thermal switch
51	LED board
54	Lens frame
55	Φ52 Collecting mirror
57	Shade leaf buckle of spindle
58	Torsion spring
59	Shade leaf buckle mounting bracket
60	Buckle 1
63	M10 hand shank
65	Hanging bracket

5 APPENDIX

5.1 PARTS DIAGRAM



1.4 SAFETY WARNING

IMPORTANT:

- This product must be installed by a qualified professional.
- All maintenance must be carried out by a qualified electrician.
- A minimum distance of 0.5m must be maintained between the equipment and a combustible surface.
- The product must always be operated in a well ventilated area.
- DO NOT stare directly into the LED light source.
- Always disconnect the power before carrying out any maintenance.
- The earth must always be connected to the ground.
- Ensure that all parts of the equipment are kept clean and free of dust.



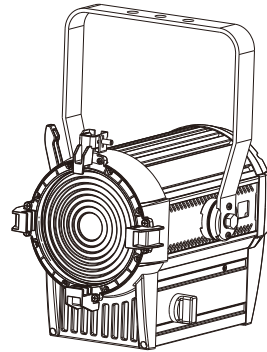
Caution, risk of electric shock
The light source contained in this luminaire shall only be replaced by the manufacturer or his service agent or a similar qualified person.

2 INSTALLATION

2.1 MOUNTING

HANGING

The LED fixture can be mounted in a hanging position using the supporting bracket. The bracket should be secured to the mounting truss or structure using a standard mounting clamp. Please note that when hanging the unit a safety cable should also be used.



2.2 POWER CONNECTIONS

- 220~240V: 13 units may be connected in series
- 110~120V: 6 units may be connected in series

4 USING A DMX512 CONTROLLER

4.1 CHANNEL ASSIGNMENT

- Note: This product has three DMX512 channel configurations: [UNO] / [DOS] / [STD.P]

UNO

CHANNEL	VALUE	FUNCTION
1	0 ↔ 255	DIMMER

DOS

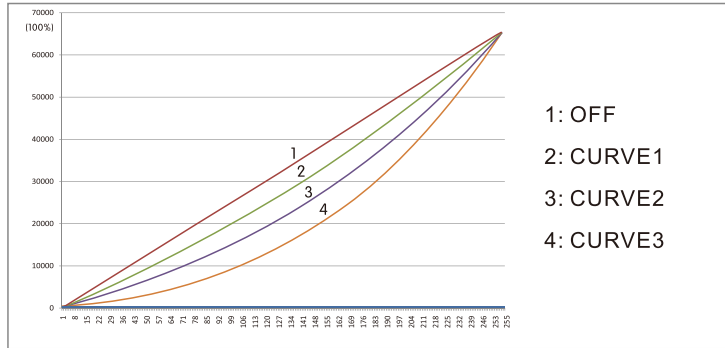
CHANNEL	VALUE	FUNCTION
1	0 ↔ 255	DIMMER
2	0 ↔ 255	FINE DIMMER

STD.P

CHANNEL	VALUE	FUNCTION
1	0 ↔ 255	DIMMER
2	0 ↔ 255	FINE DIMMER
3	0 ↔ 9	NO STROBE
	10 ↔ 99	STROBE (SLOW TO FAST 0-25Hz)
	100 ↔ 109	NO STROBE
	110 ↔ 179	LIGHTING STROBE (SLOW TO FAST)
	180 ↔ 189	NO STROBE
	190 ↔ 255	RANDOM STROBE (SLOW TO FAST)

●<PWM> is PWM refresh rate bottom, press UP/DOWN to choose <600Hz>、<1200Hz>、<2400Hz>、<4000Hz>、<6000Hz>、<25000Hz>; (note: <1200Hz>is default setting)
 Note: with refresh rate increased, gray rate of dimmer will be reduced, (that's means high refresh rate, low gray rate), when it's <4000Hz>,CV3 is invalid, when it's <25000Hz>,CV1 CV2 CV3 are invalid, so please lower PWM rate to increase gray rate in necessary.

CURV dimming



3.7 INFO

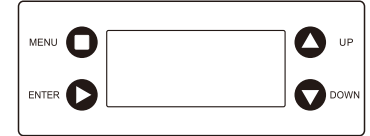


- push [OK] button into the information search mode in menu [INFO] , push [up/down] to choose item.
- Choose [VERSION] software version
- Choose [RDM] check the fixture ID

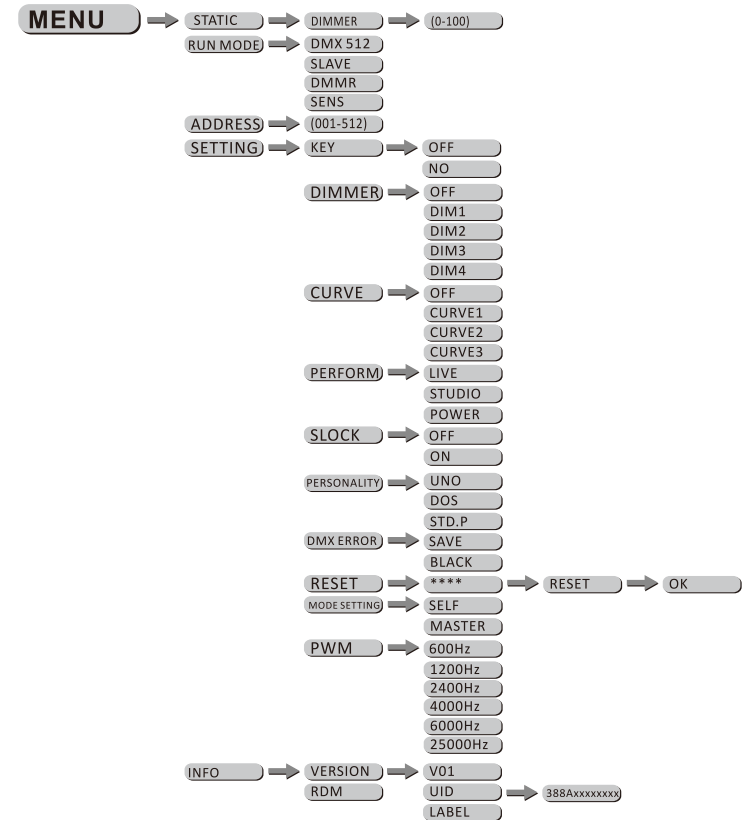
3 DISPLAY PANEL OPERATION

3.1 DISPLAY OPERATION

- 【 MENU 】 return to the previous menu.
- 【 ENTER 】 enter the currently selected menu.
- 【 UP 】 scroll down through the current menu list or decrease the value of the current function.
- 【 DOWN 】 scroll up through the current menu list or Increase the value of the current function.



3.2 MENU MAP



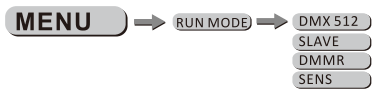
3.3 DIMMER (DIMMER)



- [DIMMER]...this menu allows the user to manually control the intensity of the fixture. Use <UP> or <DOWN> keys to select required intensity.

Note: When using this function, if the [MCON] menu is set as [MAST], then the fixture will transfer the [DIM] values to other fixtures. ii) When DMX data is received at the fixture, it will automatically return to main menu after 2 minutes of no key operation.

3.4 RUN MODE



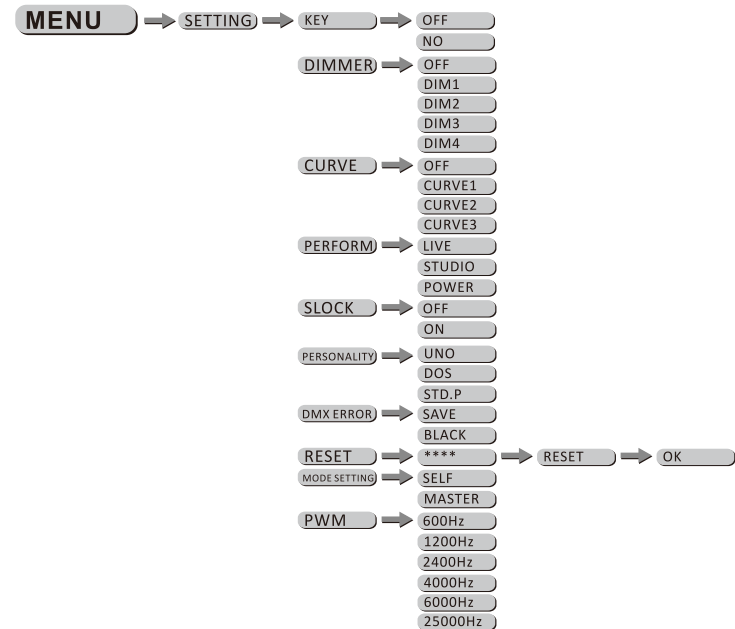
- [RUN MODE]...this menu allows the user to select the operating mode of the fixture. Select [DMX 512] for normal DMX operation or [SLAVE] for slave operation or [DMMR] or [SENS].

3.5 ADDRESS



- [ADDRESS]...this menu allows the user to select the start address of the fixture. Use <UP> or <DOWN> keys to select required start address.

3.6 SPECIAL SETTINGS



- [SETTING]...this menu allows the user to adjust key operation settings for this fixture. [KEY]...select [ON] for automatic lock-out. Password to re-enter the display is <UP> + <DOWN> + <UP> + <DOWN>.
- Select [DIM1], [DIM2], [DIM3] or [DIM4] for different dimming speeds. ([DIM4] is the slowest dimming speed)
- [CURVE] allows the user to adjust the shape of the dimming curve. See the CURV chart to Understand more about actual dimming curves.
- [PERFORM]...this setting allows the user to select the performance characteristics of the fixture.
- [LIVE] mode is the default mode which balances the requirements of output and noise. [STUDIO] mode maintains extremely low noise at all times and operates at a moderated power level. [POWER] mode operates at high power for long periods of time without making considerations for noise levels.
- [SLOCK] is used to lock the settings menu. When [SLOCK] is set to [ON] then user must insert passcode (UP+DOWN+UP+DOWN) in order to access the settings menu.
- [PERSONALITY]...this setting allows the user to select the DMX personality of the fixture. Refer to DMX personality charts for specific details.
- [DMX ERROR] Choose [Save] in order to save the last DMX data in case of DMX signal error. Choose [Black] in order to blackout in case of DMX signal error.
- In order to reset custom modes to default values select [RESET].
- [MODE SETTING]...this function allows the user to select whether the fixture will send DMX data to other fixtures during stand-alone operation. The [MASTER] setting allows data to be sent to other fixtures. The [SELF] setting is default and will not send DMX data to other fixtures.