

图纸编码	RD-AG1681-SM-01(ARC-I)			版本号	C
AG1681SCT-P 英文说明书				编辑日期	2023/8/7
制作	刘丽萍	审核	韩子晓	批准	余泽松
物料编码	1320109728				
修改内容	更新通道表				
备注	以 A4 样本打印				H

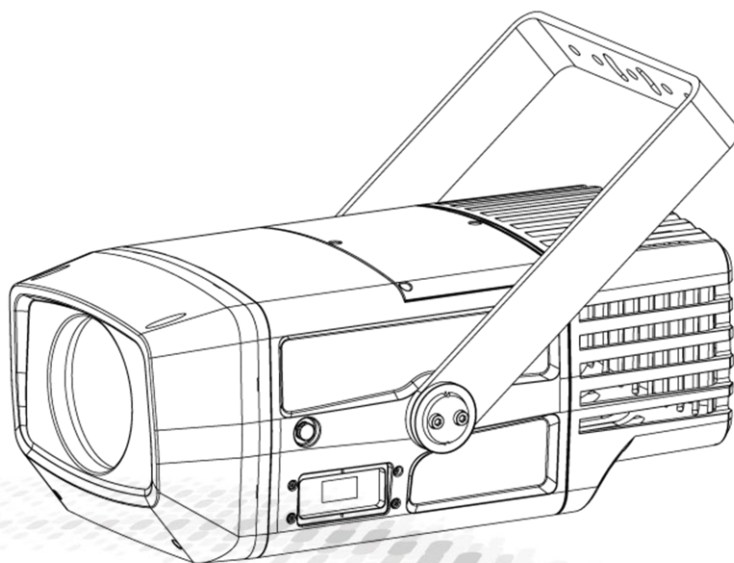


创意源于追求
Own Idea Of Lighting

Eidolon 800Pro

USER MANUAL

arctik[®] Eidolon 800Pro
ARCHITECTURAL TECHNOLOGY AG1681



MODEL:AG1681SCT-P



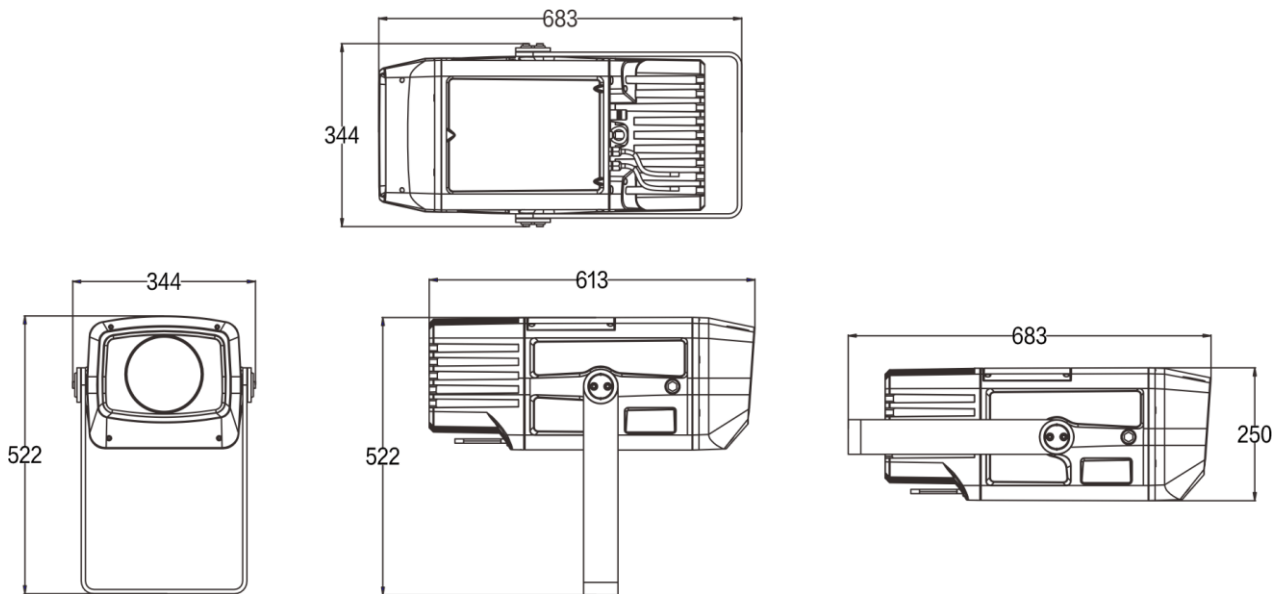
广州市雅江光电设备有限公司
Guangzhou Yajiang Photoelectric Equipment Co., Ltd.
电话/Tel:020-86947788 邮箱/E-mail:sales@yajiang.cn
传真/Fax:020-86943773 网址/Website:www.yajiang.cn

1 PRODUCT

1.1 TECHNICAL SPECIFICATIONS

Type	AG1681SCT-P
LED colors	600W LED
Power	750W
Voltage Range	90-277V~
Frequency Range	50/60Hz
Protection	IP66
Operation Temperature	-20°C~45°C
Dimensions	683×344×250mm
Weight	27kg

DIMENSION



1.2 Safety Notes

IMPORTANT

- This product must be installed by a qualified professional.
- In order to maintain this condition and to ensure a safe operation, it is absolutely necessary for the user to follow the safety instructions and warning notes
- The manufacturer will not accept liability for any resulting damages caused by the non-observance of this manual or any unauthorized modification to the device.

CAUTION!

- Make sure that the available voltage is not higher than stated on the rear panel.
- Do not touch the power cables if your hands are wet.
- The earth wire must always be connected to the ground. Therefore it is essential to connect the yellow/green conductor to earth.
- Make sure that the power-cord is never crimped or damaged by sharp edges. Check the device and the power-cord from time to time. The electric connection, repairs and servicing must be carried out by a qualified employee.
- Always disconnect power input cable to completely remove power from unit when not in use or before cleaning or servicing the fixture.
- Do not switch the fixture on and off in short intervals as this would reduce the lamp's life.
- Do not touch the device's housing bare hands during its operation (housing becomes hot)! The surface of the product's casing can reach up to 70° C (158° F) during operation. Avoid contact by persons and materials. Do not install the product in a location where there is a risk of accidental contact. Allow the product to cool for at least 10 minutes before handling.
- For replacement use lamps and fuses of same type and rating only.
- Please protect the fixture and avoid destroy during transport and installation. If there is any damage to the coating, the shell may be corroded.
- When hanging lamps and lanterns, it is necessary to verify that facilities and hooks can bear at least 10 times the weight of lamps and lanterns.
- Fix the safety rope at the correct holes only. Only operate the fixture after having checked that the housing is firmly closed and all screws are tightly fastened.
- The maximum ambient temperature 45°C must never be exceeded. Do not operate the product if the ambient temperature (Ta) exceeds 45° C (115° F).

Electrical Warning

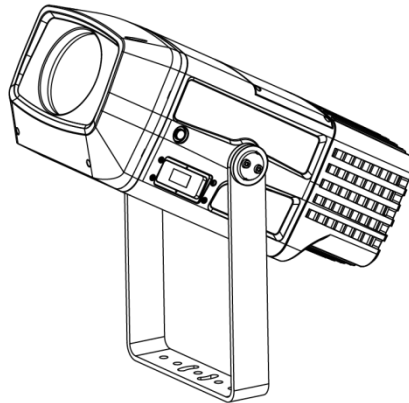
- The light source contained in this luminaire shall only be replaced by the manufacturer or his service agent or a similar qualified person

2 INSTALLATION

2.1 MOUNTING

HANGING

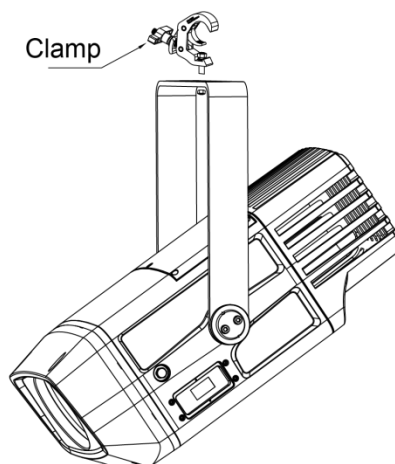
- ◆ You could place the light on the floor. Please make sure the surface is plane and the reliability of the floor is sufficient.
- ◆ Bolt a rigging clamp securely to the mounting yoke. The bolts used must be M12, grade 8.8 steel minimum, and fastened with a self-locking nut.



Horizontal layout

UPRIGHT

- ◆ For overhead use, always install a safety cable that can hold at least 10 times the weight of the fixture.
- ◆ For overhead installation, the fixture must be always secured with a safety wire that can bear at least 10 times the weight of the fixture; Secure the fixture with a safety cable through the rear safety eye as shown.
- ◆ Ensure that the structure (truss) to which you are attaching the fixture is secure



Hanging layout

2.2 POWER CONNECTIONS

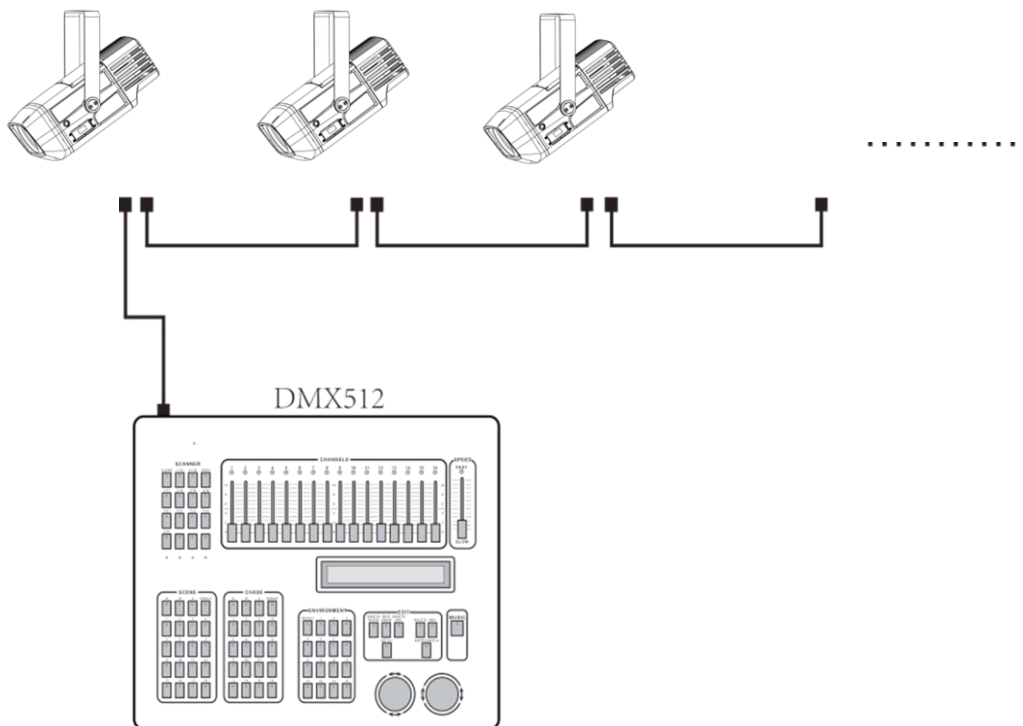
- ◆ This product has an auto-ranging power supply that can work with an input voltage range of 90–277V~, 50/60 Hz.

AC Plug

Connection	Wire (U.S.)	Wire(Europe)	Screw Color
AC Live	Black	Brown	Yellow/Brass
AC Neutral	White	Blue	Silver
AC Ground	Green/Yellow	Green/Yellow	Green

2.3 Data network requirements

- ◆ Connect the DMX512 controller to the units in series. A DMX 512 data link is required in order to control the fixture via DMX. The fixture has 3/5-pin XLR connectors for DMX data input and output.
- ◆ Each unit has N DMX channels so the DMX Addresses should increase by increments of 1, (Nx1)+1, (Nx2)+1, (Nx3)+1...
- ◆ Any DMX address in the range from 001 to 512 may be used.



3 FUNCTIONS AND SETTINGS

3.1 DISPLAY OPERATION

- ◆ MENU: Used to access the menu or to return a previous menu option;
- ◆ ENTER: Used to select and store the current menu or confirm the current function value or option within a menu;
- ◆ UP: Navigates downwards through the menu list and increases the numeric value when in a function;
- ◆ DOWN: Navigates upwards through the menu list and decreases the numeric value when in a function;

3.2 Menu Map

ADDRESS	001 - 512(Default 001)		Set the DMX ADDRESS
PERSON	STANDARD(Default)		Use the menu to select desired channel mode
	BASIC		
RUNMODE	DMX512(Default)		[DMX] Using the DMX 512 controller to control;[SLAVE] Master--Slave operation.
	AUTO		
	CUSTOM1		
	CUSTOM2		
OPTION	DIMMER	DIM4(Default)	Dimming curves OFF (fast) to DIM4 (slow);
		OFF	
	DMX ERROR	SAVE(Default)	Hold after loss of DMX signal
		BLACK	Blackout after loss of DMX signal
	PWM	1200HZ(Default)	Sets the PWM frequency
		2400HZ	
		4000HZ	
		6000HZ	
		25000HZ	
	PERFORM	STUDIO	Fan mode low speed
		POWER	Fast rotation of fan, all power
		LIVE(Default)	Automatic rotation of fan
	DISP KEY	ON(Default)	Locks display (passcode is UP\DOWN\UP\DOWN\ENTER)
		OFF	
	DISP TIME	ON	Turns off display backlight after 10s/30s/2min of inactivity
		10s	
		30s(Default)	
		2min	
	DISP TURN	AUTO	Auto Turn
		OFF	No inversion
LOAD PARA	NO(Default)	Upload data	
	YES	Not upload data	
SETTING	RECOVERY	****	Restore default factory settings.

		CLEAN EDIT1	****	Clean customer self-editing scene 1	
		CLEAN EDIT2	****	Clean customer self-editing scene 2	
	WDMX RESET	NO(Default)		Do not clear the receiver's message	
		YES		Clear the receiver's message	
	SIGNAL	ONLY XLR(Default)		ONLY XLR is wire only	
		XLR FIRST		XLR FIRST is wire first	
		ONLY WDMX		ONLY WDMX is wireless only	
		WDMX FIRST		WDMX FIRS is wireless first	
		WDMX TO DMX		WDMX TO DMX is wireless to wired	
	LANGUAGE	CHINESE		LANGUAGE	
		ENGLISH(Default)			
	EDIT	EDIT 1-2	STEP (01-30)	CMY-C	0-255
CMY-M				0-255	
CMY-Y				0-255	
CTO				0-255	
COLOR				0-255	
ANIMATION				0-255	
ANIMA_ROT				0-255	
ROTA GOBO1				0-255	
GOBO1 ROTA				0-255	
ROTA GOBO2				0-255	
GOBO2 ROTA				0-255	
FROST				0-255	
PRISM				0-255	
FOCUS				0-255	
ZOOM				0-255	
DIMMER				0-255	
STROBE	0-255				
TIME	0-255	0-255(Multiply by 0.1s)			
USE	YES/ NO	Select YES to run the steps user need.			
MANUAL	AUTO TEST			Auto Test channel	
	MANUAL TEST	CMY-C	0-255	Manual control channel	
		CMY-M	0-255		
		CMY-Y	0-255		
		CTO	0-255		
		COLOR	0-255		
		ANIMATION	0-255		
		ANIMA_ROT	0-255		
		ROTA GOBO1	0-255		
		GOBO1 ROTA	0-255		
		ROTA GOBO2	0-255		
		GOBO2 ROTA	0-255		
		FROST	0-255		
		PRISM	0-255		
FOCUS	0-255				

		ZOOM	0-255	
		DIMMER	0-255	
		STROBE	0-255	
	DEBUG HIDE	NO		Factory testing mode. All stepper motors are not controlled by signal, It only works again after the reset.
		YES		
	RESET	ALL RESET		Select Yes/No to carry out all reset
		ZOOM/FOCUS SYS		ZOOM/FOCUS reset
		COLOR SYS		COLOR reset
		OTHER		ANIMATION GOBO1 GOBO2 reset
INFO	FIXTURE HOURS			Hours of fixture use
	TEMPERATURE			LED temperature
	VERSION			Software versions
	RDM	UID		Check fixture's ID
		LABEL		Check fixture's LABEL
	SYSTEM ERROR	Memory IC		Memory IC
		Angle Sensor		Angle Sensor
		Temperature		Temperature
		CMY-C Reset		CMY-C Reset
		CMY-M Reset		CMY-M Reset
		CMY-Y Reset		CMY-Y Reset
		CTO Reset		CTO Reset
		Color Reset		Color Reset
		GOBO1 Rst		GOBO1 Reset
		GOBO2 Rst		GOBO2 Reset
		Anima Rst		Anima Reset
		Frost Rst		Frost Reset
		Prism Rst		Prism Reset
		Focus Rst		Focus Reset
	Zoom Rst		Zoom Reset	
SERVICE	****	CMY-C	±127	CMY-C position fine adjustment
		CMY-M	±127	CMY-M position fine adjustment
		CMY-Y	±127	CMY-Y position fine adjustment
		CTO	±127	CTO position fine adjustment
		COLOR	±127	Color position fine adjustment
		ANIMATION	±127	ANIMATION position fine adjustment
		ROTA GOBO1	±127	ROTA GOBO1 position fine adjustment
		GOBO1 ROTA	±127	GOBO1 ROTA position fine adjustment
		ROTA GOBO2	±127	ROTA GOBO2 position fine adjustment
		GOBO2 ROTA	±127	GOBO2 ROTA position fine adjustment
		FROST	±127	FROST position fine adjustment
		PRISM	±127	PRISM position fine adjustment
		FOCUS	±127	FOCUS position fine adjustment
		ZOOM	±127	Zoom position fine adjustment

4 USING A DMX512 CONTROLLER

4.1 DMX CONTR

STANDARD CHANNEL	BASIC CHANNEL	VALUE	FUNCTION
1	1	000-255	Master Dimmer
2	-	000-255	Master Dimmer Adjustmen
3	2	STROBE	
		000-009	NO FUNCTION
		010-099	STROBE (FROM SLOD TO FAST)
		100-109	NO FUNCTION
		110-179	LIGHTNING STROBE
		180-189	NO FUNCTION
		190-255	RANDOM STROBE
4	3	000-255	CYAN
5	4	000-255	MAGENTA
6	5	000-255	YELLOW
7	6	000-255	CTO
8	7	CMY Macro	
		000-019	No Function
		020-021	3000K
		022-023	3200K
		024-025	3500K
		026-027	4000K
		028-029	4500K
		030-031	5000K
		032-033	5400K
		034-035	5600K
		036-037	6000K
		038-039	6500K
		040-041	7000K
		042-043	L106
		044-045	L194
		046-047	L019
		048-049	R08
		050-051	L213
		052-053	R80
		054-055	L202
056-057	L328		
058-059	R3314		
060-061	L101		
062-063	L768		
064-255	MACRO EFFECT R->G->B->R		
9	8	COLOR WHELL 6+1	

		000-007	WHITE
		008-015	COLOR 1
		016-023	COLOR 2
		024-031	COLOR 3
		032-039	COLOR 4
		040-047	COLOR 5
		048-055	COLOR 6
		056-191	COLOR WHELL 0-360°
		192-222	COLOR WHELL RAINBOW EFFECT(SPEED 100%->1)
		223-224	STOP
		225-255	COLOR WHELL RAINBOW EFFECT(SPEED 1->100%)
10	-	000-255	COLOR WHELL FINE
11	9	ROTATING GOBO1 7+1	
		000-010	WHITE
		011-018	GOBO 1
		019-026	GOBO 2
		027-034	GOBO 3
		035-042	GOBO 4
		043-050	GOBO 5
		051-058	GOBO 6
		059-066	GOBO 7
		067-074	ROTATING GOBO 1 SHAKE (SPEED 1 → 100%)
		075-082	ROTATING GOBO 2 SHAKE (SPEED 1 → 100%)
		083-090	ROTATING GOBO 3 SHAKE (SPEED 1 → 100%)
		091-098	ROTATING GOBO 4 SHAKE (SPEED 1 → 100%)
		099-106	ROTATING GOBO 5 SHAKE (SPEED 1 → 100%)
		107-114	ROTATING GOBO 6 SHAKE (SPEED 1 → 100%)
		115-122	ROTATING GOBO 7 SHAKE (SPEED 1 → 100%)
		123-127	WHITE
		128-190	ROTATING GOBO FLOWING WATER EFFECT (SPEED 100 → 1%)
191-192	STOP WATER EFFECT		
193-255	ROTATING GOBO FLOWING WATER EFFECT (SPEED 1 → 100%)		
12	10	GOBO1 ROTATING	
		000-120	ROTATING GOBO ANGLE ADJUSTMENT (0 → 360°)
		121-125	STOP
		126-165	ROTATING GOBO SHAKE (SPEED 1 → 100%)
		166-170	STOP
		171-210	ROTATING GOBO POSITIVE ROTATION (SPEED 100% → 1)
		211-215	STOP

		216-255	ROTATING GOBO REVERSE ROTATION (SPEED 1 → 100%)
13	-	000-255	GOBO1 ROTATING FINE
14	11	ROTATING GOBO2 7+1	
		000-010	WHITE
		011-018	GOBO 1
		019-026	GOBO 2
		027-034	GOBO 3
		035-042	GOBO 4
		043-050	GOBO 5
		051-058	GOBO 6
		059-066	GOBO 7
		067-074	ROTATING GOBO 1 SHAKE (SPEED 1 → 100%)
		075-082	ROTATING GOBO 2 SHAKE (SPEED 1 → 100%)
		083-090	ROTATING GOBO 3 SHAKE (SPEED 1 → 100%)
		091-098	ROTATING GOBO 4 SHAKE (SPEED 1 → 100%)
		099-106	ROTATING GOBO 5 SHAKE (SPEED 1 → 100%)
		107-114	ROTATING GOBO 6 SHAKE (SPEED 1 → 100%)
		115-122	ROTATING GOBO 7 SHAKE (SPEED 1 → 100%)
		123-127	WHITE
		128-190	ROTATING GOBO FLOWING WATER EFFECT (SPEED 100 → 1%)
191-192	STOP WATER EFFECT		
193-255	ROTATING GOBO FLOWING WATER EFFECT (SPEED 1 → 100%)		
15	12	GOBO2 ROTATING	
		000-120	ROTATING GOBO ANGLE ADJUSTMENT (0 → 360°)
		121-125	STOP
		126-165	ROTATING GOBO SHAKE (SPEED 1 → 100%)
		166-170	STOP
		171-210	ROTATING GOBO POSITIVE ROTATION (SPEED 100% → 1)
		211-215	STOP
		216-255	ROTATING GOBO REVERSE ROTATION (SPEED 1 → 100%)
16	-	000-255	GOBO2 ROTATING FINE
17	13	Dynamic Effect wheel Location	
		000-255	Dynamic Effect wheel Location
18	14	Dynamic Effect wheel Autorotation	
		000-010	No Function
		011-131	Dynamic Effect Wheel Flow Effect, Clockwise, fast to slow
		132-134	Stop
		135-255	Dynamic Effect Wheel Flow Effect, Anticlockwise,

			slow to fast
19	15	PRISM	
		000-010	WHITE
		011-155	PRISM INSERT AND ADJUST THE ANGLE (0 → 360°)
		156-157	STOP
		158-205	PRISM INSERT AND POSITIVE ROTATION (SPEED 100% → 1)
		206-207	STOP ROTATION
		208-255	PRISM INSERT AND REVERSE ROTATION (SPEED 1 → 100%)
20	16	FROST LENS	
		000-255	FROST LENS (0-100%)
21	17	000-255	ZOOM
22	-	000-255	ZOOM FINE
23	18	000-255	Focus
24	-	000-255	Focus FINE
25	19	AUTO FOCUS	
		000-012	NO FUNCTION
		013-039	5M
		040-066	7M
		067-093	9M
		094-120	11M
		121-147	13M
		148-174	15M
		175-201	17M
		202-228	19M
229-255	21M		
26	20	CONTROL (EXECUTE AFTER 3 SECONDS)	
		000-010	NO FUNCTION
		011-060	RESERVED
		061-070	STUDIO
		071-080	POWER
		081-090	LIVE
		091-100	RESERVED
		101-110	DIMMER OFF
		111-120	DIMMER DIM4
		121-150	RESERVED
		151-160	1200Hz
		161-170	2400Hz
		171-180	4000Hz
		181-190	6000Hz
		191-200	25000Hz
201-210	ALL RESET		
211-220	COLOR RESET		

		221-230	ZOOM/FOCUS RESET
		231-240	GOBO/EFFECT WHEEL RESET
		241-255	RESERVED