

NEPTUNE L380 B

SS9471SCM-PRO



PRODUCT INTRODUCTION

NEPTUNE L380 B is a 260W LEP source waterproof beam moving head light. 230mm super large light-emitting lens, 1° extremely narrow beam angle, close to parallel beam, beam diameter is only 0.87 meters at a distance of 100 meters, and the illuminance is about 20000lux. The beam is stronger and sharp edges, and the beam formed by high-efficiency optics is like a bright beam. It is suitable for urban landscape, cultural tourism lighting, concerts, theme parks and other places.

PRODUCT PARAMETERS

Optical system

Light source 260W LEP
Angle 1.0°

Appearance

Size 416x358x712mm
Weight 36.9kg
Casing Magnalium and Die-cast
Color Black

Electrical Specs

Voltage AC100-240,50/60Hz
Max. Power 380W
Power Connection power in
Signal socket 3pin or 5pin in and out, RJ45 in and out

Control System

Pan/Tilt rotation 540°/270°(8-16bit)
Dimmer 0-100%16Bit
Cooling Forced Convection
Control DMX512, RDM, ARTNET, SACN, W-DMX (optional) , Web Server

Display On Board Control, Custom Mode, 0-25Hz Strobe
Con Personality STANDARD(17CHS)、BASIC(13CHS)、EXTEND(19CHS)

Effect synthetic system

Static Gobo Static gobo wheel (29 gobos+white)
Colors One color wheel (19 color+white, rainbow-flow effect)
CTO+CTB 3000K/8000K CTO+CTB
Prism One 16 prism, bidirectional rotating, speed can be adjusted

Linear prism 1pcs linear 6F prism, bidirectional rotating, speed can be adjusted
Focus Motorized linear focus
Frost 1 Frost filter

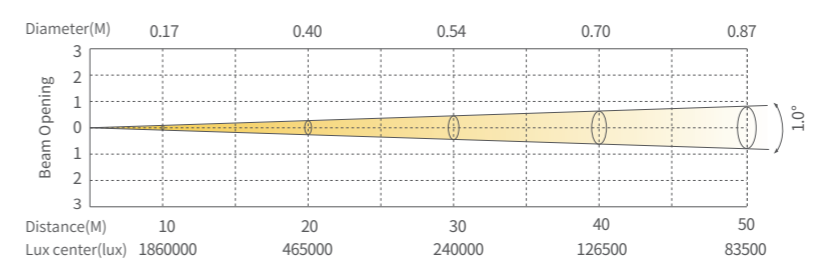
Certification

CE

Work Environment

Ambient Temp -20°C-45°C
IP Rated IP65

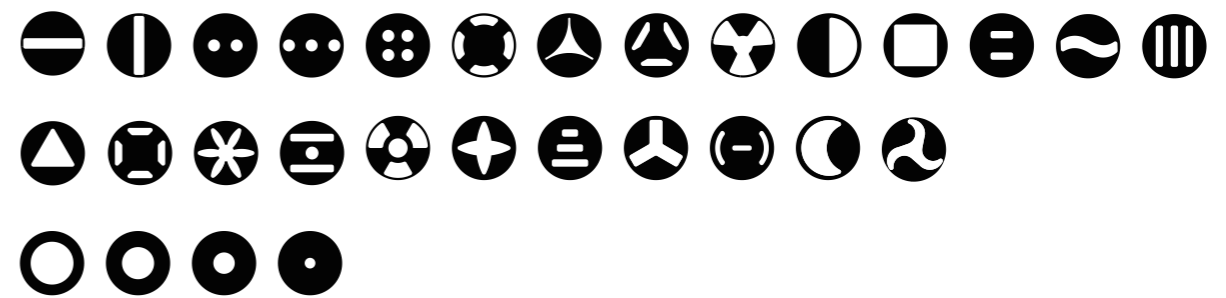
ILLUMINANCE AT DISTANCE



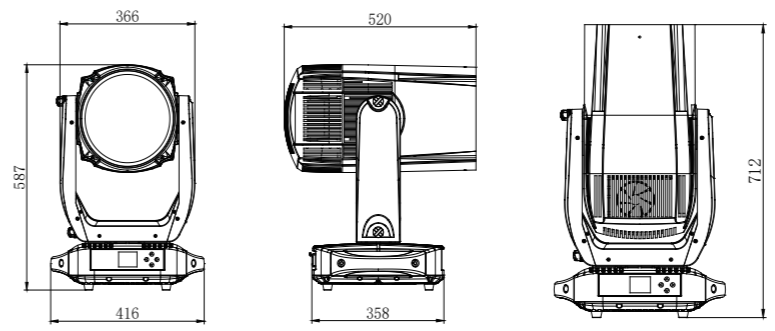
COLOR



STATIC GOBOS



DIMENSIONS



Flight Case (1320400262)
Wireless receiver Kit (2440010465)