

# F6

## FREZNO ze-3HD



### PRODUCT INTRODUCTION

This fixture is specialized designed for Theater, TV, and Studio. High powerful light, High CRI, Continuation of energy conservation and environmental protection. High efficient brand idea. Electronic zoom 15°-60°, 16bit dimmer smooth, no shake.

### PRODUCT PARAMETERS

#### Optical system

##### SS811SW HD/SC HD

Light source	300W LED
CCT	3200K, 5600K
CRI	Ra:98
CQS	96
TLCI	98
Angle	15°-60°

#### Appearance

Size	485x333x322mm
Weight	7.8kg
Casing	Extruded aluminum
Color	Black

#### Electrical Specs

Voltage	AC100-240V, 50/60Hz
Max. Power	300W
Power Connection	Power in and out
DMX XLR	DMX in and out

#### Control System

Dimmer	0-100% 16Bit
Cooling	Forced Convection
Control	DMX512
Display	On board Control, 0-25Hz Strobe

Con Personality UNO(1CHS)、DOS(2CHS)、STD.P(5CHS)

#### Certification

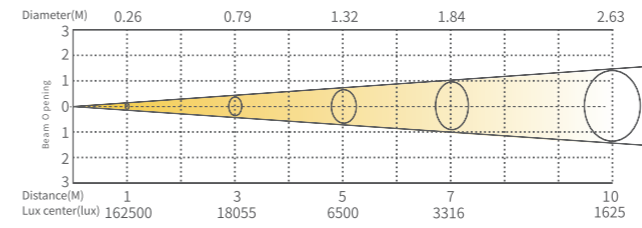
CE、MET

#### Work Environment

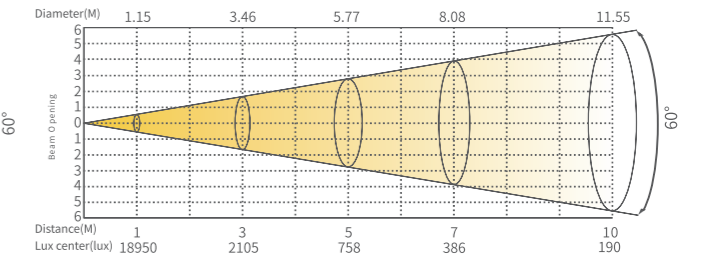
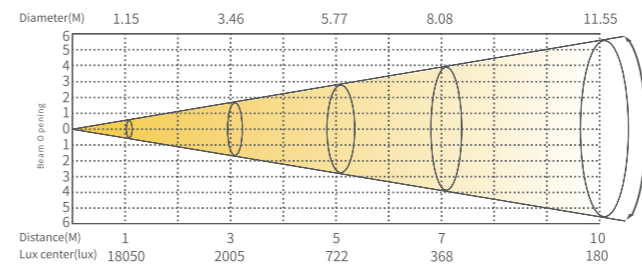
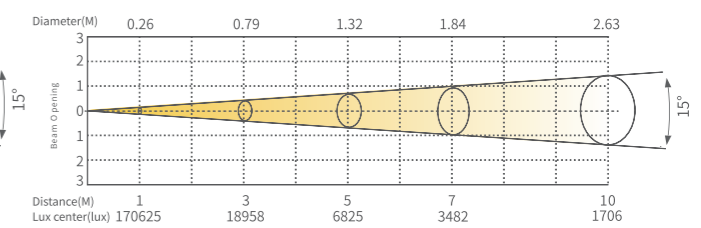
Ambient Temp	0°C-45°C
IP Rated	IP20

### ILLUMINANCE AT DISTANCE

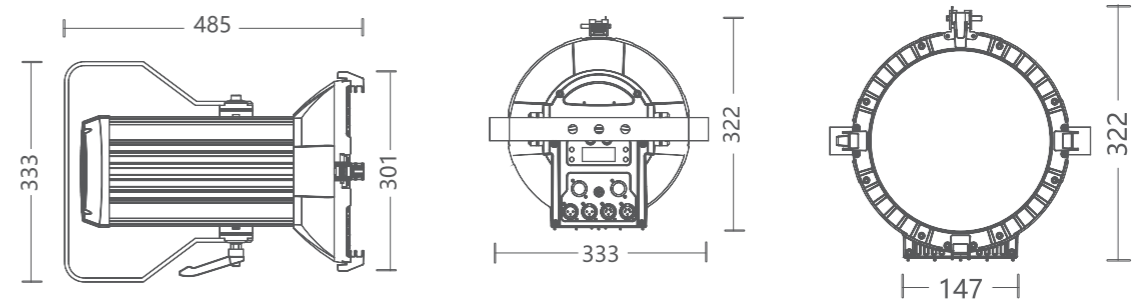
#### SS811SW HD



#### SS811SC HD



### DIMENSIONS



### ACCESSORIES (Accessories not included unless otherwise stated)

