

FP3

AURORA 150 HEX



PRODUCT INTRODUCTION

AURORA 150 HEX It's an innovative with classic one homogeneous lens optic spotlight, with classic one big homogeneous lens optic, excellent color mixing, HSIC system makes color mixing simple and easy; Precise pre-set CCT 1800-8000K, high CRI >93. It is an ideal dream tool for TV, theater, opera, studio, exhibition, Motor Show, multi-functional hall and so on.

PRODUCT PARAMETERS

Optical system

| | |
|--------------|--------------------|
| Light source | 150W (RGBALC) |
| CCT | 1800K-8000K |
| Angle | 16° (25° optional) |
| CRI RA | 95 CRI R9 96 |
| TLCI | 76 CQS 94 |

Appearance

| | |
|--------|-------------------|
| Size | 320x217x418mm |
| Weight | 6.5kg |
| Casing | Die-cast aluminum |
| Color | Black |

Electrical Specs

| | |
|------------------|--------------------|
| Voltage | AC100-240V,50/60Hz |
| Rated Power | 143W |
| Power Connection | Power in and out |
| DMX XLR | DMX in and out |

Control System

| | |
|---------|-------------------|
| Dimmer | 0-100%16Bit |
| Cooling | Forced Convection |
| Control | DMX512, RDM |

| | |
|-----------------|---|
| Display | On board Control , Custom Mode , 0-25Hz Strobe |
| Con Personality | Basic (3CHS) , SSP (8CHS) , TOUR (13CHS) , TR16 (20CHS) , HSIC (7CHS) , CMY (10CHS) |

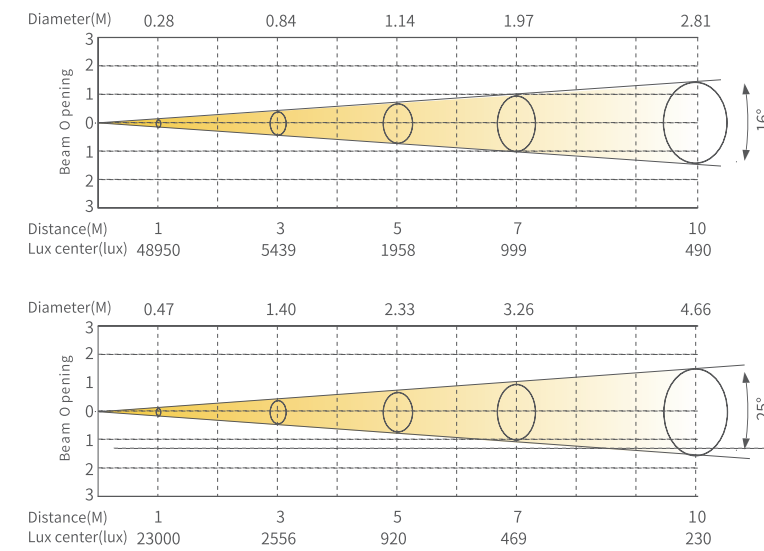
Certification

CE, MET

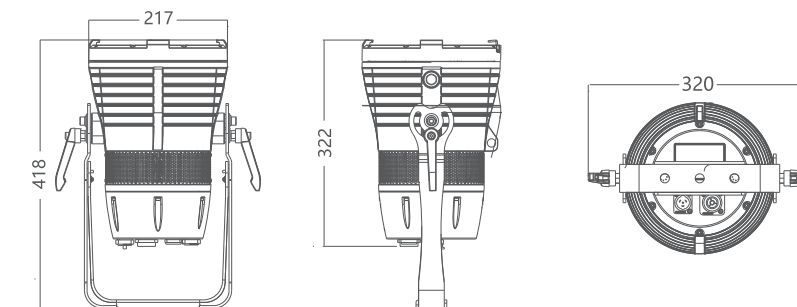
Work Environment

| | |
|--------------|------------|
| Ambient Temp | -20°C-45°C |
| IP Rated | IP65 |

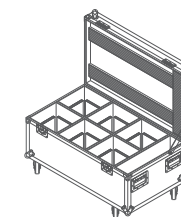
ILLUMINANCE AT DISTANCE



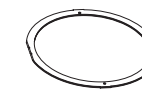
DIMENSIONS



ACCESSORIES (Accessories not included unless otherwise stated)



6/1 Flightcase
(1320400244)



Accessory holder
(2440010662)