

FH6

FREZNO 250 HEX



PRODUCT INTRODUCTION

FREZNO 250 HEX is a full-color Fresnel, with extremely uniform color mixing and high CRI. It has high-tech CCS intelligent color management system, to correct the color difference problem. 0-100% dimmer, Beam angle 10°-60° (Manual control), Field angle 18°- 88°, rapid and convenient adjustment. The best choice for small and medium-sized application, such as the cultural centers, studio, theatre, television, and multi-functional conference room, etc.

PRODUCT PARAMETERS

Optical system

Light source	250W (RGBALC)		
CCT	1800K-10000K		
Beam angle	10°-55°		
Field angle	18°-88°		
CRI RA	95	CRI R9	90
TLCL	85	CQS	95

Appearance

Size	375x254x393mm
Weight	8.8kg
Casing	Die-cast aluminum
Color	Black

Electrical Specs

Voltage	AC100-240V, 50/60Hz
Max. Power	250W
Power Connection	Power in and out
DMX XLR	3pin or 5pin in and out

Control System

Dimmer	0-100% 16Bit
Cooling	Forced convection
Control	DMX512, RDM
Display	On board Control , Custom Mode , 0-25Hz Strobe, Dimming knob
Con Personality	Basic (3CHS) , CLR (6CHS) , SSP (9CHS) , TOUR (13CHS) , TR16 (20CHS) , HSIC (7CHS)

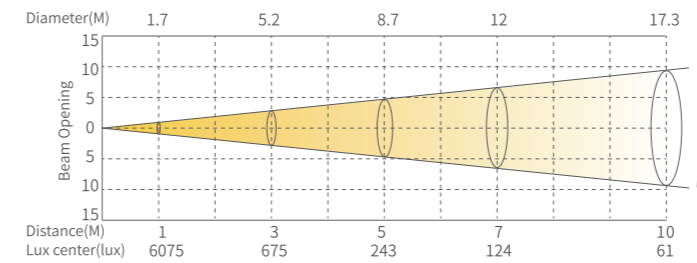
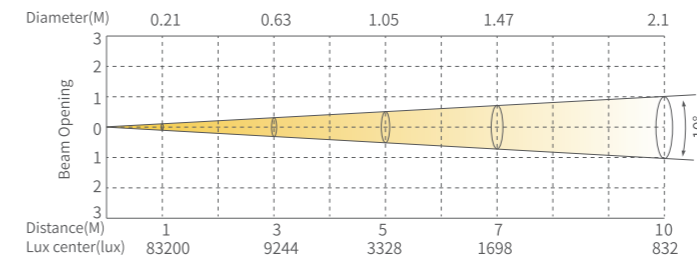
Certification

CE, MET

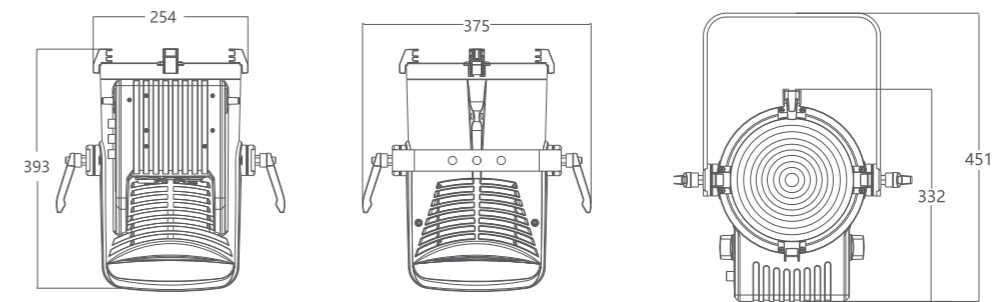
Work Environment

Ambient Temp	0°C-45°C
IP Rated	IP20

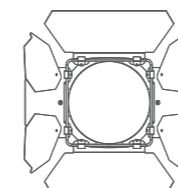
ILLUMINANCE AT DISTANCE



DIMENSIONS



ACCESSORIES (Accessories not included unless otherwise stated)



Barn doors
(6813100036)