

ST2 TRACER



PRODUCT INTRODUCTION

TRACER is a new type pure manual control follow spot, with 250W customized high-efficient LED module, delicate design fully consider of the human operate habits; Super flexible control including the dimmer, iris, zoom, focus, color change; Precise zoom range 10-20 projection stay sharp and clear on any angles; Smart structure design separate the heat-sink an optic system, easy and convenient for clean and maintenance. The TRACER is born for the small-medium size theatre, auditorium, church, banquet hall. Rental house application.

PRODUCT PARAMETERS

Optical system

Light source	250W LED
CCT	5600K
CRI	Ra≥90
Angle	10°-20° (Manual Zoom)

Appearance

Size	1136x353x436mm
Weight	23kg
Casing	Metal
Color	Black

Electrical Specs

Voltage	100-240VAC,50/60Hz
Max. power	230W
Power Connection	Power in

Control System

Dimmer	0-100%16Bit
Cooling	Forced Convection
Control	Dimmer, Iris, Zoom, Focus, Boomerang

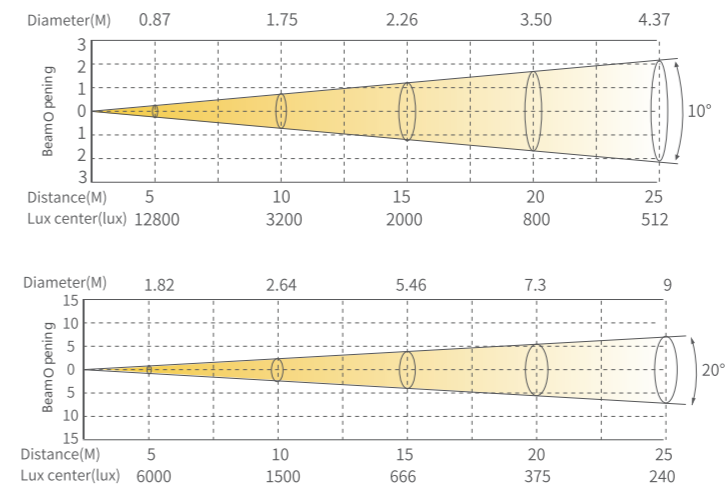
Certification

CE, MET

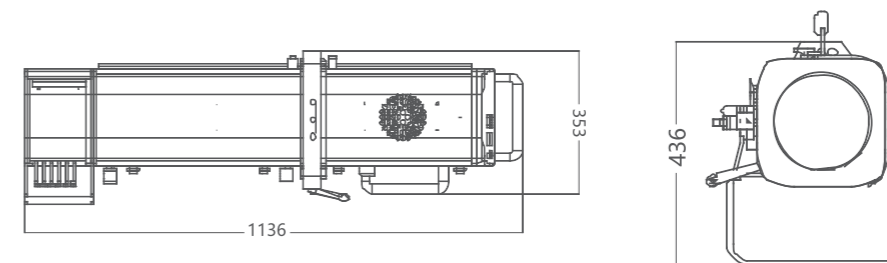
Work Environment

Ambient Temp	0-45°C
IP Rated	IP20

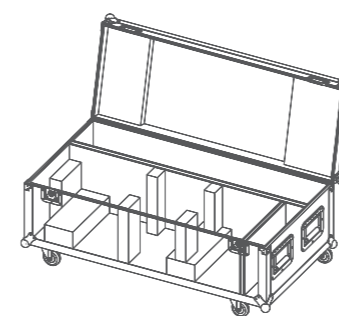
ILLUMINANCE AT DISTANCE



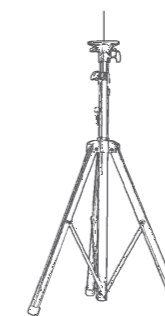
DIMENSIONS



ACCESSORIES (Accessories not included unless otherwise stated)



Flight case
(1320400162)



Follow light tripod
(2440010650)

STAGER

DMX WHITE