

M2

MOONLIGHT 150 HEX



PRODUCT INTRODUCTION

MOONLITE 150 HEX is a creative houselight, with high-efficient optics system, excellent color mixing, simple and easy HSIC color mixing system, precise CCT 1800K-8000K. It is an ideal tool for TV, studio, functional hall, exhibition, carshow, theater, opera etc.

PRODUCT PARAMETERS

Optical system

Light source	150W (RGBALC)
CCT	1800K-8000K
Angle	30° (18°, 50° optional)
CRI RA	95 CRI R9 82
TLCI	80 CQS 95

Appearance

Size	238x170x432mm
Weight	8.5kg
Casing	Die-cast aluminum
Color	Black

Electrical Specs

Voltage	AC100-240V, 50/60Hz
Rated Power	150W
Power Connection	Power in
DMX XLR	3pin or 5pin in and out

Control System

Dimmer	0-100%16Bit	Display	On board Control, Custom Mode, 0-25Hz Strobe
Cooling	Direct Convection	Con Personality	HSIC (7CHS), SSP (8CHS), TOUR (13CHS), TR16 (20CHS), CMY (8CHS)
Control	DMX512, RDM		

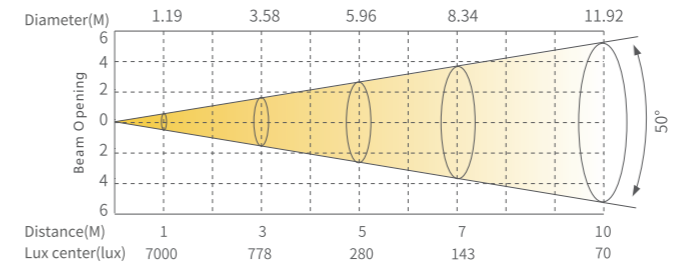
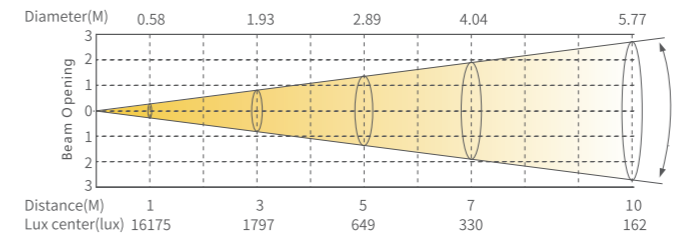
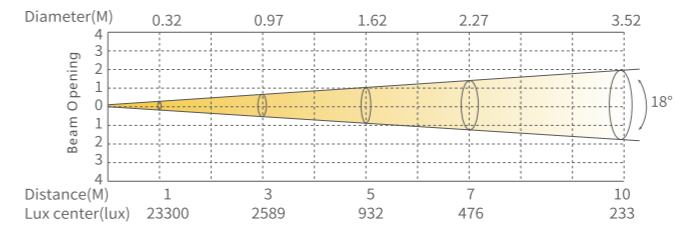
Certification

CE, MET

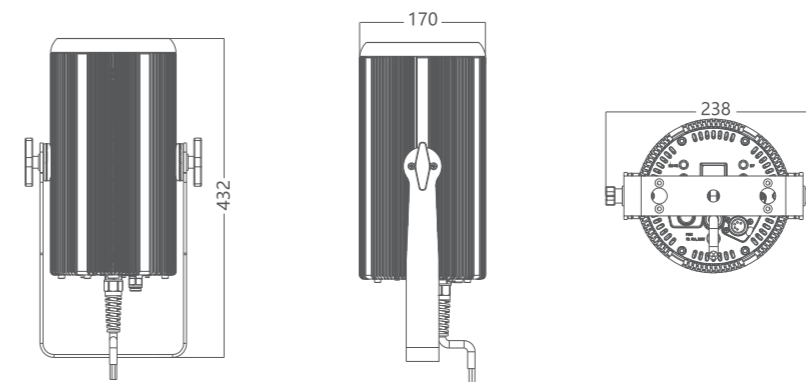
Work Environment

Ambient Temp	0-45°C
IP Rated	IP20

ILLUMINANCE AT DISTANCE



DIMENSIONS



ACCESSORIES (Accessories not included unless otherwise stated)

Gel frame assembly
(2440010702)

Aluminum parts
(4600000348)

Wireless DMX assembly
(2440010702)