

FD3

FREZNO 100 SD



PRODUCT INTRODUCTION

FREZNO 100 SD is a professional theatrical fresnel with high CRI >95, manual zoom 10-60°, and uniform light output. The control protocol integrates DMX, RDM, and Triac, and the application is more extensive and flexible. It is the best choice for theaters, TV, Studio...etc.

PRODUCT PARAMETERS

Optical system

SS5232SWD	
Light source	100W
Angle	10-60°
CCT	3200K
CRI	96.1
CRI R9	95
TLCI	96
CQS	96

SS5232SCD	
Light source	100W
Angle	10-60°
CCT	5600K
CRI	96.1
CRI R9	95
TLCI	96
CQS	96

Appearance

Size	324x281x389mm
Weight	6.1kg
Casing	Die-cast aluminum
Color	Black

Control System

Dimmer	0-100%16Bit
Cooling	Forced Convection
Control	DMX512、RDM、Dimming Pack Control
Display	On board Control, 0-25Hz Strobe
Zoom	Manual
Con Personality	UNO(1CH)、DOS(2CHS)、STD.P(3CHS)

Electrical Specs

Voltage	AC100-240V
Max. Power	100W
Power Connection	Power in and out
DMX XLR	DMX in and out

Work Environment

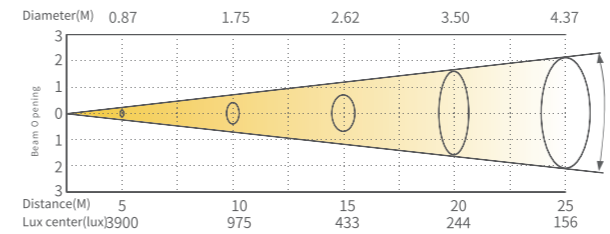
Ambient Temp	0°C-45°C
IP Rated	IP20

Certification

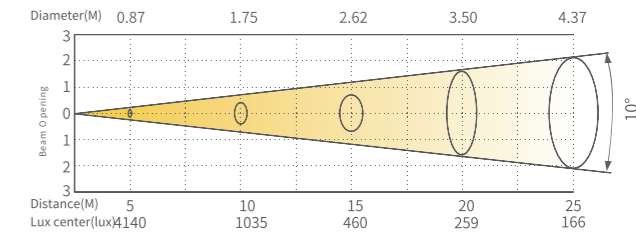
CE、MET

ILLUMINANCE AT DISTANCE

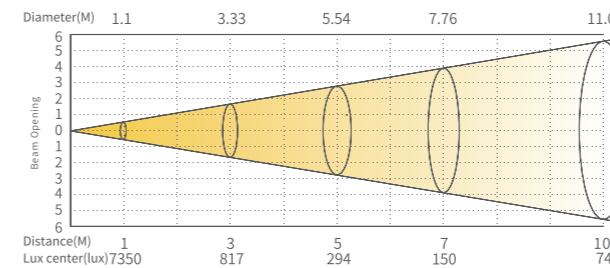
SS5232SWD



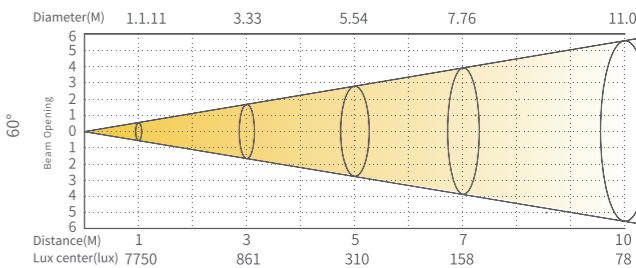
SS5232SCD



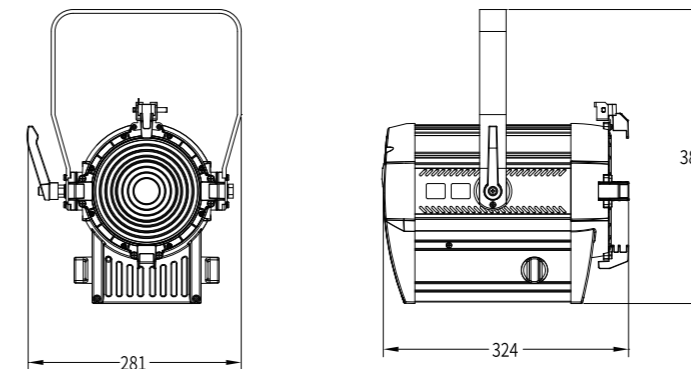
SS5232SWD



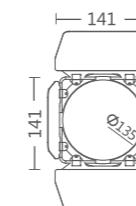
SS5232SCD



DIMENSIONS



ACCESSORIES (Accessories not included unless otherwise stated)



Barn doors
(6813100040)